

Excellent Integrated System Limited

Stocking Distributor

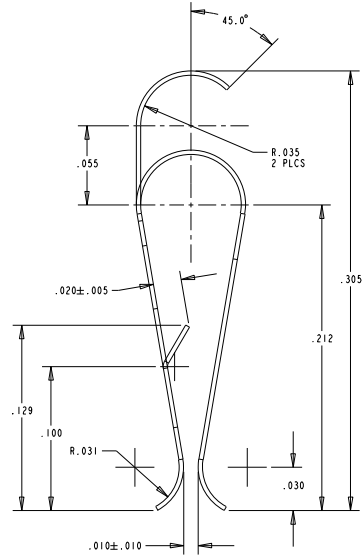
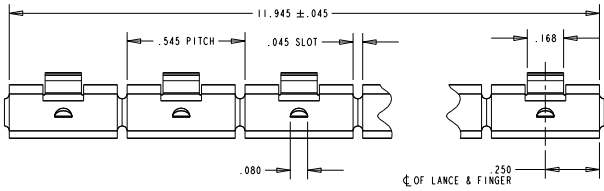
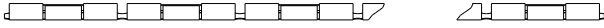
Click to view price, real time Inventory, Delivery & Lifecycle Information:

[Laird Technologies EMI](#)
[0097065502](#)

For any questions, you can email us directly:

sales@integrated-circuit.com

DWG. NO: 0097-0655	
REVISIONS	
WAS PHOTO ETCH PROCESS TOD MAT'L WIDTH WAS 8.0 8.45 WAS 8.02 ECN #8316 EWS 7-18-93 EWS 7-19-93	02
ECO-E4310 ADDED 2 PLCS TO ±.035 DIMENSION. PMM 03/12/04 EWS 03/15/04	03
ECO-E4973 ADDED ±.045 TOL TO LENGTH PMM 03/31/05 EWS 03/31/05	04



SCALE 20.000

MAT'L CODE: C172002054

MATERIAL: .0035±, 00015 X .700±, 003 BE CU ALLOY 25 1/4 HARD ENDURANCE GRADE	TOLERANCES NOT SHOWN DECIMAL 2 PL'S ± .015 DECIMAL 3 PL'S ± .010	 DEARBORN WATER GAP PENNSYLVANIA	DRAWN BY: TNG	DATE: 4/6/93
HEAT TREAT: TO DPH 373 MIN USING A 500 GRAM LOAD	ANGULAR ± 3°		CHECKED: EWS	DATE: 4/13/93
THICKNESS MEASUREMENTS CLEANING AND BEFORE PLATING .0025±, .0002	THIRD ANGLE PROJECTION	APPROVED: EWS	DATE: 4/14/93	
FINISH: AS REQ'D	UNITS: INCH SCALE: 3.000	PERPENDICULAR GROUNDING CONTACT		
CAD MAINTAINED DRAWING. MANUAL CHANGES UNAUTHORIZED.		REF. DWG. NO. X	DWG. NO. 0097-0655	REV 04

THIS INFORMATION IS CONFIDENTIAL AND PROPRIETARY TO LAIRD TECHNOLOGIES. IT MAY NOT BE DISCLOSED TO ANYONE, OTHER THAN LAIRD TECHNOLOGIES PERSONNEL, WITHOUT WRITTEN AUTHORIZATION FROM LAIRD TECHNOLOGIES.

DWG. NO: 0097-0655