

Excellent Integrated System Limited

Stocking Distributor

Click to view price, real time Inventory, Delivery & Lifecycle Information:

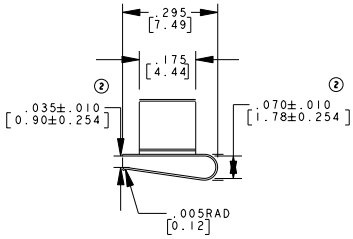
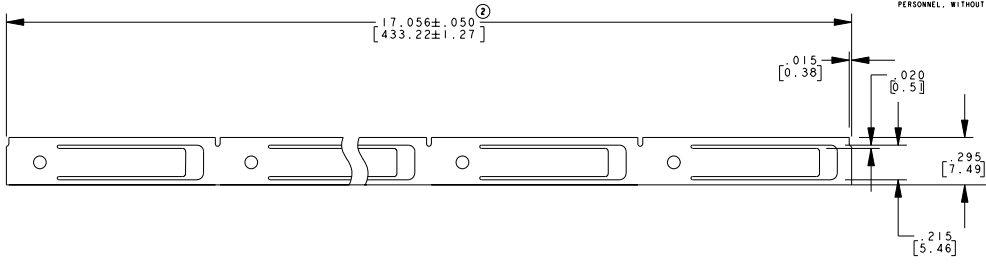
[Laird Technologies EMI](#)
[0097097602](#)

For any questions, you can email us directly:

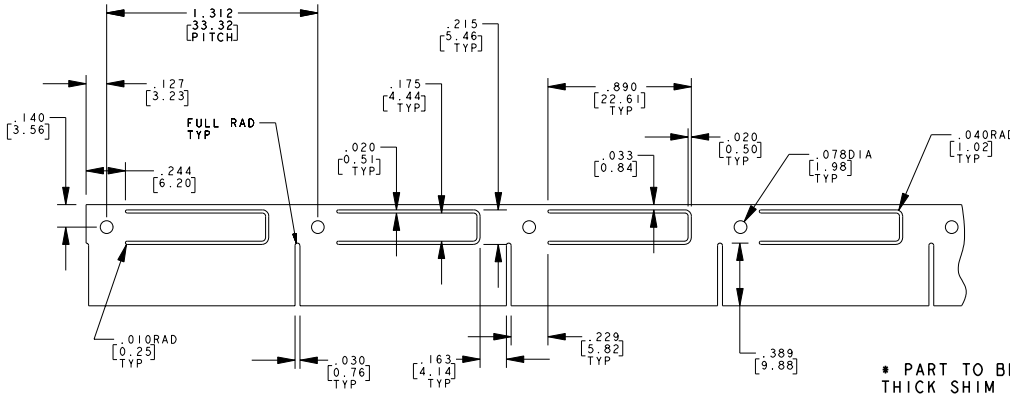
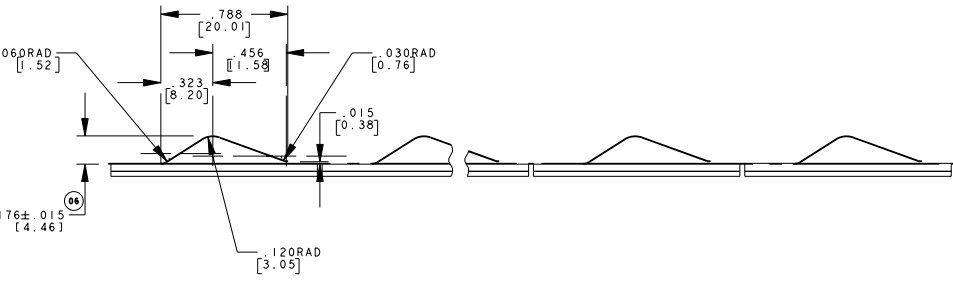
sales@integrated-circuit.com

THIS INFORMATION IS CONFIDENTIAL AND PROPRIETARY TO LAIRD TECHNOLOGIES. IT MAY NOT BE DISCLOSED TO ANYONE, OTHER THAN LAIRD TECHNOLOGIES PERSONNEL, WITHOUT WRITTEN AUTHORIZATION FROM LAIRD TECHNOLOGIES.

DWG. NO. 0097-0976



ENLARGED VIEW



* PART TO BE INSPECTED ON .062^② THICK SHIM

PARTIAL FLAT BLANK
TOLERANCING ON PHOTO ETCHED
BLANK IS TO BE ±.002

ADDED TOLERANCES TO 17.056, .035, AND .070 DIMS.	
ADDED NOTE ECN 9453 BMG 09/12/94	02
CORRECTED VIEWS ECN 9904 BMG 03/07/95 EWS 03/07/95	03
.629 WAS 8.0 ECO 1640 JL 05/05/97 RC 05/05/97	04
ADDED REF TO .176 DIM. ADDED NOTE TO .176 NO LOWER THAN .154 ECO 1723 EPO JL 05/23/97 RC 05/23/97	05
ECO-E5915 ADDED ±.015 TOL. TO DIM .176. RWM 03/27/07 EWS 03/28/07	06

MATERIAL: .0052 ± .0002 X .629 ± .003 BE CU ALLOY 25 1/2 HARD ENDURANCE GRADE	LBS/FM 19.90	TOLERANCES NOT SHOWN DECIMAL 2 PL'S ± .015 DECIMAL 3 PL'S ± .005	DRAWN BY: BMG DATE: 01/07/94
HEAT TREAT: TO DPH 383 MIN. USING A 500 GRAM LOAD		FRACTIONAL: ANGULAR: 3°	CHECKED BY: RC DATE: 01/20/94
THICKNESS AFTER CLEANING AND BEFORE PLATING: .00485 MIN.		BEND RADI: CORNER RADI: MAXIMUM BURR:	APPROVED BY: EWS DATE: 01/20/94
FINISH: [50 FT./IN]		LONGITUDINAL GROUNDING STRIP	REF. DWG. NO. SUB

