

Excellent Integrated System Limited

Stocking Distributor

Click to view price, real time Inventory, Delivery & Lifecycle Information:

[3M](#)
[239-5605-01-0602](#)

For any questions, you can email us directly:

sales@integrated-circuit.com

.050" (1.27 mm) x .075" (1.90 mm) Staggered ZIP Strip Sockets



- For devices with .050" (1.27 mm) lead centers formed in staggered rows with .100" (2.54 mm) between centers (in same rows) and .075" (1.90 mm) between rows
- Frequently used in pairs to handle devices with staggered leads on opposite sides of the package
- Order left and right hand strips to obtain a complete pair
- Lever actuated zero insertion force mechanism

Date Issued: February 20, 2001

TS-0453-09
Sheet 1 of 2

23

Physical

Insulation

Material: Glass Filled Polysulfone
Flammability: UL 94V-0
Color: Green

Marking: 3M Logo & Part Identification**Contact**

Material: Beryllium Copper
Plating: 30 μ m (0.76 μ m) Gold over 50 μ m (1.3 μ m) Nickel

Electrical

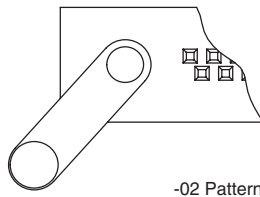
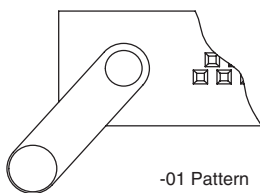
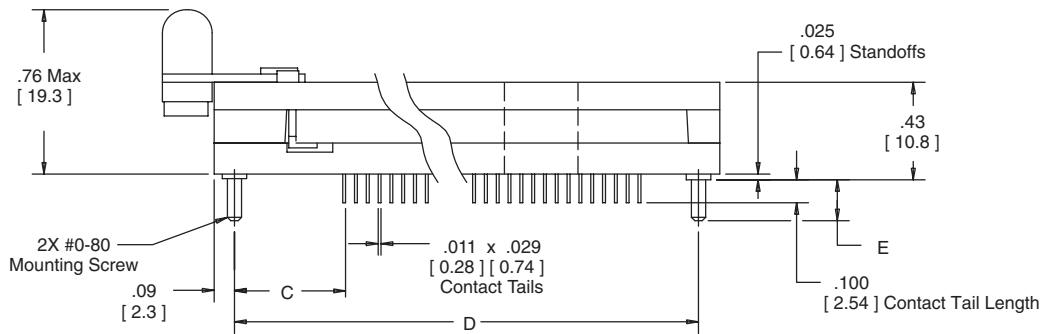
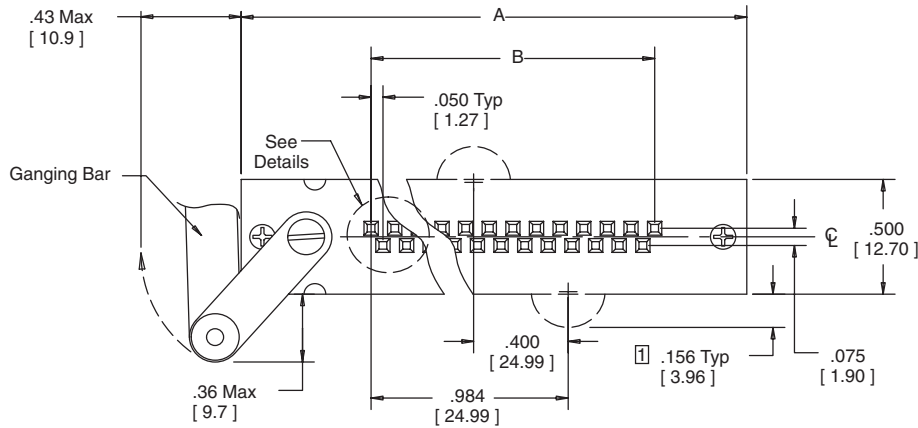
Current Rating: 1 Amp
Insulation Resistance: $> 1 \times 10^9 \Omega$ at 500 Vdc
Withstanding Voltage: 1000 Vrms at Sea Level

Environmental

Operating Temperature Rating: -55°C to +150°C**3M Electronic Handling and Protection Division**6801 River Place Blvd.
Austin, TX 78726-9000For technical, sales or ordering information call **800-328-0411**
or visit our website: <http://www.3M.com/ehpd>

.050" (1.27 mm) x .075" (1.90 mm) Staggered ZIP Strip Sockets

Contact Quantity	Dimensions				
	A	B	C	D	E
39	2.77 [70.3]	1.900 [48.26]	.460 [11.68]	2.59 [65.8]	.20 [5.1]
55	4.00 [101.6]	2.700 [68.58]	.677 [17.20]	3.80 [96.5]	.23 [5.8]



Dimension	Tolerance $\frac{\text{inch}}{\text{(mm)}}$	
	.00 (.0)	.000 (.00)
Tolerance	$\pm .010$ ($\pm .25$)	$\pm .005$ ($\pm .13$)

Notes:
 [1] Stabilizing ears are present only on the 55 position.

Ordering Information

Socket Part Number	Contact Quantity
239-5605-01-0602	39
239-5605-02-0602	39
255-7322-01-0602	55
255-7322-02-0602	55