

Excellent Integrated System Limited

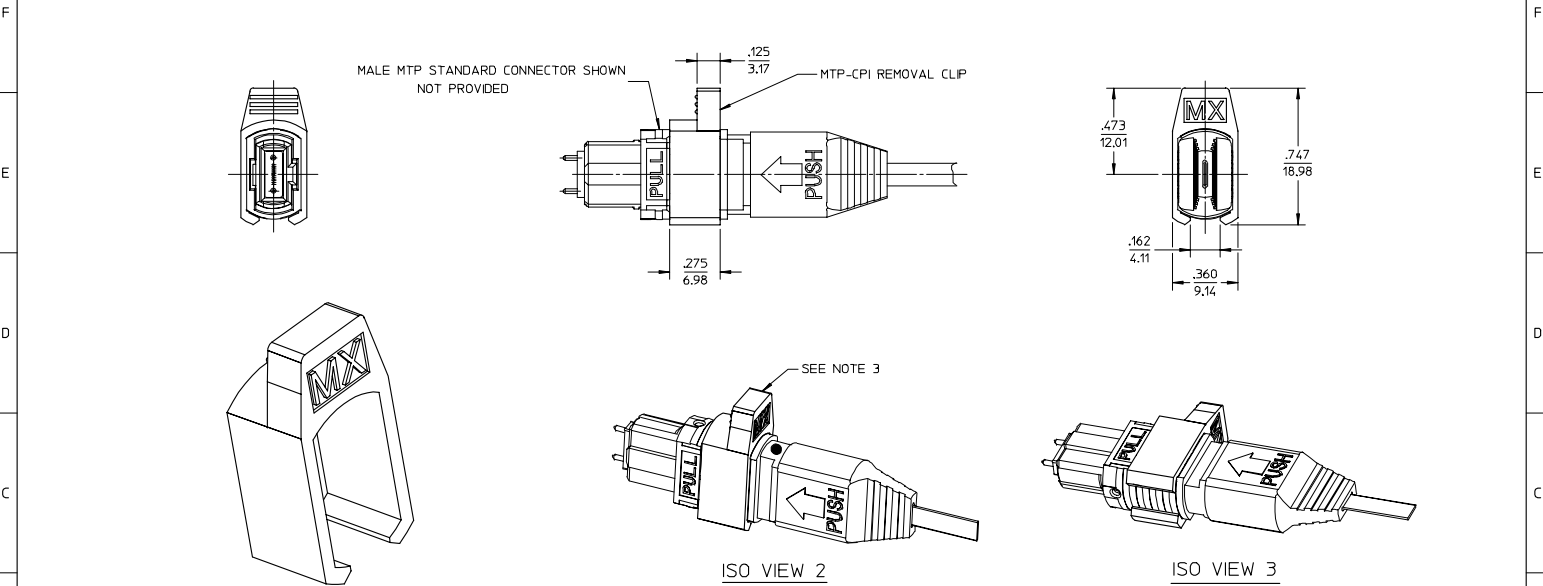
Stocking Distributor

Click to view price, real time Inventory, Delivery & Lifecycle Information:

[Molex Connector Corporation](#)
[1060880800](#)

For any questions, you can email us directly:
sales@integrated-circuit.com

10 9 8 7 6 5 4 3 2 106088



ISO VIEW 1
SCALE 4:1

ISO VIEW 2

ISO VIEW 3

NOTES:

1. ALL DIMENSIONS ARE IN IN/MM.
2. ALL DIMENSIONS ARE FOR REFERENCE.
3. IN ORDER TO INSURE PROPER FUNCTIONALITY SNAP MTP-CPI REMOVAL CLIP ONTO MTP CONNECTOR AS SHOWN IN ISO VIEW 2.
4. MTP-CPI REMOVAL CLIP NEEDS TO BE INSTALLED ONTO MTP CONNECTOR PRIOR TO INSERTING THE MTP CONNECTOR INTO MTP-CPI CONNECTOR.

ENTER DESCRIPTION EC NO: MF2006-0261 DRAWN BY: YB CHKD: SM APPR: IM DATE: 2006/01/04 DATE: 2006/01/04	QUALITY SYMBOLS ▽=0 ▽=0	GENERAL TOLERANCES (UNLESS SPECIFIED)		DIMENSION STYLE IN/MM	SCALE 2:1	DESIGN UNITS INCH	THIRD ANGLE PROJECTION	
		4 PLACES ±--- ±--- 3 PLACES ±--- ±--- 2 PLACES ±--- ±--- 1 PLACE ±--- ±--- ANGULAR ±---°	DRAWN BY: YB CHECKED BY: SM APPROVED BY: IM DATE: 12.28.05 DATE: 12.28.05 DATE: 12.28.05	TITLE MTP-CPI REMOVAL CLIP		MATERIAL NO. 1060880800		DOCUMENT NO. SD-106088-0800
A	DESCRIPTION REV	DRAFT WHERE APPLICABLE MUST REMAIN WITHIN DIMENSIONS		SIZE B	THIS DRAWING CONTAINS INFORMATION THAT IS PROPRIETARY TO MOLEX INCORPORATED AND SHOULD NOT BE USED WITHOUT WRITTEN PERMISSION			SHEET NO. 1 OF 1

9 8 7 6 5 4 3 2 1