

Excellent Integrated System Limited

Stocking Distributor

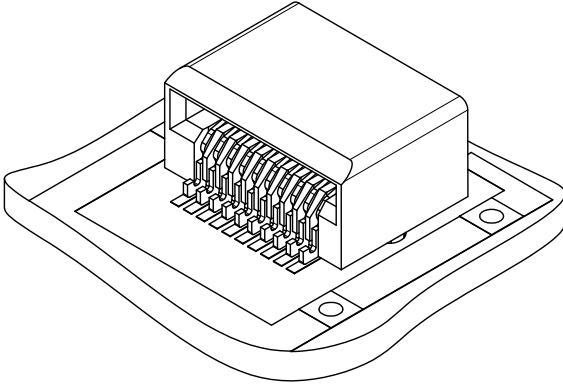
Click to view price, real time Inventory, Delivery & Lifecycle Information:

[Molex Connector Corporation](#)
[1703820001](#)

For any questions, you can email us directly:

sales@integrated-circuit.com

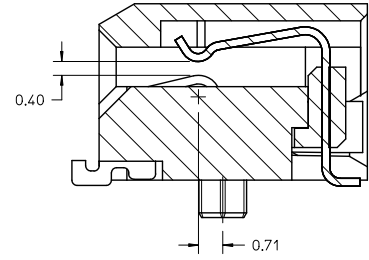
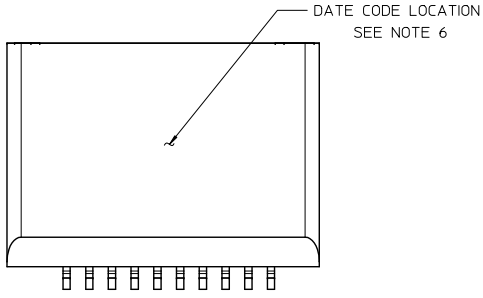
CKT SIZE	PART NUMBER	DESCRIPTION
20	170382-0001	PLATED PER NOTE 2
	170382-0002	PLATED PER NOTE 3
	170382-0003	PLATED PER NOTE 4



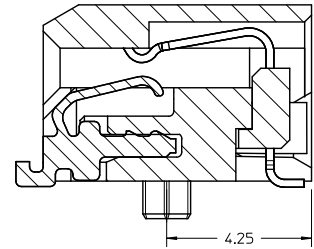
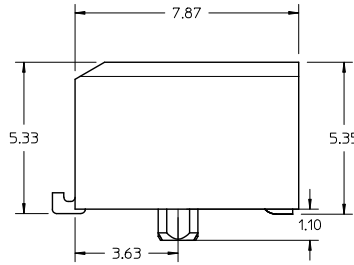
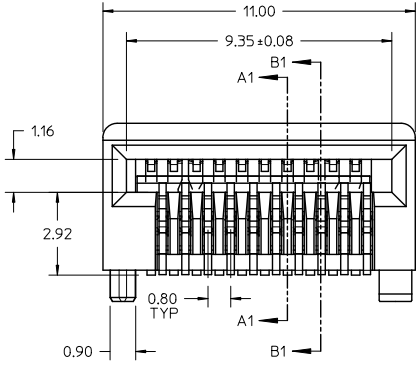
NOTES

- MATERIAL:
HOUSING - HIGH TEMPERATURE THERMOPLASTIC GLASS FILLED, UL 94V-0, BLACK
TERMINALS - COPPER ALLOY
- PLATING:
CONTACT AREA - 0.38 μm MIN GOLD OVER 2.54 μm MIN NICKEL
SOLDER FOOT AREA - 2.54 - 5.09 μm TIN OVER 2.54 μm MIN NICKEL.
- PLATING:
CONTACT AREA - 0.76 μm MIN GOLD OVER 2.54 μm NICKEL
SOLDER AREA - 2.54 - 5.09 μm TIN OVER 2.54 μm MIN NICKEL
- PLATING:
CONTACT AREA - 0.76 μm MIN GOLD OVER 2.54 μm NICKEL,
SOLDER AREA: GOLD FLASH OVER 2.54 μm MIN NICKEL.
- TERMINAL SOLDER FEET TO BE COPLANAR WITHIN 0.10
- DATE CODE: 4 DIGIT (3 DIGIT DATE, 1 DIGIT YEAR)

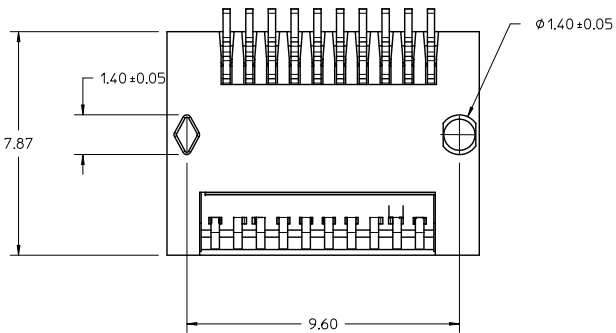
RELEASED EC NO: UCF2012-2043 DRAWN: JJANTELEZIO 2011/12/28 CHKD: JPBANKS 2012/01/13 APPR: JPBANKS	QUALITY SYMBOLS	GENERAL TOLERANCES (UNLESS SPECIFIED)	DIMENSION STYLE	SCALE	DESIGN UNITS	THIRD ANGLE PROJECTION
	▽=0	mm INCH	MM ONLY	8:1	METRIC	
	▽=0	4 PLACES ± --- ± ---	DRAWN BY DATE	TITLE		
	▽=0	3 PLACES ± --- ± ---	JGONZALEZ01 2010/05/05	ZSFP+ ASSEMBLY 20CKT SMT		
	2 PLACES ± 0.13 ± ---	1 PLACE ± 0.25 ± ---	CHECKED BY DATE	MOLEX INCORPORATED		
	ANGULAR ± 1/2°		JJANTELEZIO 2010/06/23	SD-170382-001		
			APPROVED BY DATE	SHEET NO.		
			MBANKS 2010/07/15	1 OF 3		
			MATERIAL NO.	DOCUMENT NO.		
			SEE CHART	THIS DRAWING CONTAINS INFORMATION THAT IS PROPRIETARY TO MOLEX INCORPORATED AND SHOULD NOT BE USED WITHOUT WRITTEN PERMISSION		



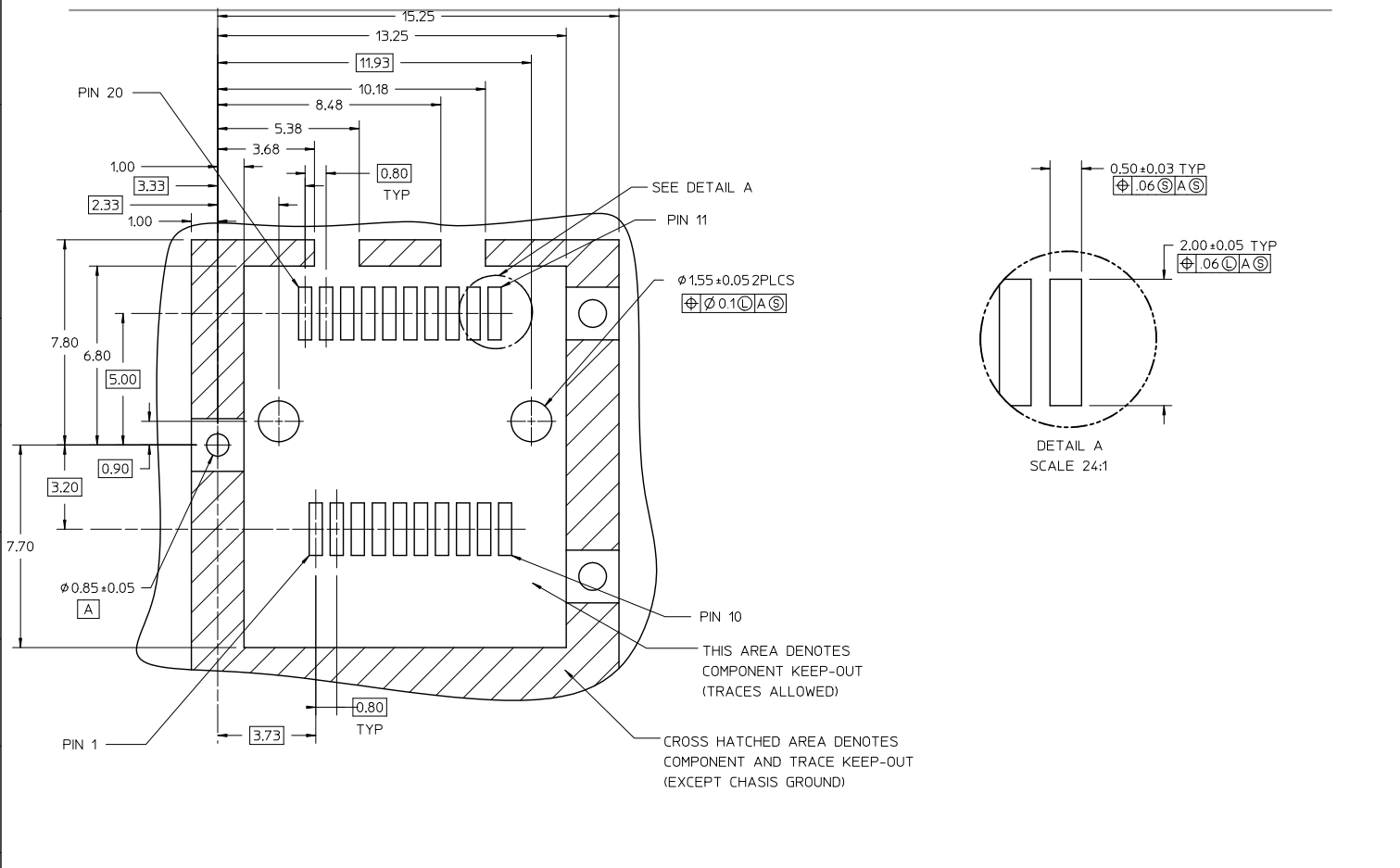
SECTION A1-A1
SCALE 12:1



SECTION B1-B1
SCALE 12:1



SEE SHEET 1 EC NO: UCP2012-2043 DRAWN: JJANTELEZIO 2011/12/28 CHKD: JJANTELEZIO APPR: MBANKIS 2012/07/13 DESCRIPTION REV	QUALITY SYMBOLS	GENERAL TOLERANCES (UNLESS SPECIFIED)	DIMENSION STYLE	SCALE	DESIGN UNITS	THIRD ANGLE PROJECTION
	∇=0 ∇=0 ∇=0	mm INCH 4 PLACES ± --- ± --- 3 PLACES ± --- ± --- 2 PLACES ± 0.13 ± --- 1 PLACE ± 0.25 ± --- ANGULAR ± 1/2°	MM ONLY	5:1	METRIC	DRAWN BY: JGONZALEZ01 DATE: 2010/05/05 CHECKED BY: JJANTELEZIO DATE: 2010/06/23 APPROVED BY: MBANKIS DATE: 2010/07/15 MATERIAL NO. MOLEX INCORPORATED DOCUMENT NO. SD-170382-001 SHEET NO. 2 OF 3
	DRAFT WHERE APPLICABLE MUST REMAIN WITHIN DIMENSIONS	SEE SHEET 1	ZSFP+ ASSEMBLY 20CKT SMT			
	THIS DRAWING CONTAINS INFORMATION THAT IS PROPRIETARY TO MOLEX INCORPORATED AND SHOULD NOT BE USED WITHOUT WRITTEN PERMISSION					



SEE SHEET 1 EC NO: UCP2012-2043 DRAWN: JJANTELEZIO 2011/12/28 CHKD: APPR: MBANKS 2012/01/13 DESCRIPTION:	QUALITY SYMBOLS	GENERAL TOLERANCES (UNLESS SPECIFIED)	DIMENSION STYLE	SCALE	DESIGN UNITS	THIRD ANGLE PROJECTION
	▽=0	mm INCH	MM ONLY	10:1	METRIC	☉
	▽=0	4 PLACES ± --- ± ---	DRAWN BY	DATE	TITLE	
	▽=0	3 PLACES ± --- ± ---	JGONZALEZ01	2010/05/05	ZSFP+ ASSEMBLY 20CKT SMT	
	2 PLACES ± 0.13 ± ---	1 PLACE ± 0.25 ± ---	CHECKED BY	DATE		
	ANGULAR ± 1/2°		JJANTELEZIO	2010/06/23		
			APPROVED BY	DATE		
			MBANKS	2010/07/15		
			MATERIAL NO.	DOCUMENT NO.		
			SEE SHEET 1	SD-170382-001		
			SIZE	THIS DRAWING CONTAINS INFORMATION THAT IS PROPRIETARY TO MOLEX INCORPORATED AND SHOULD NOT BE USED WITHOUT WRITTEN PERMISSION		
			C			