

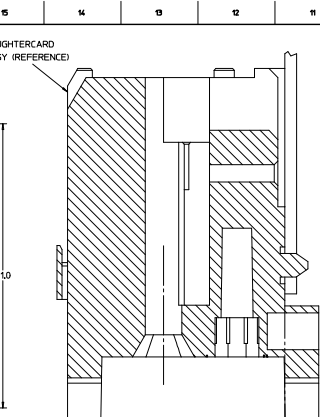
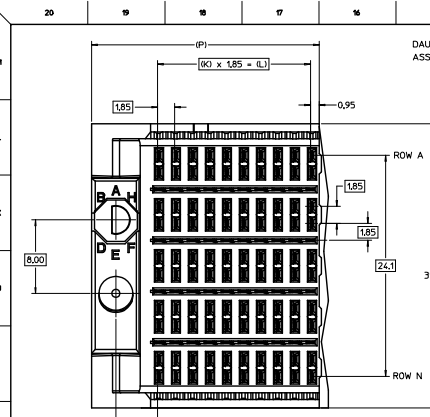
Excellent Integrated System Limited

Stocking Distributor

Click to view price, real time Inventory, Delivery & Lifecycle Information:

[Molex Connector Corporation](#)
[0752372105](#)

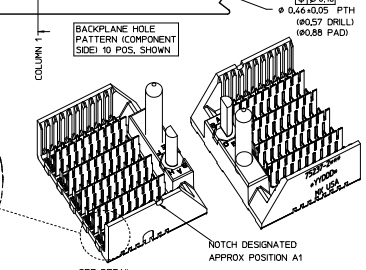
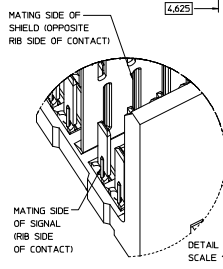
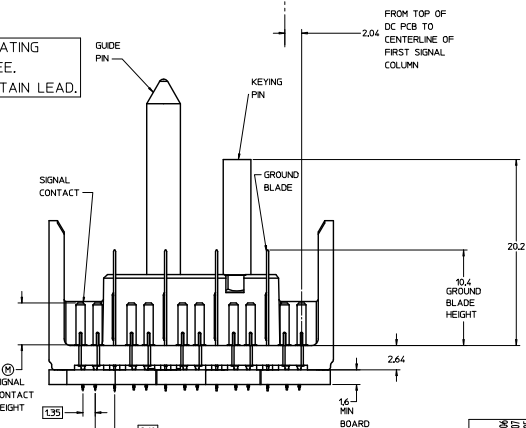
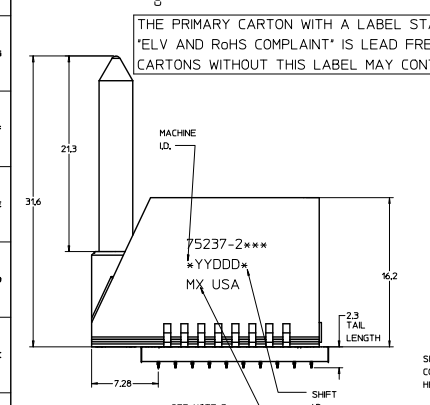
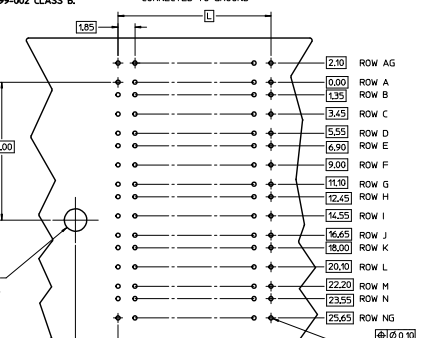
For any questions, you can email us directly:
sales@integrated-circuit.com



- NOTES:
1. MATERIAL: HOUSING - LIQUID CRYSTAL POLYMER (LCP) GLASS-FILLED, UL 94V-0, COLOR - GRAY, SIGNAL CONTACT AND GROUND BLADE - HIGH PERFORMANCE COPPER ALLOY.
 2. FINISHES: SELECTIVE GOLD (Au) ON CONTACT AREA, SELECTIVE MATTE TIN (Sn) ON PCB TAILS, NICKEL (Ni) OVERALL.
 3. THIS PART CONFORMS TO MOLEX PRODUCT SPECIFICATION PS-75221-999.
 4. FOR MIXED CONTACT MATING LENGTHS CONSULT MOLEX FOR AVAILABILITY, CONTACT PAIRS MUST BE THE SAME LENGTH.
 5. FOR SPECIFIC PART NUMBER AND MATING INFORMATION PLEASE REFER TO CHART.
 6. PACKAGE PER PIN-70873-565.
 7. MARK PART NUMBER AND DATE CODE APPROXIMATELY WHERE SHOWN.
 8. OPTIONAL HOLE LOCATION FOR GROUNDED GUIDE PIN OR ADDITIONAL GUIDE PIN SUPPORT, FOR GROUNDED GUIDE PIN, HOLE TO BE PLATED, DRILL SIZE #25H, PAD SIZE #25H.
 9. THESE PARTS CONFORM TO MOLEX COSMETIC SPECIFICATION PS-45499-002 CLASS B.
 10. MAPS (MOLEX ADVANCED PLATING SYSTEM).

MODULE ORIENTATION	COLUMN	PIN LENGTH DM ¹	GOLD (Au) THICKNESS micrometers
2- LEFT	1 = 10 COL	0-3.55 mm	0.25 (MAPS)
	2 = 25 COL	1-4.55 mm	
KEYING ORIENTATION (SEE TABLE)		2-5.55 mm	0.76
		3-3.55 mm	
		4-4.55 mm	
		5-5.55 mm	
		7-3.55 mm	
ROWS AG & NG RECOMMENDED FOR ALL APPLICATIONS. THESE ROWS SHOULD BE CONNECTED TO GROUND.		8-4.55 mm	1.27
		9-5.55 mm	

ASSY PART NO.	K	L	P	TOTAL NO. OF DIFFERENTIAL PAIRS
75237-210*	9	16.65	24.78	50
75237-220*	24	44.40	52.53	125



P/N	**0*	**1*	**2*	**3*	**4*	**5*	**6*	**7*	**8*
75237-L	O	A	B	C	D	E	F	G	H

LEAD-FREE PLATING

REV TO LEAD-FREE ECN 001/2003-0020 20/09/06 C CHROMIUM APPROVED 20/09/07 APPROVED 20/07/05 APPROVED	QUALITY SYMBOLS 4 PLACES +---+---+---+---+---+---+--- 3 PLACES +---+---+--- 2 PLACES +---+--- 1 PLACE +--- 0 PLACE	GENERAL TOLERANCES (UNLESS SPECIFIED) mm INCH 4 PLACES +---+---+---+---+---+---+--- 3 PLACES +---+---+--- 2 PLACES +---+--- 1 PLACE +--- 0 PLACE	DIMENSION STYLE MM ONLY	SCALE 5:1 DESIGN LIMITS METRIC THIRD ANGLE PROJECTION	DRAWN BY NMARTIN CHECKED BY APPROVED BY SREED APPROVED BY CBIXLER DATE 2004/03/11 DATE 2004/03/11 DATE 2004/03/11 DATE 2004/03/11	TITLE GBX 5-PAIR LF LEFT END BACKPLANE SALES ASSEMBLY	MATERIAL NO. SEE CHART	DOCUMENT NO. SD-75237-210	SHEET NO. 1 OF 1
--	--	---	-----------------------------------	---	--	--	---------------------------	------------------------------	---------------------