

Excellent Integrated System Limited

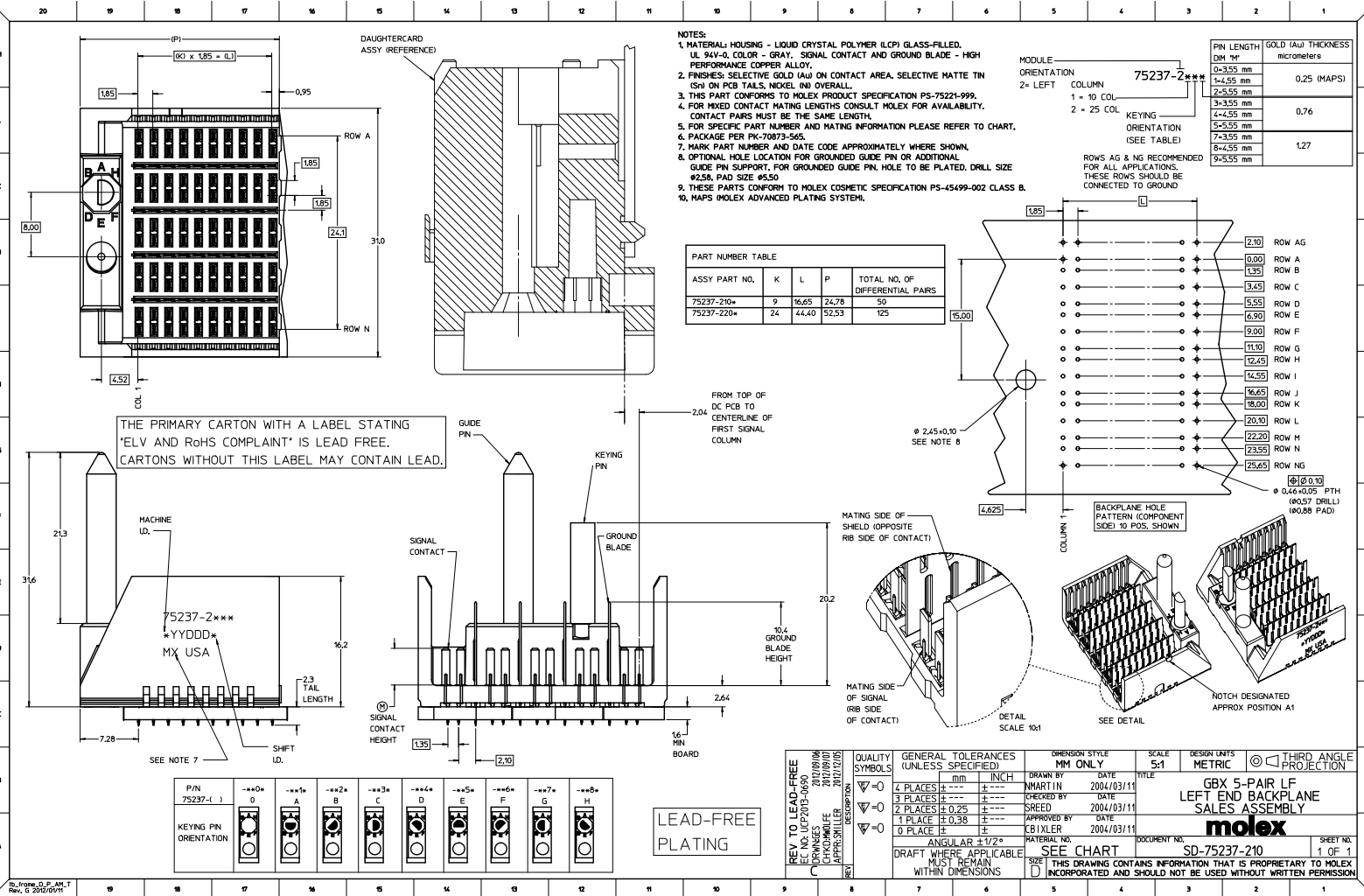
Stocking Distributor

Click to view price, real time Inventory, Delivery & Lifecycle Information:

[Molex Connector Corporation](#)
[0752372144](#)

For any questions, you can email us directly:

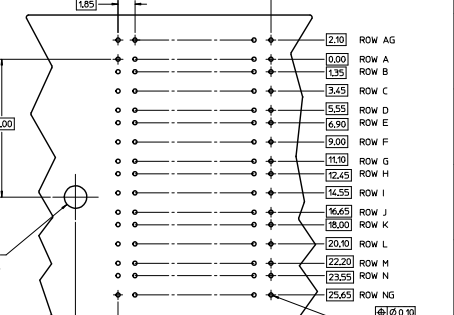
sales@integrated-circuit.com



- NOTES:**
1. MATERIAL: HOUSING - LIQUID CRYSTAL POLYMER (LCP) GLASS-FILLED, UL 94V-0, COLOR - GRAY, SIGNAL CONTACT AND GROUND BLADE - HIGH PERFORMANCE COPPER ALLOY.
 2. FINISHES: SELECTIVE GOLD (Au) ON CONTACT AREA, SELECTIVE MATTE TIN (Sn) ON PCB TAILS, NICKEL (Ni) OVERALL.
 3. THIS PART CONFORMS TO MOLEX PRODUCT SPECIFICATION PS-75221-999.
 4. FOR MIXED CONTACT MATING LENGTHS CONSULT MOLEX FOR AVAILABILITY, CONTACT PAIRS MUST BE THE SAME LENGTH.
 5. FOR SPECIFIC PART NUMBER AND MATING INFORMATION PLEASE REFER TO CHART.
 6. PACKAGE PER PW-70873-565.
 7. MARK PART NUMBER AND DATE CODE APPROXIMATELY WHERE SHOWN.
 8. OPTIONAL HOLE LOCATION FOR GROUNDED GUIDE PIN OR ADDITIONAL GUIDE PIN SUPPORT, FOR GROUNDED GUIDE PIN, HOLE TO BE PLATED, DRILL SIZE #0.56, PAD SIZE #0.50.
 9. THESE PARTS CONFORM TO MOLEX COSMETIC SPECIFICATION PS-45499-002 CLASS B.
 10. MAPS (MOLEX ADVANCED PLATING SYSTEM).

PIN LENGTH DIM "M"	GOLD (Au) THICKNESS micrometers
0-3.95 mm	0.25 (MAPS)
4-4.55 mm	
2-5.55 mm	0.76
3-3.55 mm	
4-4.55 mm	
5-5.55 mm	
7-3.55 mm	
8-4.55 mm	1.27
9-5.55 mm	

ASSY PART NO.	K	L	P	TOTAL NO. OF DIFFERENTIAL PAIRS
75237-210*	9	16.65	24.78	50
75237-220*	24	44.40	52.53	125



THE PRIMARY CARTON WITH A LABEL STATING "ELV AND ROHS COMPLAINT" IS LEAD FREE. CARTONS WITHOUT THIS LABEL MAY CONTAIN LEAD.

LEAD-FREE PLATING

P/N	Keying Pin Orientation
75237-1	0
75237-1	A
75237-1	B
75237-1	C
75237-1	D
75237-1	E
75237-1	F
75237-1	G
75237-1	H

QUALITY SYMBOLS	GENERAL TOLERANCES (UNLESS SPECIFIED)		DIMENSION STYLE		SCALE	DESIGN LIMITS	THIRD ANGLE PROJECTION
	mm	INCH	MM ONLY	DATE			
∇=0	4 PLACES	±---	±---	MM ONLY	5:1	METRIC	THIRD ANGLE PROJECTION
∇=0	3 PLACES	±---	±---	DATE			
∇=0	2 PLACES	±0.25	±---	DATE			
∇=0	1 PLACE	±0.38	±---	DATE			
∇=0	0 PLACE	±---	±---	DATE			