

## Excellent Integrated System Limited

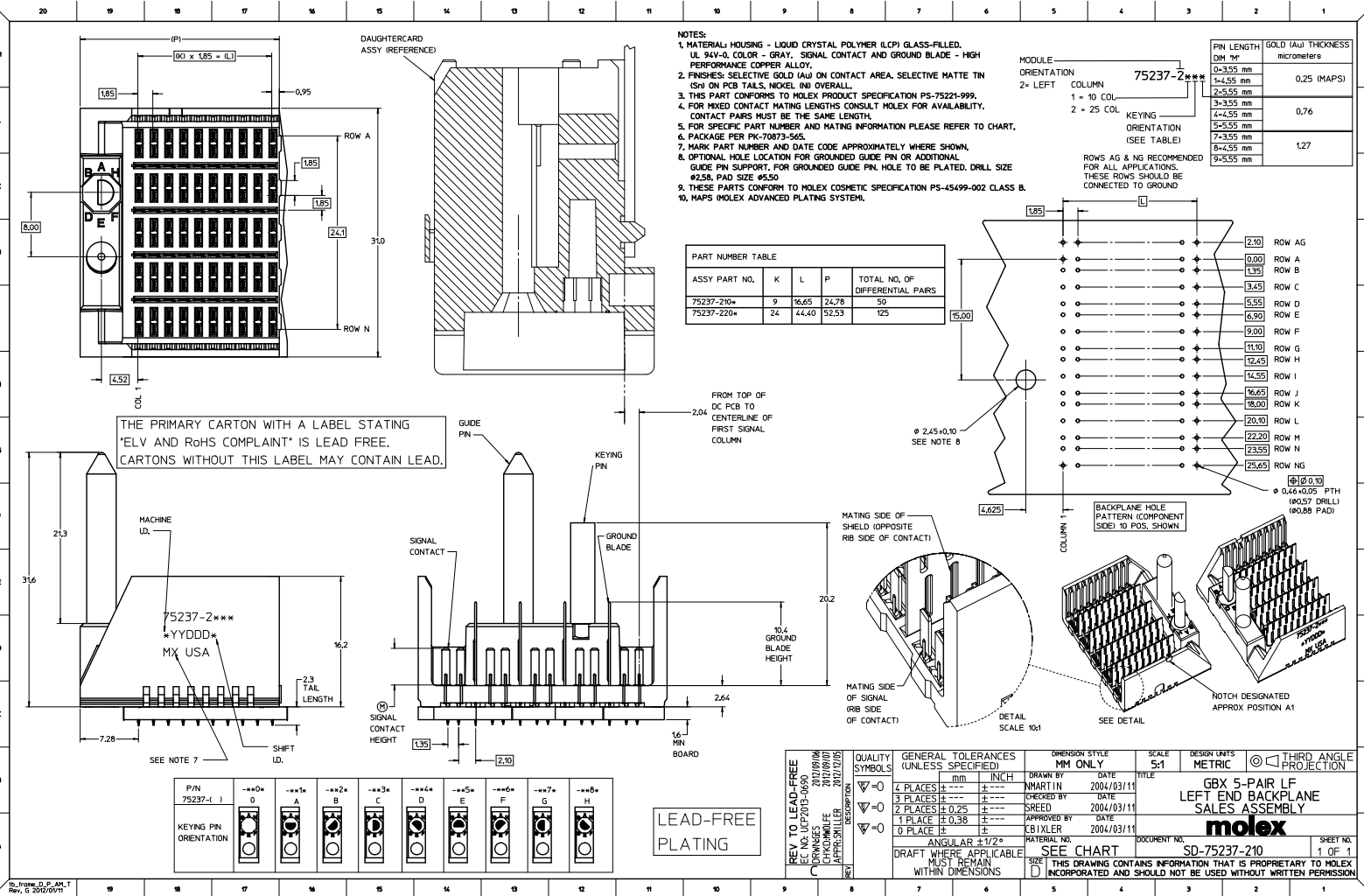
Stocking Distributor

Click to view price, real time Inventory, Delivery & Lifecycle Information:

[Molex Connector Corporation](#)  
[0752372284](#)

For any questions, you can email us directly:

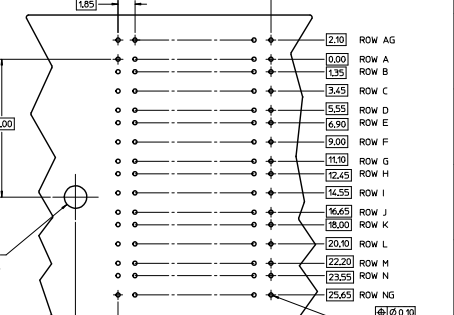
[sales@integrated-circuit.com](mailto:sales@integrated-circuit.com)



- NOTES:**
1. MATERIAL: HOUSING - LIQUID CRYSTAL POLYMER (LCP) GLASS-FILLED, UL 94V-0, COLOR - GRAY, SIGNAL CONTACT AND GROUND BLADE - HIGH PERFORMANCE COPPER ALLOY.
  2. FINISHES: SELECTIVE GOLD (Au) ON CONTACT AREA, SELECTIVE MATTE TIN (Sn) ON PCB TAILS, NICKEL (Ni) OVERALL.
  3. THIS PART CONFORMS TO MOLEX PRODUCT SPECIFICATION PS-75221-999.
  4. FOR MIXED CONTACT MATING LENGTHS CONSULT MOLEX FOR AVAILABILITY, CONTACT PAIRS MUST BE THE SAME LENGTH.
  5. FOR SPECIFIC PART NUMBER AND MATING INFORMATION PLEASE REFER TO CHART.
  6. PACKAGE PER PW-70873-565.
  7. MARK PART NUMBER AND DATE CODE APPROXIMATELY WHERE SHOWN.
  8. OPTIONAL HOLE LOCATION FOR GROUNDED GUIDE PIN OR ADDITIONAL GUIDE PIN SUPPORT, FOR GROUNDED GUIDE PIN, HOLE TO BE PLATED, DRILL SIZE #0.56, PAD SIZE #0.50.
  9. THESE PARTS CONFORM TO MOLEX COSMETIC SPECIFICATION PS-45499-002 CLASS B.
  10. MAPS (MOLEX ADVANCED PLATING SYSTEM).

PIN LENGTH	GOLD (Au) THICKNESS
mm	micrometers
0-3.95	0.25 (MAPS)
4-5.5	
2-5.55	0.76
3-3.55	
4-4.55	
5-5.55	1.27
7-3.55	
8-4.55	
9-5.55	

ASSY PART NO.	K	L	P	TOTAL NO. OF DIFFERENTIAL PAIRS
75237-210*	9	16.65	24.78	50
75237-220*	24	44.40	52.53	125



THE PRIMARY CARTON WITH A LABEL STATING "ELV AND ROHS COMPLAINT" IS LEAD FREE. CARTONS WITHOUT THIS LABEL MAY CONTAIN LEAD.

LEAD-FREE PLATING

REV.	DESCRIPTION	DATE	BY	CHKD.	APP'D.	QUALITY SYMBOLS	GENERAL TOLERANCES (UNLESS SPECIFIED)	DIMENSION STYLE	SCALE	DESIGN LIMITS	THIRD ANGLE PROJECTION
1	REV. TO LEAD-FREE	2007/09/06					4 PLACES ±0.15	MM ONLY	5:1	METRIC	
2	DRINKING CHROMIUM	2007/09/07					3 PLACES ±0.25				
3	APPROVALS	2007/09/05					2 PLACES ±0.38				
4							1 PLACE ±0.38				
5							0 PLACE ±				
							ANGULAR ±1/2°				
							DRAFT WHERE APPLICABLE MUST REMAIN WITHIN DIMENSIONS				
							SEE CHART				
							THIS DRAWING CONTAINS INFORMATION THAT IS PROPRIETARY TO MOLEX INCORPORATED AND SHOULD NOT BE USED WITHOUT WRITTEN PERMISSION				