

## **Excellent Integrated System Limited**

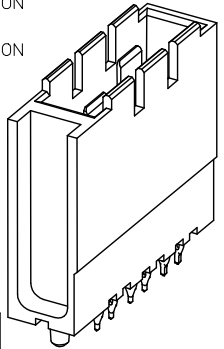
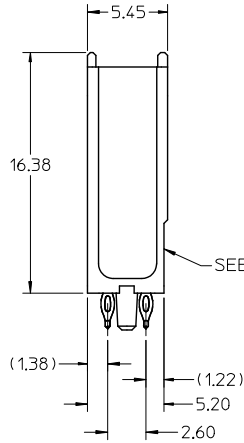
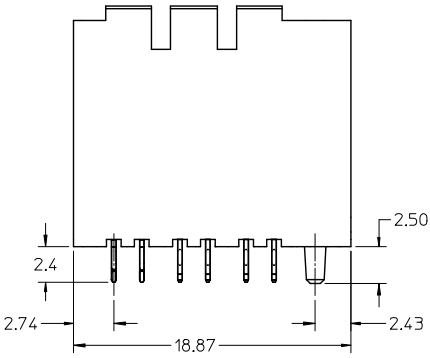
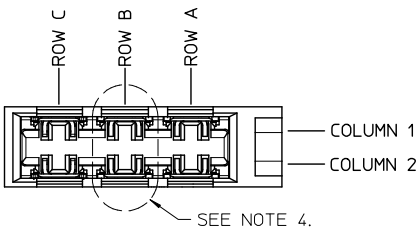
Stocking Distributor

Click to view price, real time Inventory, Delivery & Lifecycle Information:

[Molex Connector Corporation](#)  
[0753310233](#)

For any questions, you can email us directly:  
[sales@integrated-circuit.com](mailto:sales@integrated-circuit.com)

10 9 8 7 6 5 4 3 2 1



**NOTES:**

1. MATERIALS: HOUSING - LIQUID CRYSTAL POLYMER (LCP), UL 94V-0, GRAY; CONTACT - COPPER ALLOY.
2. FINISH: SELECT GOLD IN CONTACT AREA, 50 MICROINCH THICK; MATTE TIN IN COMPLIANT AREA.
3. PACKAGING PER PK-70873-571.
4. CONTACTS IN EACH ROW HAVE THE SAME WIPE LENGTH.
5. BACKPLANE ASSEMBLY MATES WITH DAUGHTERCARD POWER MODULE 75292-3\*\*\*.
6. PART SHOWN IS 75331-0467.
7. SEE OTHER SHEETS FOR ADDITIONAL NOTES.
8. WHEN INSERTING OPEN SIGNAL MODULES NEXT TO COLUMN 1 SIDE OF POWER MODULES, SIGNAL MODULES MUST BE INSERTED BEFORE THE POWERS TO AVOID INTERFERENCE BETWEEN THE TWO CONNECTOR HOUSINGS.
9. THESE PARTS CONFORM TO MOLEX PRODUCT SPECIFICATION PS-75221-999.
10. THESE PARTS CONFORM TO MOLEX COSMETIC SPECIFICATION PS-45499-002.

**1-UP ASSEMBLY PART NUMBER**

7 5 3 3 1 - 0 A B C

- MATT TIN (FORMERLY TIN/LEAD) PLATED PRODUCT -

FOR EACH ROW LOCATION A, B, C:

0 = VOID

4 = 4.5 mm WIPE

6 = 6.0 mm WIPE

7 = 7.5 mm WIPE

- MATTE TIN PLATED PRODUCT -

FOR EACH ROW LOCATION A, B, C:

0 = VOID

2 = 4.5 mm WIPE

3 = 6.0 mm WIPE

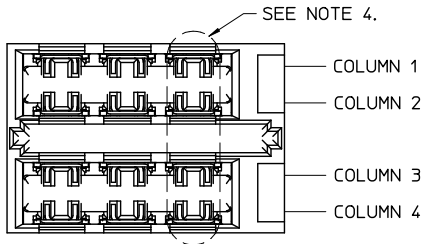
5 = 7.5 mm WIPE

THE PRIMARY CARTON WITH A LABEL STATING "ELV AND RoHS COMPLIANT" IS LEAD FREE. CARTONS WITHOUT THIS LABEL MAY CONTAIN LEAD.

<b>LEAD FREE CONVERSION</b> E.C. NO: IJCP2013-2305 2012/11/07 G. DRINAWHIPPLE 2012/12/07 CHKORWOLFE 2012/12/07 APPRSKILLER 2012/12/17	QUALITY SYMBOLS $\nabla=0$ $\nabla=0$ $\nabla=0$	GENERAL TOLERANCES (UNLESS SPECIFIED) <table border="1"> <tr> <th></th> <th>mm</th> <th>INCH</th> </tr> <tr> <td>4 PLACES</td> <td>± .005</td> <td>± .0004</td> </tr> <tr> <td>3 PLACES</td> <td>± .008</td> <td>± .0003</td> </tr> <tr> <td>2 PLACES</td> <td>± .013</td> <td>± .0005</td> </tr> <tr> <td>1 PLACE</td> <td>± 0.25</td> <td>± .010</td> </tr> <tr> <td>0 PLACE</td> <td>± .</td> <td>± .</td> </tr> </table>		mm	INCH	4 PLACES	± .005	± .0004	3 PLACES	± .008	± .0003	2 PLACES	± .013	± .0005	1 PLACE	± 0.25	± .010	0 PLACE	± .	± .	DIMENSION STYLE <b>MM ONLY</b>	SCALE <b>4:1</b>	DESIGN UNITS <b>METRIC</b>	THIRD ANGLE PROJECTION
		mm	INCH																					
	4 PLACES	± .005	± .0004																					
	3 PLACES	± .008	± .0003																					
2 PLACES	± .013	± .0005																						
1 PLACE	± 0.25	± .010																						
0 PLACE	± .	± .																						
DRAWN BY ELO	DATE 2005/02/18	CHECKED BY ELO	DATE 2005/02/22	TITLE <b>GBX 3 PAIR BACKPLANE POWER SALES ASSEMBLY</b>																				
APPROVED BY CUNNINGHAM	DATE 2005/02/23	<b>molex</b>			DOCUMENT NO. <b>SD-75331-001</b>	SHEET NO. <b>1 OF 4</b>																		
DRAFT WHERE APPLICABLE MUST REMAIN WITHIN DIMENSIONS		MATERIAL NO. <b>SEE CHART</b>	THIS DRAWING CONTAINS INFORMATION THAT IS PROPRIETARY TO MOLEX INCORPORATED AND SHOULD NOT BE USED WITHOUT WRITTEN PERMISSION																					

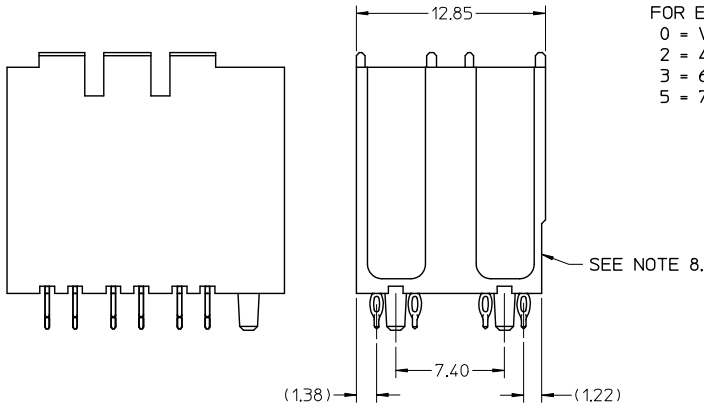
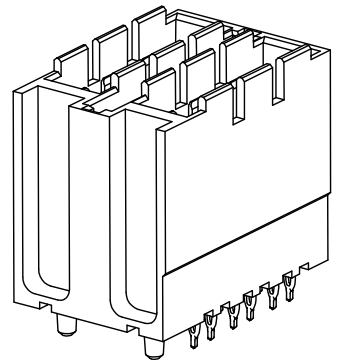
10 9 8 7 6 5 4 3 2 1

10 9 8 7 6 5 4 3 2 1



2-UP ASSEMBLY PART NUMBER

7 5 3 3 2 - 0 A B C  
 - MATTE TIN (FORMERLY TIN/LEAD) PLATED PRODUCT -  
 FOR EACH ROW LOCATION A, B, C:  
 0 = VOID  
 4 = 4.5 mm WIPE  
 6 = 6.0 mm WIPE  
 7 = 7.5 mm WIPE  
 - MATTE TIN PLATED PRODUCT -  
 FOR EACH ROW LOCATION A, B, C:  
 0 = VOID  
 2 = 4.5 mm WIPE  
 3 = 6.0 mm WIPE  
 5 = 7.5 mm WIPE



SEE SHEET 1 FOR ADDITIONAL INFORMATION  
 CHECK WITH PRODUCT MANAGER FOR AVAILABILITY

SEE SHEET 1 EC NO: UCP2013-2305 DRAWN BY: HUNTER CHECKED BY: MOLE APPROVED BY: MILLER DATE: 2012/12/07 DATE: 2012/12/07 DATE: 2012/12/17	QUALITY SYMBOLS	GENERAL TOLERANCES (UNLESS SPECIFIED)	DIMENSION STYLE	SCALE	DESIGN UNITS	THIRD ANGLE PROJECTION	
	▽=0	mm INCH	MM ONLY	4:1	METRIC	☉	
	▽=0	4 PLACES ± --- ± ---	DRAWN BY DATE	ELO 2005/02/18	TITLE		
	▽=0	3 PLACES ± --- ± ---	CHECKED BY DATE	ELO 2005/02/22	GBX 3 PAIR BACKPLANE POWER SALES ASSEMBLY		
▽=0	2 PLACES ± .13 ± ---	APPROVED BY DATE	CUNNINGHAM 2005/02/23	molex			
	1 PLACE ± 0.25 ± ---	MATERIAL NO.	SEE CHART	DOCUMENT NO.			
	0 PLACE ± ±	SIZE	B	SD-75331-001			
	ANGULAR +---°	THIS DRAWING CONTAINS INFORMATION THAT IS PROPRIETARY TO MOLEX INCORPORATED AND SHOULD NOT BE USED WITHOUT WRITTEN PERMISSION					
	DRAFT WHERE APPLICABLE MUST REMAIN WITHIN DIMENSIONS	SHEET NO. 2 OF 4					

10 9 8 7 6 5 4 3 2 1

3-UP ASSEMBLY PART NUMBER

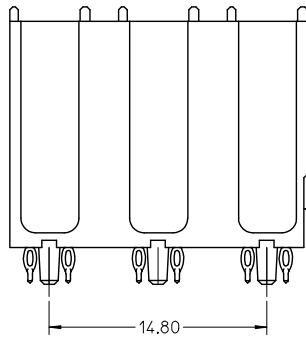
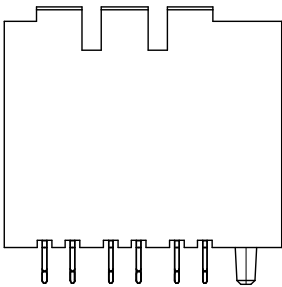
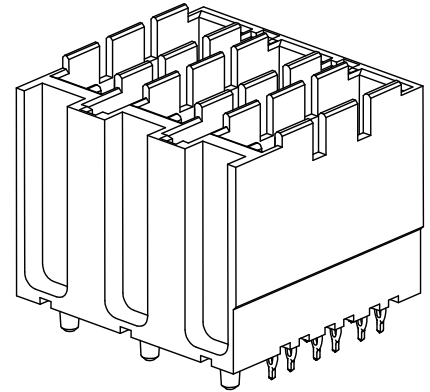
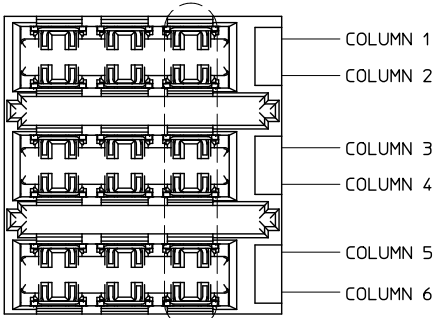
7 5 3 3 3 - 0 A B C

- MATTE TIN (FORMERLY TIN/LEAD) PLATED PRODUCT -  
FOR EACH ROW LOCATION A, B, C:

- 0 = VOID
- 4 = 4.5 mm WIPE
- 6 = 6.0 mm WIPE
- 7 = 7.5 mm WIPE

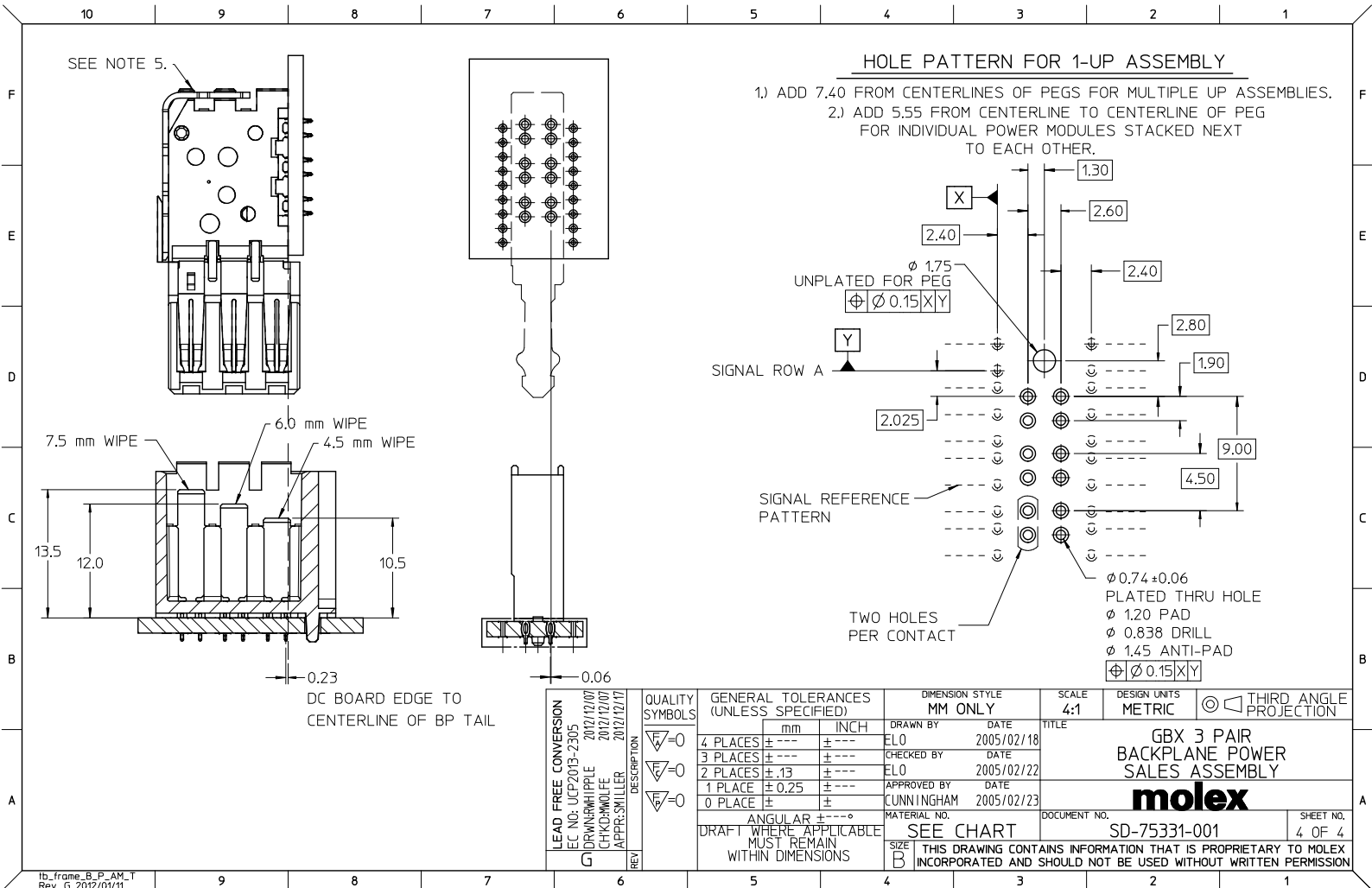
- MATTE TIN PLATED PRODUCT -  
FOR EACH ROW LOCATION A, B, C:

- 0 = VOID
- 2 = 4.5 mm WIPE
- 3 = 6.0 mm WIPE
- 5 = 7.5 mm WIPE



SEE SHEET 1 FOR ADDITIONAL INFORMATION  
CHECK WITH PRODUCT MANAGER FOR AVAILABILITY

SEE SHEET 1 EC NO: UCP2013-2305 DRAWN BY: CHYKSHWOLEE CHECKED BY: APPR:SMILLER DATE: 2012/12/07 DATE: 2012/12/07 DATE: 2012/12/17	QUALITY SYMBOLS	GENERAL TOLERANCES (UNLESS SPECIFIED)	DIMENSION STYLE	SCALE	DESIGN UNITS	THIRD ANGLE PROJECTION	
	$\nabla=0$ $\nabla=0$ $\nabla=0$	mm      INCH 4 PLACES ± --- ± --- 3 PLACES ± --- ± --- 2 PLACES ± .13 ± --- 1 PLACE ± 0.25 ± --- 0 PLACE ±     ±	MM ONLY	4:1	METRIC	DRAWN BY: ELO      DATE: 2005/02/18 CHECKED BY:      DATE: APPROVED BY:      DATE: CUNNINGHAM      2005/02/23	TITLE: GBX 3 PAIR BACKPLANE POWER SALES ASSEMBLY MATERIAL NO.      DOCUMENT NO. SD-75331-001 SHEET NO. 3 OF 4
	ANGULAR ± --- ° DRAFT WHERE APPLICABLE MUST REMAIN WITHIN DIMENSIONS	SEE CHART THIS DRAWING CONTAINS INFORMATION THAT IS PROPRIETARY TO MOLEX INCORPORATED AND SHOULD NOT BE USED WITHOUT WRITTEN PERMISSION					
	REV						



<b>LEAD FREE CONVERSION</b> EC NO: UCP2013-2305 DRAWN BY: CHYKORHAPPLE CHECKED BY: CHYKORHAPPLE APPROVED BY: APPRS.MILLER	QUALITY SYMBOLS $\nabla=0$ $\nabla=0$ $\nabla=0$	GENERAL TOLERANCES (UNLESS SPECIFIED)		DIMENSION STYLE <b>MM ONLY</b>		SCALE 4:1	DESIGN UNITS METRIC	THIRD ANGLE PROJECTION
		4 PLACES $\pm$ --- $\pm$ --- 3 PLACES $\pm$ --- $\pm$ --- 2 PLACES $\pm$ .13 $\pm$ --- 1 PLACE $\pm$ 0.25 $\pm$ --- 0 PLACE $\pm$ $\pm$	mm INCH --- --- --- --- --- --- --- ---	DRAWN BY ELO	DATE 2005/02/18	TITLE <b>GBX 3 PAIR BACKPLANE POWER SALES ASSEMBLY</b>		
REV G	DESCRIPTION CHYKORHAPPLE 2012/12/07 CHYKORHAPPLE 2012/12/07 APPRS.MILLER 2012/12/17	ANGULAR $\pm$ --- $\pm$ --- DRAFT WHERE APPLICABLE MUST REMAIN WITHIN DIMENSIONS		CHECKED BY ELO	DATE 2005/02/22	APPROVED BY CUNNINGHAM	DATE 2005/02/23	DOCUMENT NO. <b>SD-75331-001</b>
		MATERIAL NO. <b>SEE CHART</b>		SHEET NO. <b>4 OF 4</b>		<b>molex</b>		