

## **Excellent Integrated System Limited**

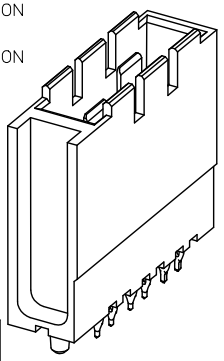
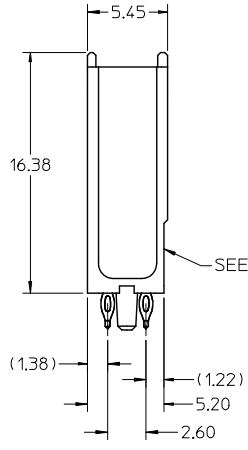
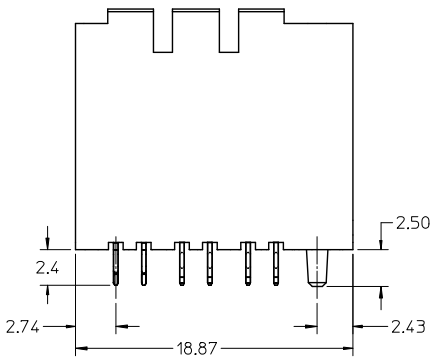
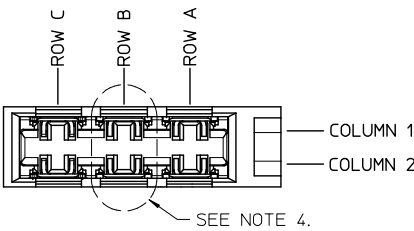
Stocking Distributor

Click to view price, real time Inventory, Delivery & Lifecycle Information:

[Molex Connector Corporation](#)  
[0753310477](#)

For any questions, you can email us directly:  
[sales@integrated-circuit.com](mailto:sales@integrated-circuit.com)

10 9 8 7 6 5 4 3 2 1



- NOTES:
1. MATERIALS: HOUSING - LIQUID CRYSTAL POLYMER (LCP), UL 94V-0, GRAY; CONTACT - COPPER ALLOY.
  2. FINISH: SELECT GOLD IN CONTACT AREA, 50 MICROINCH THICK; MATTE TIN IN COMPLIANT AREA.
  3. PACKAGING PER PK-70873-571.
  4. CONTACTS IN EACH ROW HAVE THE SAME WIPE LENGTH.
  5. BACKPLANE ASSEMBLY MATES WITH DAUGHTERCARD POWER MODULE 75292-3\*\*\*.
  6. PART SHOWN IS 75331-0467.
  7. SEE OTHER SHEETS FOR ADDITIONAL NOTES.
  8. WHEN INSERTING OPEN SIGNAL MODULES NEXT TO COLUMN 1 SIDE OF POWER MODULES, SIGNAL MODULES MUST BE INSERTED BEFORE THE POWERS TO AVOID INTERFERENCE BETWEEN THE TWO CONNECTOR HOUSINGS.
  9. THESE PARTS CONFORM TO MOLEX PRODUCT SPECIFICATION PS-75221-999.
  10. THESE PARTS CONFORM TO MOLEX COSMETIC SPECIFICATION PS-45499-002.

1-UP ASSEMBLY PART NUMBER

7 5 3 3 1 - 0 A B C

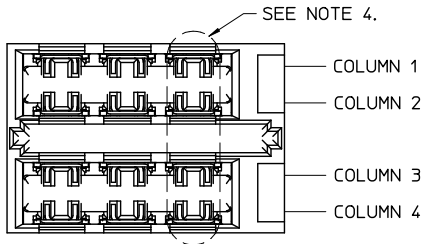
- MATT TIN (FORMERLY TIN/LEAD) PLATED PRODUCT - FOR EACH ROW LOCATION A, B, C:
- 0 = VOID
- 4 = 4.5 mm WIPE
- 6 = 6.0 mm WIPE
- 7 = 7.5 mm WIPE
- MATTE TIN PLATED PRODUCT - FOR EACH ROW LOCATION A, B, C:
- 0 = VOID
- 2 = 4.5 mm WIPE
- 3 = 6.0 mm WIPE
- 5 = 7.5 mm WIPE

THE PRIMARY CARTON WITH A LABEL STATING "ELV AND RoHS COMPLIANT" IS LEAD FREE. CARTONS WITHOUT THIS LABEL MAY CONTAIN LEAD.

|   |   |                                       |      |                 |      |       |   |                        |  |  |
|---|---|---------------------------------------|------|-----------------|------|-------|---|------------------------|--|--|
| LEAD FREE CONVERSION<br>E.C. NO: IJCP2013-2305<br>G. DRINAWHIPPLE 2012/11/07<br>CH. KORNOLFE 2012/12/07<br>APPR. SKILLER 2012/12/17 | QUALITY SYMBOLS   | GENERAL TOLERANCES (UNLESS SPECIFIED) |      | DIMENSION STYLE |      | SCALE | DESIGN UNITS  | THIRD ANGLE PROJECTION |  |  |
|   | $\nabla=0$<br>$\nabla=0$<br>$\nabla=0$  | mm                                    | INCH | MM ONLY         |      | 4:1   | METRIC  |                        |  |  |
|   | 4 PLACES ± --- ± ---<br>3 PLACES ± --- ± ---<br>2 PLACES ± .13 ± ---<br>1 PLACE ± 0.25 ± ---<br>0 PLACE ± ± |                                       |      | DRAWN BY        | DATE | TITLE | GBX 3 PAIR BACKPLANE POWER SALES ASSEMBLY   |                        |  |  |
|   | ANGULAR ± ---°<br>DRAFT WHERE APPLICABLE MUST REMAIN WITHIN DIMENSIONS                                      |                                       |      | CHECKED BY      | DATE |       | APPROVED BY<br>CUNNINGHAM 2005/02/23<br>MATERIAL NO. SEE CHART<br>DOCUMENT NO. SD-75331-001<br>SHEET NO. 1 OF 4 |                        |  |  |

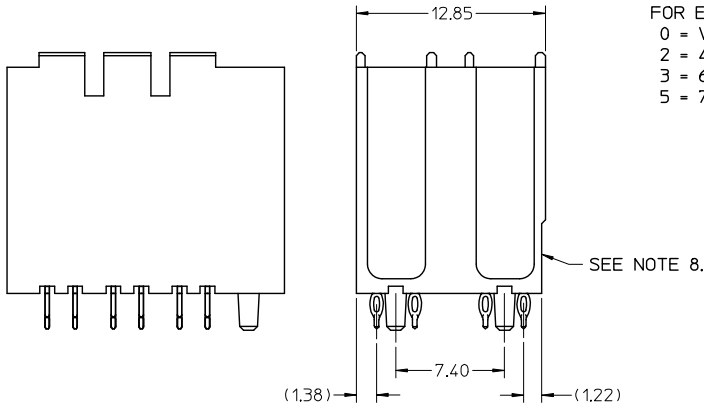
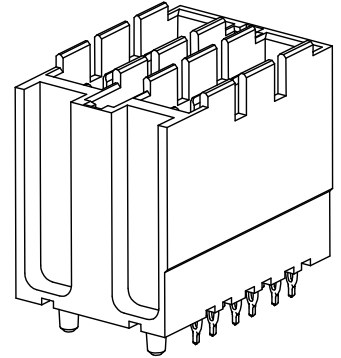
9 8 7 6 5 4 3 2 1

10 9 8 7 6 5 4 3 2 1



2-UP ASSEMBLY PART NUMBER

7 5 3 3 2 - 0 A B C  
 - MATTE TIN (FORMERLY TIN/LEAD) PLATED PRODUCT -  
 FOR EACH ROW LOCATION A, B, C:  
 0 = VOID  
 4 = 4.5 mm WIPE  
 6 = 6.0 mm WIPE  
 7 = 7.5 mm WIPE  
 - MATTE TIN PLATED PRODUCT -  
 FOR EACH ROW LOCATION A, B, C:  
 0 = VOID  
 2 = 4.5 mm WIPE  
 3 = 6.0 mm WIPE  
 5 = 7.5 mm WIPE



SEE SHEET 1 FOR ADDITIONAL INFORMATION  
 CHECK WITH PRODUCT MANAGER FOR AVAILABILITY

| SEE SHEET 1<br>EC NO: UCP2013-2305<br>DRAWN BY: HIRN/HPLE 2012/12/07<br>CHECKED BY: CHUCK/MOLE 2012/12/07<br>APPROVED BY: APPRES/MILLER 2012/12/17<br>REV: | QUALITY SYMBOLS<br>$\nabla=0$<br>$\nabla=0$<br>$\nabla=0$  | GENERAL TOLERANCES (UNLESS SPECIFIED)<br><table border="1"> <thead> <tr> <th></th> <th>mm</th> <th>INCH</th> </tr> </thead> <tbody> <tr> <td>4 PLACES</td> <td>± .13</td> <td>± .005</td> </tr> <tr> <td>3 PLACES</td> <td>± .13</td> <td>± .005</td> </tr> <tr> <td>2 PLACES</td> <td>± .13</td> <td>± .005</td> </tr> <tr> <td>1 PLACE</td> <td>± 0.25</td> <td>± .010</td> </tr> <tr> <td>0 PLACE</td> <td>± .13</td> <td>± .005</td> </tr> </tbody> </table> |      | mm | INCH | 4 PLACES | ± .13 | ± .005 | 3 PLACES | ± .13 | ± .005 | 2 PLACES | ± .13 | ± .005 | 1 PLACE | ± 0.25 | ± .010 | 0 PLACE | ± .13 | ± .005 | DIMENSION STYLE<br>MM ONLY<br>DRAWN BY: ELO<br>DATE: 2005/02/18<br>CHECKED BY: ELO<br>DATE: 2005/02/22<br>APPROVED BY: CUNNINGHAM<br>DATE: 2005/02/23 | SCALE<br>4:1<br>DESIGN UNITS<br>METRIC<br>THIRD ANGLE PROJECTION | TITLE<br>GBX 3 PAIR<br>BACKPLANE POWER<br>SALES ASSEMBLY<br><b>molex</b><br>DOCUMENT NO.<br>SD-75331-001<br>SHEET NO.<br>2 OF 4 |
|--|--|--|------|----|------|----------|-------|--------|----------|-------|--------|----------|-------|--------|---------|--------|--------|---------|-------|--------|---|--|---|
|  |  | mm   | INCH |    |      |          |       |        |          |       |        |          |       |        |         |        |        |         |       |        |   |  |   |
| 4 PLACES   | ± .13  | ± .005   |      |    |      |          |       |        |          |       |        |          |       |        |         |        |        |         |       |        |   |  |   |
| 3 PLACES   | ± .13  | ± .005   |      |    |      |          |       |        |          |       |        |          |       |        |         |        |        |         |       |        |   |  |   |
| 2 PLACES   | ± .13  | ± .005   |      |    |      |          |       |        |          |       |        |          |       |        |         |        |        |         |       |        |   |  |   |
| 1 PLACE  | ± 0.25   | ± .010   |      |    |      |          |       |        |          |       |        |          |       |        |         |        |        |         |       |        |   |  |   |
| 0 PLACE  | ± .13  | ± .005   |      |    |      |          |       |        |          |       |        |          |       |        |         |        |        |         |       |        |   |  |   |
| DRAFT WHERE APPLICABLE<br>MUST REMAIN<br>WITHIN DIMENSIONS<br>MATERIAL NO.<br>SEE CHART<br>SIZE<br>B   | THIS DRAWING CONTAINS INFORMATION THAT IS PROPRIETARY TO MOLEX<br>INCORPORATED AND SHOULD NOT BE USED WITHOUT WRITTEN PERMISSION |  |      |    |      |          |       |        |          |       |        |          |       |        |         |        |        |         |       |        |   |  |   |

9 8 7 6 5 4 3 2 1

3-UP ASSEMBLY PART NUMBER

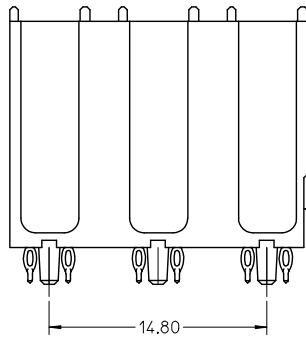
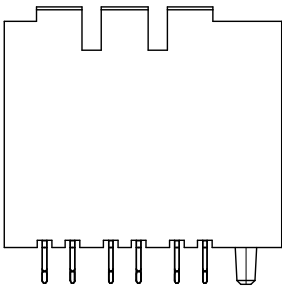
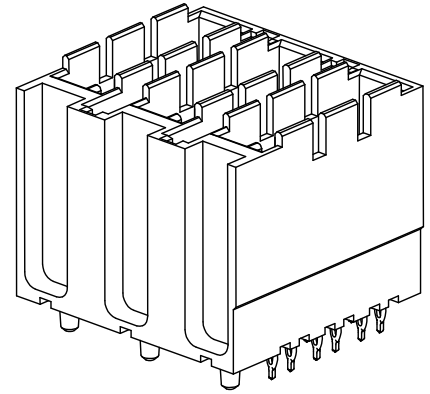
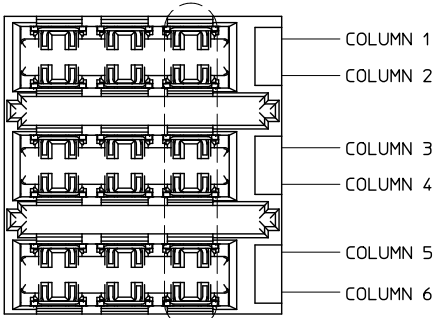
7 5 3 3 3 - 0 A B C

- MATTE TIN (FORMERLY TIN/LEAD) PLATED PRODUCT -  
FOR EACH ROW LOCATION A, B, C:

- 0 = VOID
- 4 = 4.5 mm WIPE
- 6 = 6.0 mm WIPE
- 7 = 7.5 mm WIPE

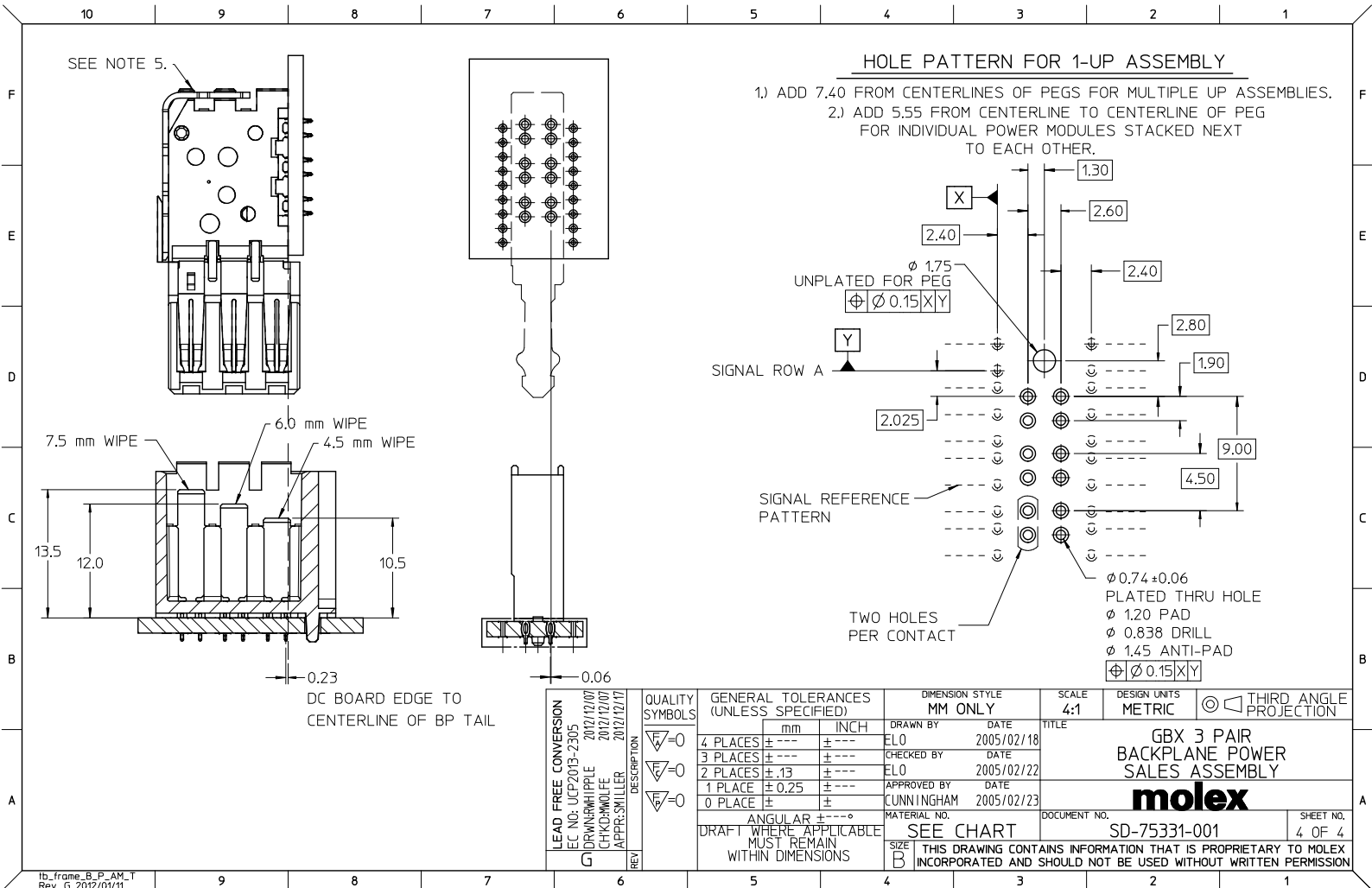
- MATTE TIN PLATED PRODUCT -  
FOR EACH ROW LOCATION A, B, C:

- 0 = VOID
- 2 = 4.5 mm WIPE
- 3 = 6.0 mm WIPE
- 5 = 7.5 mm WIPE



SEE SHEET 1 FOR ADDITIONAL INFORMATION  
CHECK WITH PRODUCT MANAGER FOR AVAILABILITY

|   |   |  |   |                  |              |   |   |
|---|---|--|---|------------------|--------------|---|---|
| SEE SHEET 1<br>EC NO: UCP2013-2305<br>DRAWN BY: CHYKSHWOLEE<br>CHECKED BY: APPR:SMILLER<br>DATE: 2012/12/07<br>DATE: 2012/12/17 | QUALITY SYMBOLS   | GENERAL TOLERANCES (UNLESS SPECIFIED)  | DIMENSION STYLE   | SCALE            | DESIGN UNITS | THIRD ANGLE PROJECTION  |   |
|   | $\nabla=0$<br>$\nabla=0$<br>$\nabla=0$                                  | mm      INCH<br>4 PLACES ± --- ± ---<br>3 PLACES ± --- ± ---<br>2 PLACES ± .13 ± ---<br>1 PLACE ± 0.25 ± ---<br>0 PLACE ±      ± | MM ONLY   | 4:1              | METRIC       | DRAWN BY: ELO      DATE: 2005/02/18<br>CHECKED BY: ELO      DATE: 2005/02/22<br>APPROVED BY: CUNNINGHAM      DATE: 2005/02/23 | TITLE: GBX 3 PAIR BACKPLANE POWER SALES ASSEMBLY<br>MATERIAL NO.      DOCUMENT NO. SD-75331-001 |
|   | ANGULAR ± --- °<br>DRAFT WHERE APPLICABLE MUST REMAIN WITHIN DIMENSIONS | SEE CHART<br>SIZE B  | THIS DRAWING CONTAINS INFORMATION THAT IS PROPRIETARY TO MOLEX INCORPORATED AND SHOULD NOT BE USED WITHOUT WRITTEN PERMISSION | SHEET NO. 3 OF 4 |              |   |   |
|   | REV   | DESCRIPTION  | THIS DRAWING CONTAINS INFORMATION THAT IS PROPRIETARY TO MOLEX INCORPORATED AND SHOULD NOT BE USED WITHOUT WRITTEN PERMISSION | SHEET NO. 3 OF 4 |              |   |   |



|   |   |   |  |                                   |                            |   |                        |                                     |
|---|---|---|--|-----------------------------------|----------------------------|---|------------------------|-------------------------------------|
| <b>LEAD FREE CONVERSION</b><br>EC NO: UCP2013-2305<br>2012/12/07<br>CHYKORHAPPLE<br>2012/12/07<br>CHYKORHAPPLE<br>2012/12/17<br>APPRS: MILLER | QUALITY SYMBOLS<br>$\nabla=0$<br>$\nabla=0$<br>$\nabla=0$ | GENERAL TOLERANCES (UNLESS SPECIFIED)   |  | DIMENSION STYLE<br><b>MM ONLY</b> |                            | SCALE<br>4:1  | DESIGN UNITS<br>METRIC | THIRD ANGLE PROJECTION              |
|   |   | 4 PLACES $\pm$ --- $\pm$ ---<br>3 PLACES $\pm$ --- $\pm$ ---<br>2 PLACES $\pm$ .13 $\pm$ ---<br>1 PLACE $\pm$ 0.25 $\pm$ ---<br>0 PLACE $\pm$ $\pm$ | mm INCH<br>--- ---<br>--- ---<br>--- ---<br>--- ---<br>--- --- | DRAWN BY<br>ELO                   | DATE<br>2005/02/18         | TITLE<br><b>GBX 3 PAIR BACKPLANE POWER SALES ASSEMBLY</b> |                        |                                     |
| REV<br>G  | DESCRIPTION<br>LEAD FREE CONVERSION                       | ANGULAR $\pm$ --- $\pm$ ---<br>DRAFT WHERE APPLICABLE MUST REMAIN WITHIN DIMENSIONS   |  | CHECKED BY<br>ELO                 | DATE<br>2005/02/22         | APPROVED BY<br>CUNNINGHAM                                 | DATE<br>2005/02/23     | DOCUMENT NO.<br><b>SD-75331-001</b> |
|   |   |   |  | MATERIAL NO.<br><b>SEE CHART</b>  | SHEET NO.<br><b>4 OF 4</b> |   |                        |                                     |