

## Excellent Integrated System Limited

Stocking Distributor

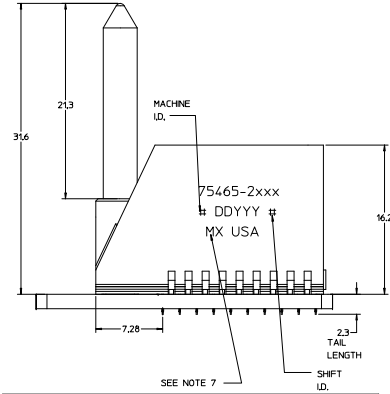
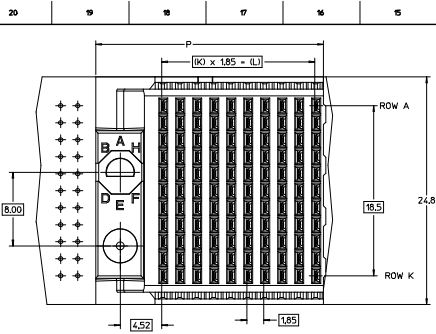
Click to view price, real time Inventory, Delivery & Lifecycle Information:

[Molex Connector Corporation](#)

[0754652504](#)

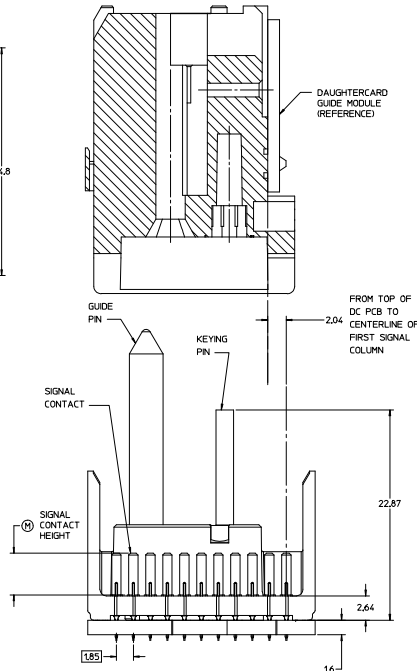
For any questions, you can email us directly:

[sales@integrated-circuit.com](mailto:sales@integrated-circuit.com)



THE PRIMARY CARTON WITH A LABEL STATING 'ELV AND RoHS COMPLAINT' IS LEAD FREE. CARTONS WITHOUT THIS LABEL MAY CONTAIN LEAD.

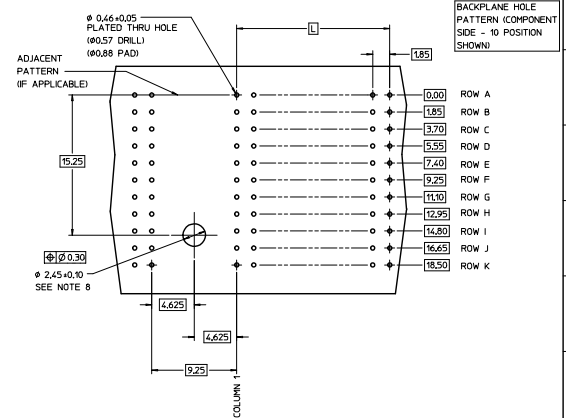
- NOTES:**
1. MATERIAL: HOUSING - LIQUID CRYSTAL POLYMER (LCP) GLASS-FILLED, UL 94V-0. COLOR - GRAY. SIGNAL CONTACT - HIGH PERFORMANCE COPPER ALLOY.
  2. FINISHES: SELECTIVE GOLD (Au) ON CONTACT AREA, SELECTIVE MATTE TIN (Sn) ON PCB TAILS, NICKEL (Ni) OVERALL.
  3. THIS PART CONFORMS TO MOLEX PRODUCT SPECIFICATION PS-75221-999.
  4. FOR MIXED CONTACT MATING LENGTHS CONSULT MOLEX FOR AVAILABILITY.
  5. 10 COLUMN 4 PAIR L-SERIES SHOWN FOR ILLUSTRATION PURPOSES ONLY. FOR SPECIFIC PART NUMBER AND MATING INFORMATION PLEASE REFER TO CHART.
  6. PACKAGE PER PK-10873-563.
  7. MARK PART NUMBER AND DATE CODE APPROXIMATELY WHERE SHOWN.
  8. OPTIONAL HOLE LOCATION FOR GROUNDED GUIDE PIN OR ADDITIONAL GUIDE PIN SUPPORT. FOR GROUNDED GUIDE PIN HOLE TO BE PLATED, DRILL SIZE #25H. PAD SIZE #50.
  9. THESE PARTS CONFORM TO MOLEX COSMETIC SPECIFICATION PS-45499-002 CLASS B.
  10. MAPS MOLEX ADVANCED PLATING SYSTEM.



75465-2***		PIN LENGTH	GOLD (Au) THICKNESS
COLUMN	KEYING POSITION	OHM "H"	micrometers
21-10 COL.	NONE = 0	0-3.55 mm	0.25 (MAPS)
22-25 COL.	1 = A	3-4.55 mm	
	2 = B	3-3.55 mm	0.76
	ETC.	4-4.55 mm	
		5-5.55 mm	
		7-3.55 mm	
		8-4.55 mm	1.27
		9-5.55 mm	

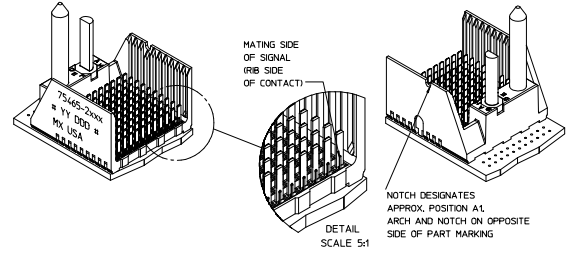
PART NUMBER TABLE				
ASSY PART NO.	K	L	P	TOTAL NO. OF CONTACTS
75465-21**	9	16.65	24.78	110
75465-22**	24	44.40	52.53	275
75465-23**	4	7.40	15.53	55

LEAD-FREE PLATING



P/N	---0*	---1*	---2*	---3*	---4*	---5*	---6*	---7*	---8*
75465-1 )	0	A	B	C	D	E	F	G	H

KEYING PIN ORIENTATION



REV. TO LEAD-FREE	QUALITY SYMBOLS	GENERAL TOLERANCES (UNLESS SPECIFIED)		DIMENSION STYLE		SCALE	DESIGN LIMITS	THIRD ANGLE PROJECTION
		mm	INCH	MM ONLY	MM ONLY	5:1	METRIC	☉
REV. 01/01/06	4 PLACES ±	±0.25	±0.010	DATE	DATE			
REV. 02/02/06	3 PLACES ±	±0.25	±0.010	DATE	DATE			
REV. 03/03/06	2 PLACES ±	±0.25	±0.010	DATE	DATE			
REV. 04/04/06	1 PLACE ±	±0.38	±0.015	DATE	DATE			
REV. 05/05/06	0 PLACE ±	±	±	DATE	DATE			

DRAWN BY: NMARTIN  
 CHECKED BY: SREED  
 APPROVED BY: CBIXLER  
 DATE: 2004/12/17  
 DATE: 2004/12/17  
 DATE: 2004/12/17

MATERIAL: SEE CHART  
 DRAFT WHERE APPLICABLE MUST REMAIN WITHIN DIMENSIONS  
 THIS DRAWING CONTAINS INFORMATION THAT IS PROPRIETARY TO MOLEX INCORPORATED AND SHOULD NOT BE USED WITHOUT WRITTEN PERMISSION

TITLE: GBX 4-PAIR L-SERIES LF LEFT END BACKPLANE SALES ASSEMBLY DRAWING  
 DOCUMENT NO.: SD-75465-210  
 SHEET NO.: 1 OF 1