

## Excellent Integrated System Limited

Stocking Distributor

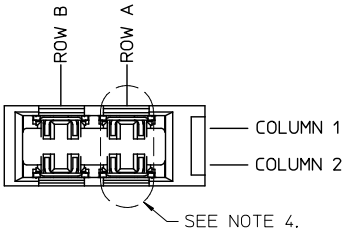
Click to view price, real time Inventory, Delivery & Lifecycle Information:

[Molex Connector Corporation](#)  
[0754921055](#)

For any questions, you can email us directly:

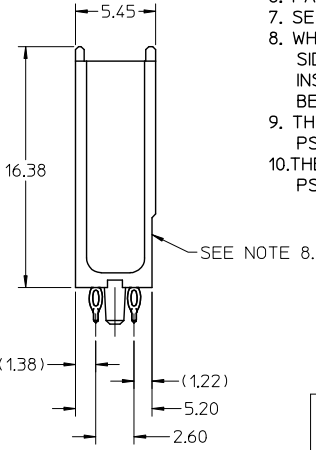
[sales@integrated-circuit.com](mailto:sales@integrated-circuit.com)

10 9 8 7 6 5 4 3 2 1

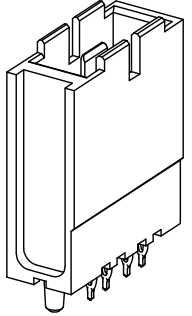


NOTES:

1. MATERIALS: HOUSING - LIQUID CRYSTAL POLYMER (LCP), UL 94V-0, GRAY; CONTACT - COPPER ALLOY
2. FINISH: SELECT GOLD IN CONTACT AREA, 50 MICROINCH THICK, MATTE TIN IN COMPLIANT AREA.
3. PACKAGING PER PK-70873-578.
4. CONTACTS IN EACH ROW HAVE THE SAME WIPE LENGTH.
5. BACKPLANE ASSEMBLY MATES WITH DAUGHTERCARD POWER MODULE 75292-2\*\*\*.
6. PART SHOWN IS 75492-1067.
7. SEE OTHER SHEETS FOR ADDITIONAL NOTES.
8. WHEN INSERTING OPEN SIGNAL MODULES NEXT TO COLUMN 1 SIDE OF POWER MODULES, SIGNAL MODULES MUST BE INSERTED BEFORE THE POWERS TO AVOID INTERFERENCE BETWEEN THE TWO CONNECTOR HOUSINGS.
9. THESE PARTS CONFORM TO MOLEX PRODUCT SPECIFICATION PS-75221-999.
10. THESE PARTS CONFORM TO MOLEX COSMETIC SPECIFICATION PS-45499-002 CLASS B.



THE PRIMARY CARTON WITH A LABEL STATING "ELV AND RoHS COMPLIANT" IS LEAD FREE. CARTONS WITHOUT THIS LABEL MAY CONTAIN LEAD.



1-UP ASSEMBLY PART NUMBER

7 5 4 9 2 - 1 0 A B

- MATTE TIN (FORMERLY TIN/LEAD) PLATED PRODUCT - FOR EACH ROW LOCATION A, B:

- 4 = 4.5 mm
- 6 = 6.0 mm
- 7 = 7.5 mm

- MATTE TIN PLATED PRODUCT - FOR EACH ROW LOCATION A, B:

- 2 = 4.5 mm
- 3 = 6.0 mm
- 5 = 7.5 mm

SEE SHEET 4 FOR HOLE PATTERN LAYOUT

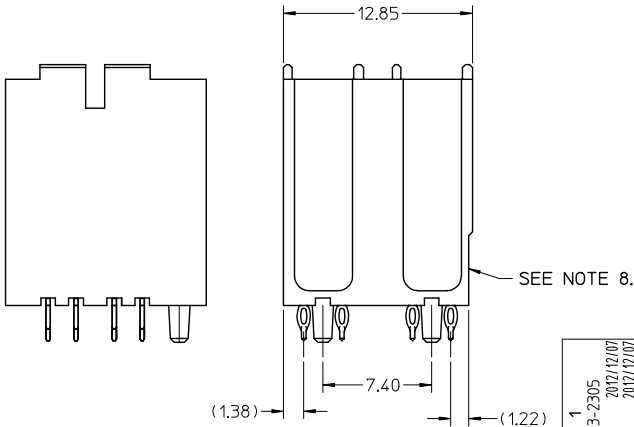
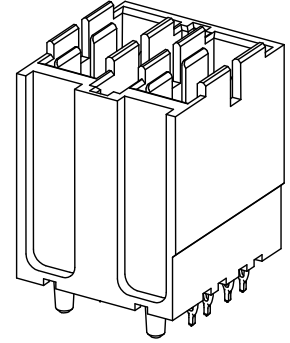
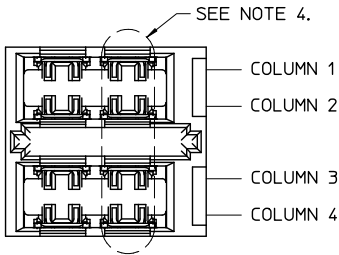
<b>LEAD FREE CONVERSION</b> EC NO: UCP2013-2305 DR: WIRTHLE 2012/12/07 CHK: KIMOLFE 2012/12/07 APPR: SKILLER 2012/12/17	QUALITY SYMBOLS $\nabla=0$ $\nabla=0$ $\nabla=0$	GENERAL TOLERANCES (UNLESS SPECIFIED)		DIMENSION STYLE		SCALE	DESIGN UNITS	THIRD ANGLE PROJECTION			
				MM ONLY		4:1	METRIC				
				mm	INCH	DRAWN BY	DATE	TITLE			
						ELO	2005/07/01	GBX 2 PAIR BACKPLANE POWER SALES ASSEMBLY			
D REV	DESCRIPTION	4 PLACES ± --- ± ---		CHECKED BY		DATE					
		3 PLACES ± --- ± ---		ELO		2005/07/01					
		2 PLACES ± 0.13 ± ---		APPROVED BY		DATE					
		1 PLACE ± 0.25 ± ---		JB INGHAM		2010/09/20					
0 PLACE ± ±		ANGULAR ± 5 °		MATERIAL NO.		DOCUMENT NO.		SHEET NO.			
DRAFT WHERE APPLICABLE MUST REMAIN WITHIN DIMENSIONS		SEE CHART		SD-75492-001		SD-75492-001		1 OF 4			
		SIZE B		THIS DRAWING CONTAINS INFORMATION THAT IS PROPRIETARY TO MOLEX INCORPORATED AND SHOULD NOT BE USED WITHOUT WRITTEN PERMISSION							

9 8 7 6 5 4 3 2 1

2-UP ASSEMBLY PART NUMBER

7 5 4 9 2 - 2 0 A B

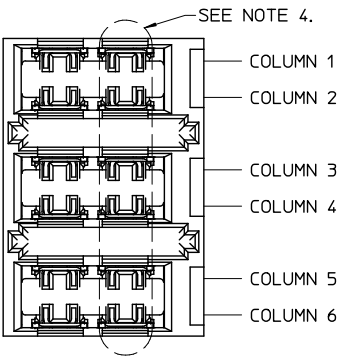
- MATTE TIN (FORMERLY TIN/LEAD) PLATED PRODUCT -  
FOR EACH ROW LOCATION A, B:  
4 = 4.5 mm  
6 = 6.0 mm  
7 = 7.5 mm
- MATTE TIN PLATED PRODUCT -  
FOR EACH ROW LOCATION A, B:  
2 = 4.5 mm  
3 = 6.0 mm  
5 = 7.5 mm



SEE SHEET 1 FOR ADDITIONAL INFORMATION  
CHECK WITH PRODUCT MANAGER FOR AVAILABILITY

SEE SHEET 1 EC NO: UCP2013-2305 DRAWN BY: DRWINHIPPLE 2012/12/07 CHECKED BY: CHKCHMOLLE 2012/12/07 APPR: SMILLER 2012/12/17 REV:	QUALITY SYMBOLS ▽=0 ▽=0 ▽=0	GENERAL TOLERANCES (UNLESS SPECIFIED) <table border="1"> <thead> <tr> <th></th> <th>mm</th> <th>INCH</th> </tr> </thead> <tbody> <tr> <td>4 PLACES</td> <td>± .---</td> <td>± .---</td> </tr> <tr> <td>3 PLACES</td> <td>± .---</td> <td>± .---</td> </tr> <tr> <td>2 PLACES</td> <td>± 0.13</td> <td>± .---</td> </tr> <tr> <td>1 PLACE</td> <td>± 0.25</td> <td>± .---</td> </tr> <tr> <td>0 PLACE</td> <td>±</td> <td>±</td> </tr> </tbody> </table>		mm	INCH	4 PLACES	± .---	± .---	3 PLACES	± .---	± .---	2 PLACES	± 0.13	± .---	1 PLACE	± 0.25	± .---	0 PLACE	±	±	DIMENSION STYLE MM ONLY	SCALE 4:1	DESIGN UNITS METRIC	THIRD ANGLE PROJECTION
		mm	INCH																					
4 PLACES	± .---	± .---																						
3 PLACES	± .---	± .---																						
2 PLACES	± 0.13	± .---																						
1 PLACE	± 0.25	± .---																						
0 PLACE	±	±																						
DRAWN BY: ELO CHECKED BY: ELO APPROVED BY: JB INGHAM DATE: 2005/07/01 DATE: 2005/07/01 DATE: 2010/09/20	TITLE GBX 2 PAIR BACKPLANE POWER SALES ASSEMBLY	MATERIAL NO. SEE CHART	DOCUMENT NO. SD-75492-001	SHEET NO. 2 OF 4																				

10 | 9 | 8 | 7 | 6 | 5 | 4 | 3 | 2 | 1



3-UP ASSEMBLY PART NUMBER

7 5 4 9 2 - 3 0 A B

- MATTE TIN (FORMERLY TIN/LEAD) PLATED PRODUCT -  
FOR EACH ROW LOCATION A, B:

4 = 4.5 mm

6 = 6.0 mm

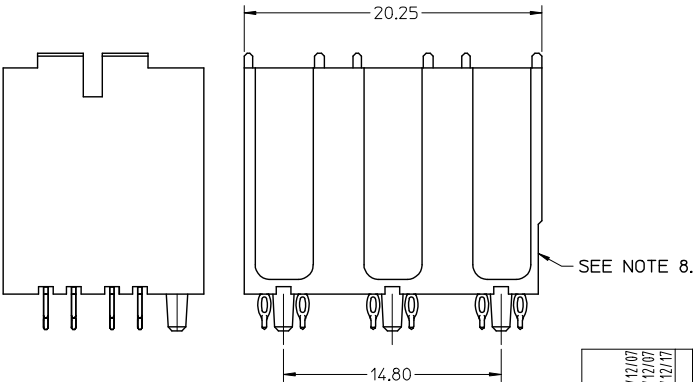
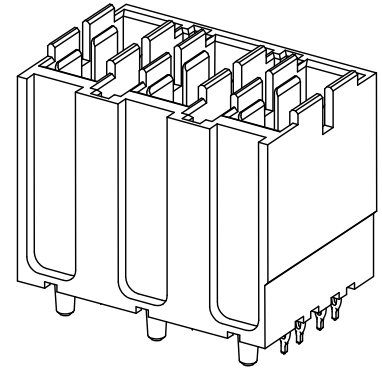
7 = 7.5 mm

- MATTE TIN PLATED PRODUCT -  
FOR EACH ROW LOCATION A, B:

2 = 4.5 mm

3 = 6.0 mm

5 = 7.5 mm



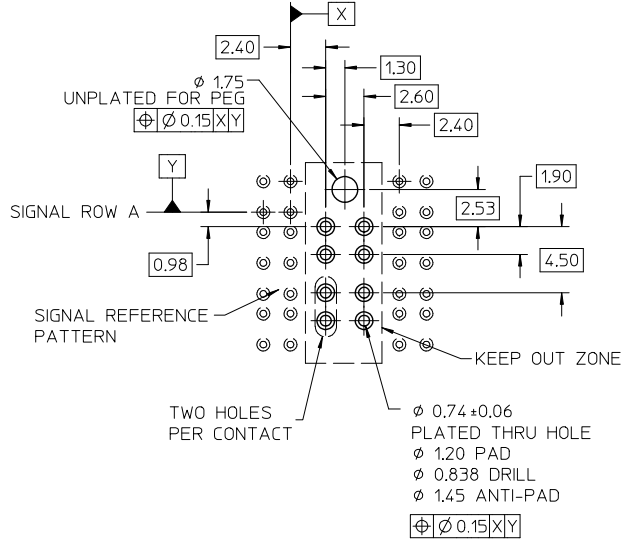
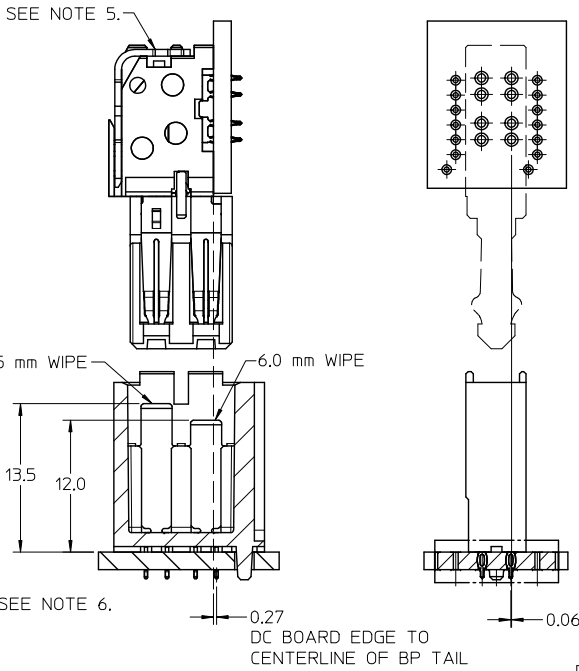
SEE SHEET 1 FOR ADDITIONAL INFORMATION  
CHECK WITH PRODUCT MANAGER FOR AVAILABILITY

SEE SHEET 1 EC NO: UCP2013-2305 DRAWN BY: DRWINHUPPLE 2012/12/07 CHECKED BY: CHUCKWOLFE 2012/12/07 APPROVED BY: APPR:SMILLER 2012/12/17 REV: D	QUALITY SYMBOLS	GENERAL TOLERANCES (UNLESS SPECIFIED)		DIMENSION STYLE MM ONLY		SCALE 4:1	DESIGN UNITS METRIC	THIRD ANGLE PROJECTION
	▽=0	mm	INCH	DRAWN BY	DATE	TITLE		
	▽=0	4 PLACES ± --- ± ---	3 PLACES ± --- ± ---	ELO	2005/07/01	GBX 2 PAIR BACKPLANE POWER SALES ASSEMBLY		
	▽=0	2 PLACES ± 0.13 ± ---	1 PLACE ± 0.25 ± ---	CHECKED BY	DATE			
▽=0	0 PLACE ± ±	ANGULAR ± 5 °	ELO	2005/07/01	DOCUMENT NO. SD-75492-001			
	DRAFT WHERE APPLICABLE MUST REMAIN WITHIN DIMENSIONS	MATERIAL NO. SEE CHART		APPROVED BY		DATE	SHEET NO. 3 OF 4	
		SIZE B		THIS DRAWING CONTAINS INFORMATION THAT IS PROPRIETARY TO MOLEX INCORPORATED AND SHOULD NOT BE USED WITHOUT WRITTEN PERMISSION				

9 | 8 | 7 | 6 | 5 | 4 | 3 | 2 | 1

**HOLE PATTERN FOR 1-UP ASSEMBLY**

- 1.) ADD 7.40 FROM CENTERLINES OF PEG FOR MULTIPLE UP ASSEMBLIES
- 2.) USE 5.55 FROM CENTERLINE TO CENTERLINE OF PEG FOR INDIVIDUAL POWER MODULES STACKED NEXT TO EACH OTHER.



SEE SHEET 1 EC NO: UC2013-2305 DRAWN BY: CHYKHOLOE CHECKED BY: APPR:SMILLER DATE: 2012/12/07 DATE: 2012/12/07 DATE: 2012/12/17	QUALITY SYMBOLS	GENERAL TOLERANCES (UNLESS SPECIFIED)	DIMENSION STYLE	SCALE	DESIGN UNITS	THIRD ANGLE PROJECTION
	$\nabla = 0$ $\nabla = 0$ $\nabla = 0$	mm    INCH 4 PLACES ± --- ± --- 3 PLACES ± --- ± --- 2 PLACES ± 0.13 ± --- 1 PLACE ± 0.25 ± --- 0 PLACE ±     ±	MM ONLY	4:1	METRIC	GBX 2 PAIR BACKPLANE POWER SALES ASSEMBLY <b>molex</b>
	ANGULAR ± 5 ° DRAFT WHERE APPLICABLE MUST REMAIN WITHIN DIMENSIONS	DRAWN BY: ELO    DATE: 2005/07/01 CHECKED BY:     DATE: 2005/07/01 APPROVED BY: J.B. INGHAM    DATE: 2010/09/20	TITLE	MATERIAL NO.	DOCUMENT NO.	SHEET NO.
	SEE CHART	SEE CHART	SD-75492-001	4 OF 4	THIS DRAWING CONTAINS INFORMATION THAT IS PROPRIETARY TO MOLEX INCORPORATED AND SHOULD NOT BE USED WITHOUT WRITTEN PERMISSION	