

Excellent Integrated System Limited

Stocking Distributor

Click to view price, real time Inventory, Delivery & Lifecycle Information:

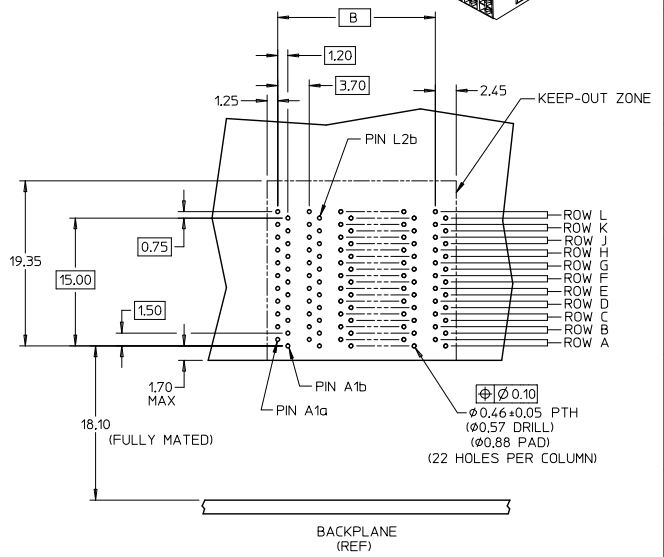
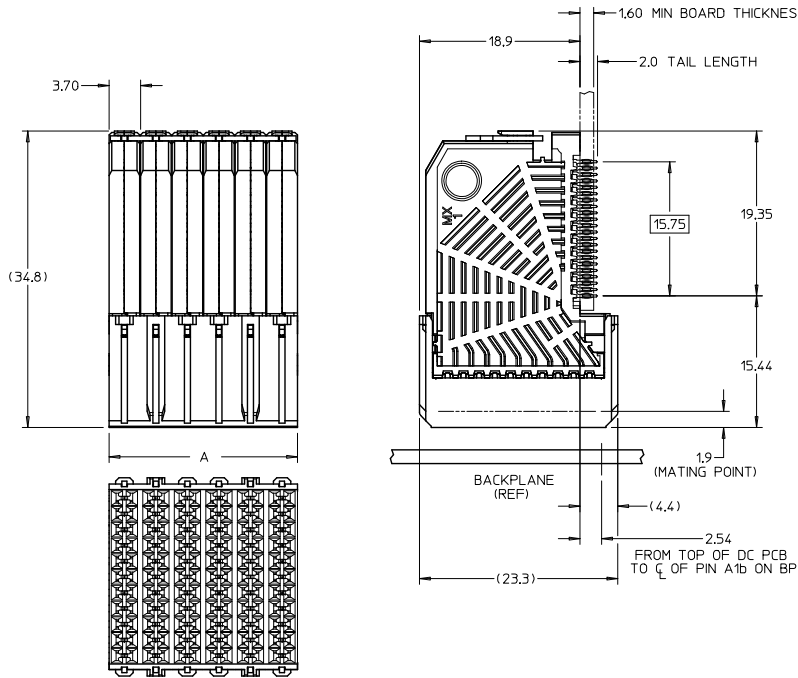
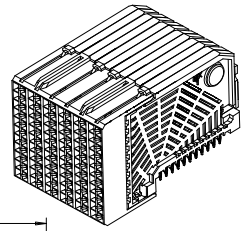
[Molex Connector Corporation](#)
[0757100010](#)

For any questions, you can email us directly:
sales@integrated-circuit.com

MATERIAL NUMBER	# OF COLUMNS	DIM 'A' MAX	DIM 'B'
75710-***5	5	18.50	14.80
75710-***6	6	22.20	18.50
75710-***8	8	29.60	25.90
75710-***0	10	37.00	33.30

MODULE TYPE -- TAIL PLATING TYPE
 UNGUIDED -- MATTE TIN (FORMERLY TIN/LEAD) = 0
 UNGUIDED -- MATTE TIN = 1

OF COLUMNS/PLATING
 05 = 5 COL 30 GOLD
 06 = 6 COL 30 GOLD
 08 = 8 COL 30 GOLD
 10 = 10 COL 30 GOLD
 55 = 5 COL 10 GOLD (MAPS)
 56 = 6 COL 10 GOLD (MAPS)
 58 = 8 COL 10 GOLD (MAPS)
 50 = 10 COL 10 GOLD (MAPS)



DAUGHTERCARD HOLE PATTERN (CONNECTOR SIDE)

NOTES:

- MATERIALS: HOUSING - LIQUID CRYSTAL POLYMER (LCP) GLASS-FILLED, UL94V-0
 TERMINALS - HIGH PERFORMANCE COPPER ALLOY
- FINISH: SELECTIVE GOLD IN CONTACT AREA.
 SELECTIVE MATTE TIN ON PCB TAILS, NICKEL OVERALL.
- REFER TO MOLEX PRODUCT SPEC PS-75710-999 FOR PERFORMANCE SPECIFICATIONS.
- PRODUCT IS PACKAGED PER PK-70873-609.
- THIS PART CONFORMS TO CLASS B REQUIREMENTS OF COSMETIC SPEC PS-45499-002.
- MAPS (MOLEX ADVANCED PLATING SYSTEM)

REV	DESCRIPTION	QUALITY SYMBOLS	GENERAL TOLERANCES (UNLESS SPECIFIED)		DIMENSION STYLE		SCALE	DESIGN UNITS	THIRD ANGLE PROJECTION
			mm	INCH	MM ONLY	DATE			
4	PLACES	±	---	---	DRAWN BY	DATE	3:1	METRIC	I-TRAC DAUGHTERCARD 11 ROW SIGNAL MODULE UNGUIDED SALES DWG
3	PLACES	±	---	---	CHECKED BY	DATE			
2	PLACES	±	0.13	---	NMARTIN	09/01/2005			
1	PLACE	±	0.25	---	APPROVED BY	DATE			
0	PLACE	±	---	---	CBIXLER	09/01/2005			
			ANGULAR ±1/2°		MATERIAL NO.	DOCUMENT NO.			SHEET NO.
			DRAFT WHERE APPLICABLE MUST REMAIN WITHIN DIMENSIONS		SEE CHART		SD-75710-001		1 OF 1
THIS DRAWING CONTAINS INFORMATION THAT IS PROPRIETARY TO MOLEX INCORPORATED AND SHOULD NOT BE USED WITHOUT WRITTEN PERMISSION									