

Excellent Integrated System Limited

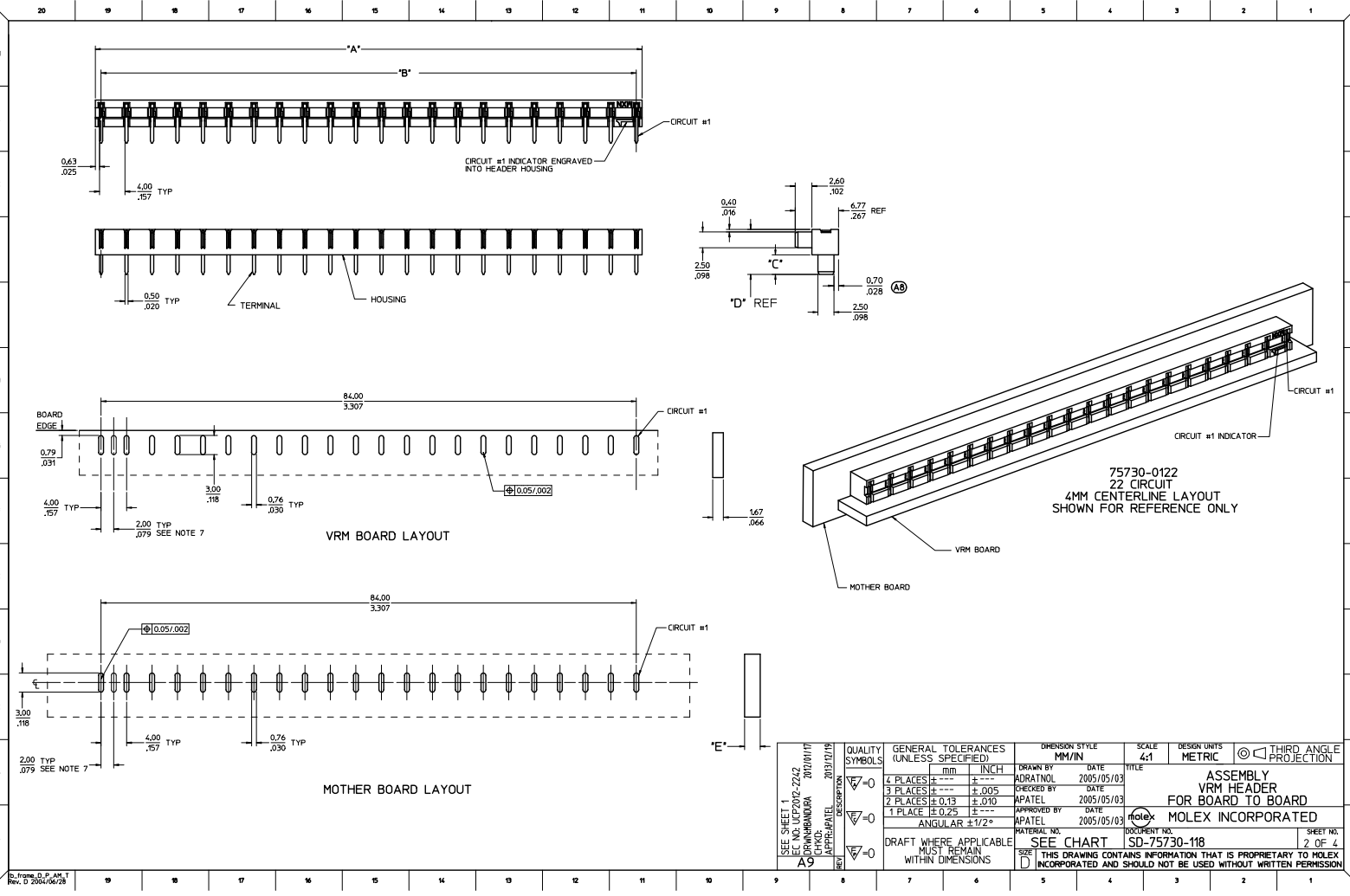
Stocking Distributor

Click to view price, real time Inventory, Delivery & Lifecycle Information:

[Molex Connector Corporation](#)
[0757300220](#)

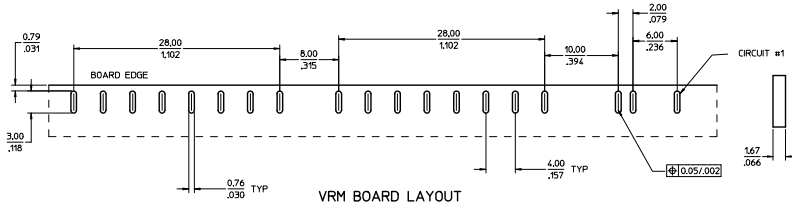
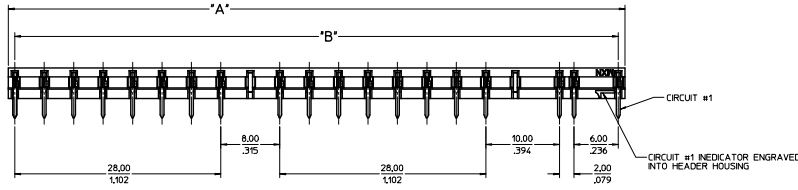
For any questions, you can email us directly:

sales@integrated-circuit.com

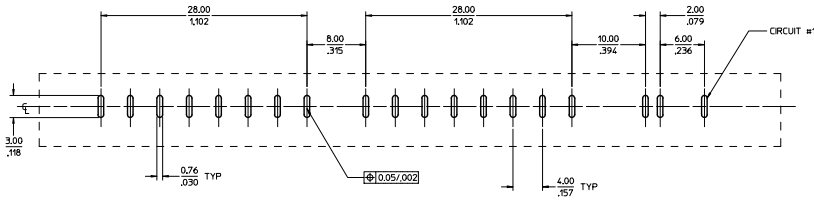


SEE SHEET 1 EC NO. UEP202-2242 DRN/DRANDRA 207/01/17 CHKD: A9 APPR: APATEL 207/02/16 REV:	QUALITY SYMBOLS	GENERAL TOLERANCES (UNLESS SPECIFIED)	DIMENSION STYLE	SCALE	DESIGN UNITS	THIRD ANGLE PROJECTION
	$\nabla=0$ $\nabla=0$ $\nabla=0$	4 PLACES ±--- ±--- 3 PLACES ±--- ±.005 2 PLACES ±0.13 ±.010 1 PLACE ±0.25 ±--- ANGULAR ±1/2°	MM/IN DRAWN BY: ADRAINOL DATE: 2005/05/03 CHECKED BY: APATEL DATE: 2005/05/03 APPROVED BY: APATEL DATE: 2005/05/03	4:1	METRIC	
	DRAFT WHERE APPLICABLE MUST REMAIN WITHIN DIMENSIONS	MATERIAL NO. SEE CHART SIZE D THIS DRAWING CONTAINS INFORMATION THAT IS PROPRIETARY TO MOLEX INCORPORATED AND SHOULD NOT BE USED WITHOUT WRITTEN PERMISSION	TITLE: ASSEMBLY VRM HEADER FOR BOARD TO BOARD MOLEX MOLEX INCORPORATED DOCUMENT NO. SD-75730-118 SHEET NO. 2 OF 4			
	15:\frame_0.p_A9.t Rev. D 2004/06/28					

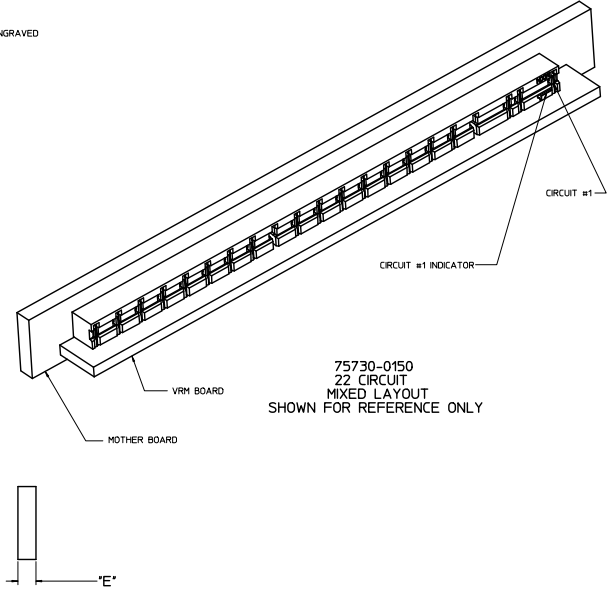
20 19 18 17 16 15 14 13 12 11 10 9 8 7 6 5 4 3 2 1



VRM BOARD LAYOUT

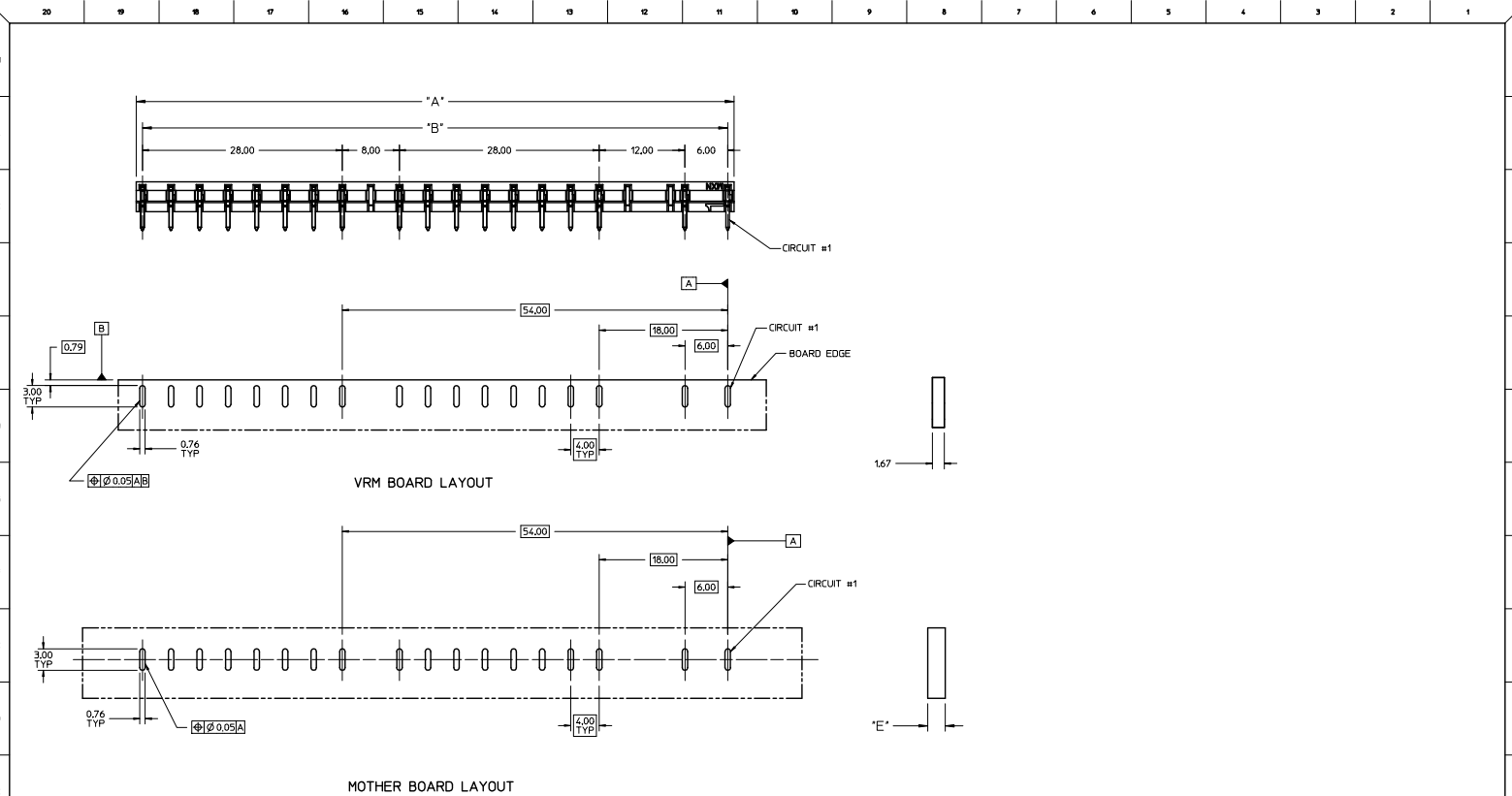


MOTHER BOARD LAYOUT



QUALITY SYMBOL	GENERAL TOLERANCES (UNLESS SPECIFIED)		DIMENSION STYLE		SCALE	DESIGN UNITS	THIRD ANGLE PROJECTION
	mm	INCH	MM/IN				
√-0	4 PLACES	±.005	±.005	DRAWN BY	DATE	TITLE	
√-0	3 PLACES	±.005	±.005	ADRAINOL	2005/05/03	ASSEMBLY VRM HEADER FOR BOARD TO BOARD	
√-0	2 PLACES	±.010	±.010	CHECKED BY	DATE		
√-0	1 PLACE	±.025	±.025	APATEL	2005/05/03	APATEL	
√-0	ANGULAR ±1/2°			APPROVED BY	DATE		
DRAFT WHERE APPLICABLE MUST REMAIN WITHIN DIMENSIONS			MATERIAL NO.		SEE CHART	DOCUMENT NO.	
			SIZE		D	SD-75730-118	SHEET NO. 3 OF 4
THIS DRAWING CONTAINS INFORMATION THAT IS PROPRIETARY TO MOLEX INCORPORATED AND SHOULD NOT BE USED WITHOUT WRITTEN PERMISSION							

19 18 17 16 15 14 13 12 11 10 9 8 7 6 5 4 3 2 1



75730-0251 SHOWN
18 CIRCUIT
MIXED LAYOUT

SEE SHEET 1 EC NO. 075730-2242 DRN/SHANDRA 2017/01/17 CHKD: APPROV: APATEL DESIGNED BY:	QUALITY SYMBOLS	GENERAL TOLERANCES (UNLESS SPECIFIED)	DIMENSION STYLE	SCALE	DESIGN UNITS	THIRD ANGLE PROJECTION
	∇=0 ∇=0 ∇=0	4 PLACES ±.005 3 PLACES ±.005 2 PLACES ±.010 1 PLACE ±.025 ANGULAR ±1/2°	MM/IN DRAWN BY: ADRAINOL CHECKED BY: APATEL APPROVED BY: APATEL DATE: 2005/05/03 DATE: 2005/05/03 DATE: 2005/05/03	4:1	METRIC	ASSEMBLY VRM HEADER FOR BOARD TO BOARD MOLEX INCORPORATED
	DRAFT WHERE APPLICABLE MUST REMAIN WITHIN DIMENSIONS	MATERIAL NO. SEE CHART	DOCUMENT NO. SD-75730-118	SHEET NO. 4 OF 4		
	SIZE D THIS DRAWING CONTAINS INFORMATION THAT IS PROPRIETARY TO MOLEX INCORPORATED AND SHOULD NOT BE USED WITHOUT WRITTEN PERMISSION					