

Excellent Integrated System Limited

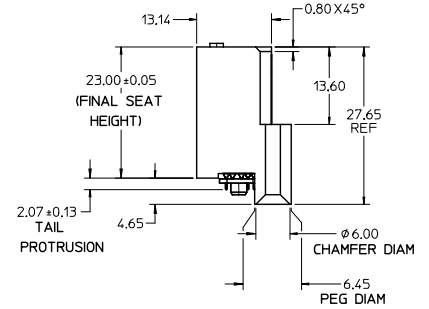
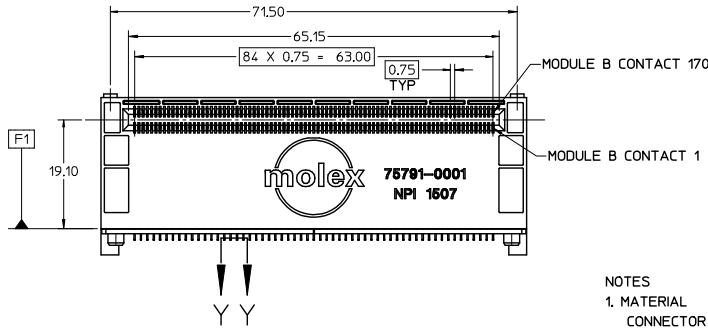
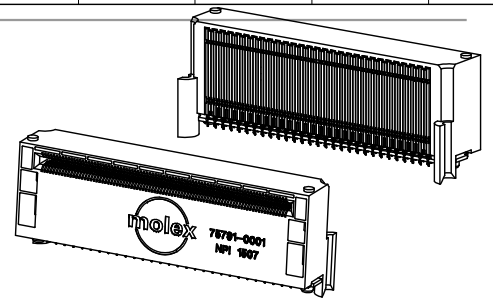
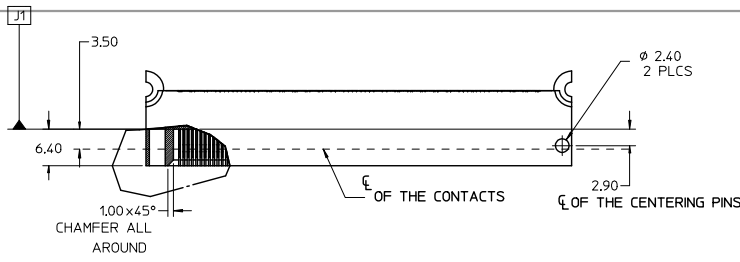
Stocking Distributor

Click to view price, real time Inventory, Delivery & Lifecycle Information:

[Molex Connector Corporation](#)
[0757910001](#)

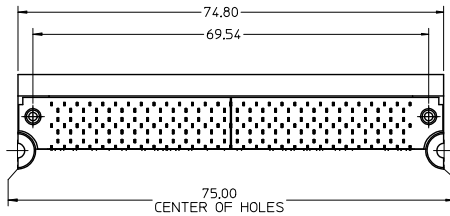
For any questions, you can email us directly:

sales@integrated-circuit.com



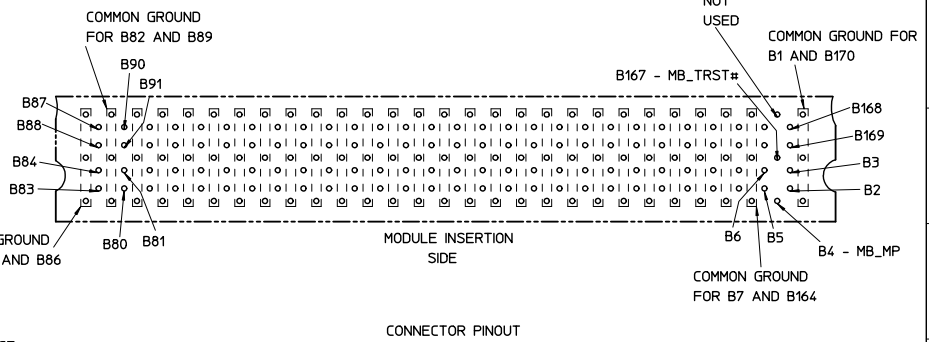
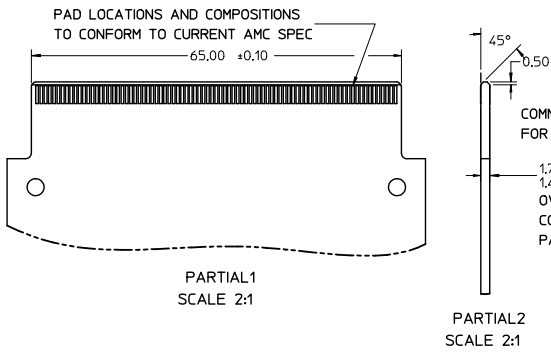
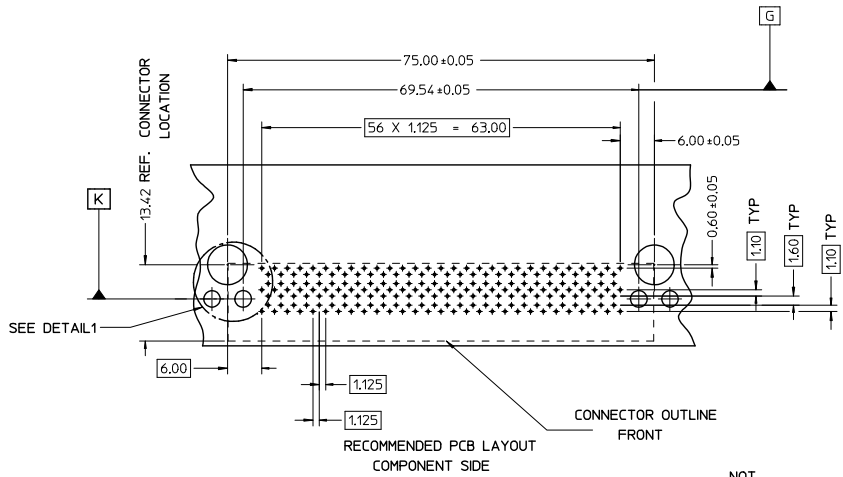
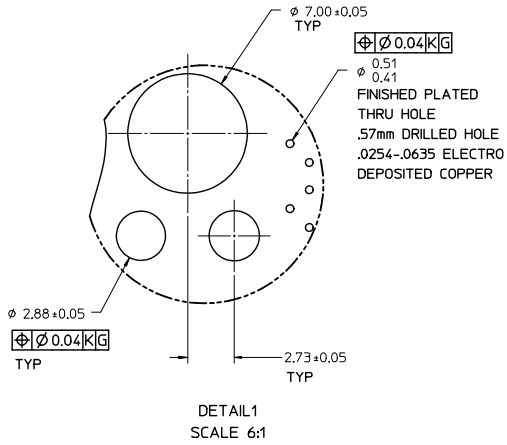
- NOTES**
- MATERIAL**
CONNECTOR HOUSING: GLASS FILLED LCP, 94 V-0, COLOR BLACK
OVERMOLDING ON TERMINAL: GLASS FILLED LCP, COLOR: BLACK
TERMINALS: COPPER ALLOY, SPRING TEMPER
 - TERMINAL FINISH: CONTACT AREA: 0.75µm MIN. HARD GOLD OVER 125µm MIN. NICKEL.**
75791-0001 COMPLIANT AREA: 0.75-150µm TIN OVER 0.75-150µm NICKEL
75791-0002 COMPLIANT AREA: 0.75-150µm 90/10 TIN LEAD OVER 0.75-150µm NICKEL
 - REFER TO PS-75800-001 PRODUCT SPEC FOR ALL ELECTRICAL, MECHANICAL AND ENVIRONMENTAL SPECIFICATIONS.
 - REFER TO PK-75800-203 AND PK-70873-560 FOR ALL PACKAGING SPECIFICATIONS.
 - REFER TO AS-75800-001 FOR BOARD APPLICATION INFORMATION.
 - DATE CODE AND PART NUMBER TO BE LASER ETCHED OR APPLIED BY A LABEL. INFO TO INCLUDE PART NUMBER, MANUFACTURING FACILITY AND DATE CODE IN THE FORMAT OF WEEK AND LAST TWO DIGITS OF THE YEAR, WWYY.

SECTION Y-Y
TERMINAL TAIL
CROSS SECTION



PART NUMBER	COMPLIANT TAIL PLATING
75791-0001	TIN
75791-0002	90/10 TIN LEAD

CORRECT PK SPEC EC NO: UCP2016-3056 DRAWN BY: DRINKSWANG01 CHECKED BY: CHIKORCAIN APPROVED BY: APPROVCOMMAN DATE: 2016/02/02 DATE: 2016/02/02	QUALITY SYMBOLS ▽=0 ▽=0 ▽=0	GENERAL TOLERANCES (UNLESS SPECIFIED)		DIMENSION STYLE MM ONLY		SCALE 2:1	DESIGN UNITS METRIC	THIRD ANGLE PROJECTION	
		4 PLACES ± --- ± ---	3 PLACES ± --- ± 0.05	2 PLACES ± 0.13 ± 0.10	1 PLACE ± 0.25 ± ---	0 PLACE ± ±	DRAWN BY: SVANG01 DATE: 2016/02/02	CHECKED BY: MCAIN DATE: 2016/02/02	TITLE ADVANCED MC B+ TALL STYLE CONNECTOR SALES DRAWING
		ANGULAR ±1/2°		MATERIAL NO.		DOCUMENT NO.		SHEET NO.	
		DRAFT WHERE APPLICABLE MUST REMAIN WITHIN DIMENSIONS		SEE TABLE		SD-75791-001		1 OF 2	
THIS DRAWING CONTAINS INFORMATION THAT IS PROPRIETARY TO MOLEX INCORPORATED AND SHOULD NOT BE USED WITHOUT WRITTEN PERMISSION									



SEE SHEET 1 IEC NO: UCP2016-3056 DRAWNSWANG01 2016/02/02 CHK KOBKICAIN 2016/02/02 APPROVED GOMAN 2016/02/17	QUALITY SYMBOLS 	GENERAL TOLERANCES (UNLESS SPECIFIED)		DIMENSION STYLE		SCALE	DESIGN UNITS	THIRD ANGLE PROJECTION		
				MM ONLY		2:1	METRIC			
		4 PLACES	±	---	---	DRAWN BY	DATE	TITLE		
		3 PLACES	±	---	± 0.05	SVANG01	2016/02/02	ADVANCED MC B+ TALL STYLE CONNECTOR SALES DRAWING		
2 PLACES	±	0.13	± 0.05	CHECKED BY	DATE					
1 PLACE	±	0.25	---	MCAIN	2016/02/02					
0 PLACE	±	---	---	APPROVED BY	DATE	molex				
ANGULAR ±1/2°				MATERIAL NO.		DOCUMENT NO.		SHEET NO.		
DRAFT WHERE APPLICABLE MUST REMAIN WITHIN DIMENSIONS				SEE TABLE		SD-75791-001		2 OF 2		
THIS DRAWING CONTAINS INFORMATION THAT IS PROPRIETARY TO MOLEX INCORPORATED AND SHOULD NOT BE USED WITHOUT WRITTEN PERMISSION										