

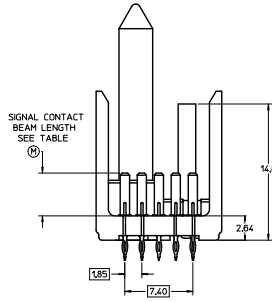
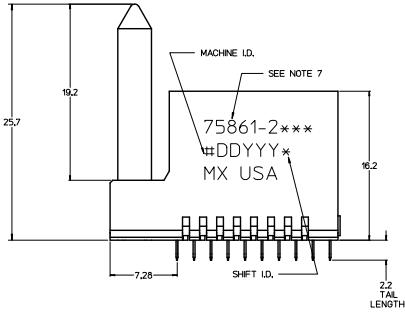
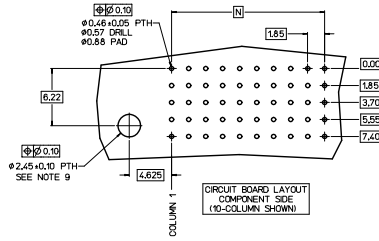
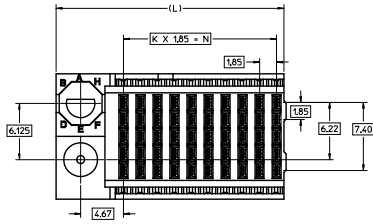
Excellent Integrated System Limited

Stocking Distributor

Click to view price, real time Inventory, Delivery & Lifecycle Information:

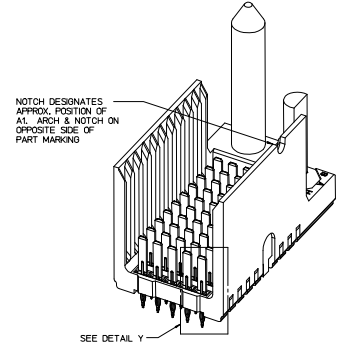
[Molex Connector Corporation](#)
[0758612104](#)

For any questions, you can email us directly:
sales@integrated-circuit.com

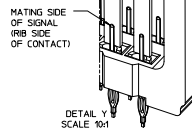
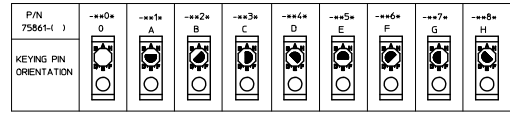


75861-2***	PIN LENGTH DIM #1	GOLD (Au) THICKNESS micrometers	CONFIGURATION			
			ASSEMBLY NO.	K	N	(L)
21 = 10	0-3.55 mm	0.25 (MAPS)	75861-25**	4	7.40	6.53
22 = 25	4-5.55 mm		75861-21**	9	18.05	12.78
25 = 5	3-3.55 mm	0.76	75861-22**	24	44.40	52.93
	4-4.55 mm					
	5-5.55 mm					
	7-3.55 mm	1.27				
	6-4.55 mm					
	9-5.55 mm					

KEYING POSITION
0 = NONE
1 = A
2 = B
ETC.



THE PRIMARY CARTON WITH A LABEL STATING "ELV AND RoHS COMPLAINT" IS LEAD FREE. CARTONS WITHOUT THIS LABEL MAY CONTAIN LEAD.



- NOTES:
1. MATERIAL: HOUSING - LIQUID CRYSTAL POLYMER (LCP), GLASS-FILLED UL 94V-0, GRAY. SIGNAL CONTACTS - HIGH PERFORMANCE COPPER ALLOY.
 2. FINISHES: SELECTIVE GOLD (Au) ON CONTACT AREA, SELECTIVE MATTE TIN (Sn) ON TAIL AREA, NICKEL (Ni) OVERALL.
 3. 10-COLUMN ASSEMBLY SHOWN AS REFERENCE. SEE TABLE AND CHART FOR OTHER OPTIONS.
 4. PARTS PACKAGED PER PK-70873-5058.
 5. THIS PART CONFORMS TO MOLEX PRODUCT SPECIFICATION PS-75221-999.
 6. FOR MIXED CONTACT MATING LENGTH CONSULT MOLEX.
 7. EITHER MARK PART NUMBER AND DATE CODE APPROXIMATELY WHERE SHOWN OR PLACE A LABEL ON THE TUBE.
 8. MINIMUM CIRCUIT BOARD THICKNESS: 1.6
 9. OPTIONAL HOLE LOCATION FOR GROUNDED GUIDE PIN OR FOR ADDITIONAL GUIDE PIN SUPPORT. HOLE TO BE PLATED, DRILL SIZE Ø258, PAD SIZE Ø550
 10. THESE PARTS CONFORM TO MOLEX COSMETIC SPECIFICATION PS-45499-002 CLASS B.
 11. MAPS (MOLEX ADVANCED PLATING SYSTEM).

LEAD-FREE PLATING

REV. TO LEAD-FREE	QUALITY SYMBOLS	GENERAL TOLERANCES (UNLESS SPECIFIED)		DIMENSION STYLE		SCALE	DESIGN UNITS	THIRD ANGLE PROJECTION	
		mm	INCH	MM ONLY	MM ONLY				
REV. TO LEAD-FREE	▽=0	4 PLACES	±---	±---	MM ONLY	5:1	METRIC	THIRD ANGLE PROJECTION	
EC NO. UEP2013-9005	▽=0	3 PLACES	±---	±---	MM ONLY	5:1	METRIC	THIRD ANGLE PROJECTION	
DRWINGS 2012/09/05	▽=0	2 PLACES	±0.25	±---	MM ONLY	5:1	METRIC	THIRD ANGLE PROJECTION	
CHKD/MATE 2012/09/05	▽=0	1 PLACE	±0.38	±---	MM ONLY	5:1	METRIC	THIRD ANGLE PROJECTION	
APPROVAL/DESCRIPTION 2012/12/05	▽=0	0 PLACE	±---	±---	MM ONLY	5:1	METRIC	THIRD ANGLE PROJECTION	
		ANGULAR ±1/2°		MATERIAL NO.		DOCUMENT NO.		SHEET NO.	
		DRAFT WHERE APPLICABLE MUST REMAIN WITHIN DIMENSIONS		SEE CHART		SD-75861-210		1 OF 1	
		THIS DRAWING CONTAINS INFORMATION THAT IS PROPRIETARY TO MOLEX INCORPORATED AND SHOULD NOT BE USED WITHOUT WRITTEN PERMISSION							