

Excellent Integrated System Limited

Stocking Distributor

Click to view price, real time Inventory, Delivery & Lifecycle Information:

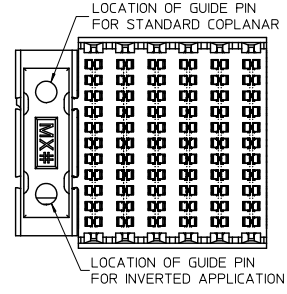
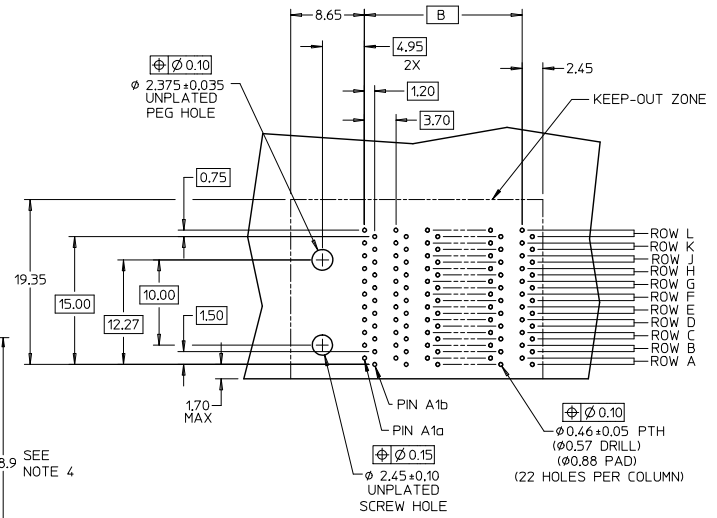
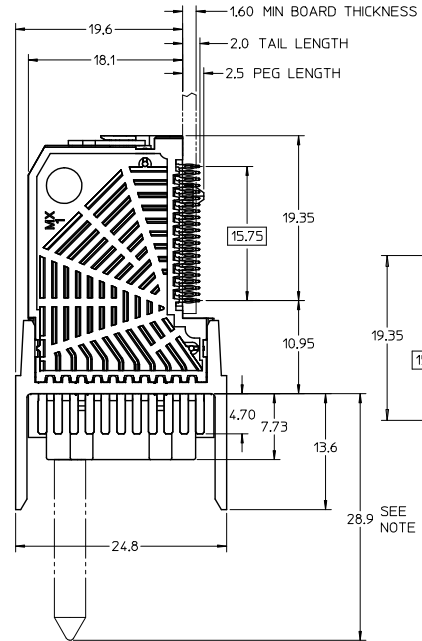
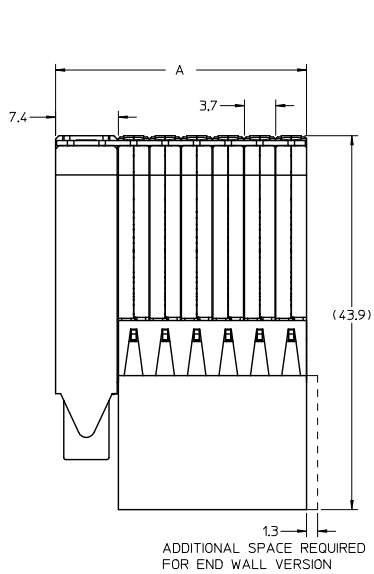
[Molex Connector Corporation](#)
[0759103133](#)

For any questions, you can email us directly:

sales@integrated-circuit.com

- NOTES:
1. MATERIALS: HOUSING - LIQUID CRYSTAL POLYMER (LCP), BLACK, UL94V-0
TERMINALS - HIGH PERFORMANCE COPPER ALLOY
 2. FINISH: SELECTIVE GOLD IN CONTACT AREA.
SELECTIVE MATTE TIN ON PCB TAILS, NICKEL OVERALL.
 3. MOLEX PRODUCT SPECIFICATION: PS-75710-999.
 4. OPTIONAL GUIDE PIN SHOWN IN COPLANAR LOCATION.
 5. PACKAGED PER PK-70873-585.
 6. THIS PART CONFORMS TO CLASS B REQUIREMENTS OF MOLEX COSMETIC SPEC. PS-45499-002.
 7. GUIDED PARTS TO BE SHIPPED WITH 2-32 TYPE AB SELF-TAPPING SCREW P/N 73726-0000.
 8. MAPS (MOLEX ADVANCED PLATING SYSTEM).

MATERIAL NUMBER	# OF COLUMNS	DIM 'A' MAX	DIM 'B'
75910- <i>*5**</i>	5	25.9	14.80
75910- <i>*6**</i>	6	29.6	18.50
75910- <i>*1**</i>	10	44.4	33.30



(75910-****3*)
(75910-****7*)

LEAD FREE CONV./MAPS EC NO: UCP2015-4121 DRAWN BY: TELLO CHKD BY: ELO APPR: BIXLER	QUALITY SYMBOLS	GENERAL TOLERANCES (UNLESS SPECIFIED)		DIMENSION STYLE		SCALE	DESIGN UNITS	THIRD ANGLE PROJECTION
		mm	INCH	MM ONLY	DATE			
DESCRIPTION	4 PLACES ±	---	---	DRAWN BY	2006/06/19	3:1	METRIC	I-TRAC 11 ROW RAM ASS'Y DIFFERENTIAL LONG NOSE GUIDE LEFT
	3 PLACES ±	---	---	CHECKED BY	2006/11/09			
	2 PLACES ±	0.13	---	APPROVED BY	DATE			SD-75910-002
	1 PLACE ±	0.25	---	BIXLER	2006/11/10			
	0 PLACE ±	---	---	MATERIAL NO.	DOCUMENT NO.	SHEET NO.		
	ANGULAR ±	1/2°		SEE CHART		1 OF 3		
	DRAFT WHERE APPLICABLE MUST REMAIN WITHIN DIMENSIONS			THIS DRAWING CONTAINS INFORMATION THAT IS PROPRIETARY TO MOLEX INCORPORATED AND SHOULD NOT BE USED WITHOUT WRITTEN PERMISSION				

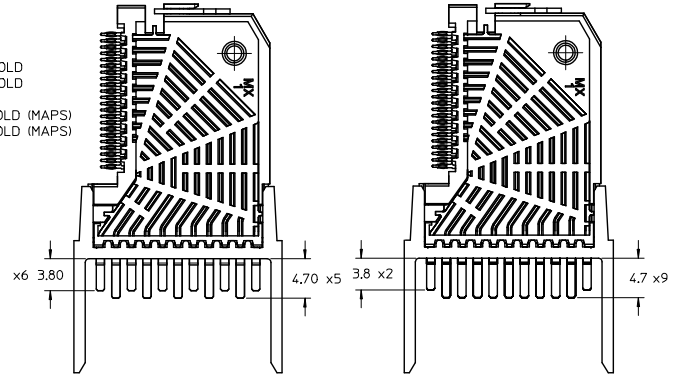
75910-*****

MODULE TYPE - TAIL PLATING TYPE
 GUIDE LEFT - MATTE TIN (FORMERLY TIN/LEAD) = 2
 GUIDE LEFT - MATTE TIN = 3
 GUIDE LEFT, END WALL - MATTE TIN (FORMERLY TIN/LEAD) = 6
 GUIDE LEFT, END WALL - MATTE TIN = 7

OF COLUMNS
 5 = 5 COL
 6 = 6 COL
 1 = 10 COL

PIN LENGTH/PLATING
 3 = 4.70 30 GOLD
 5 = 6 X 3.80, 5 X 4.70 STAGGERED 30 GOLD
 6 = 2 X 3.80, 9 X 4.70 STAGGERED 30 GOLD
 7 = 4.70 10 GOLD (MAPS)
 8 = 6 X 3.80, 5 X 4.70 STAGGERED 10 GOLD (MAPS)
 9 = 2 X 3.80, 9 X 4.70 STAGGERED 10 GOLD (MAPS)

ORIENTATION OF GUIDE POST
 2 = COPLANAR
 3 = INVERTED

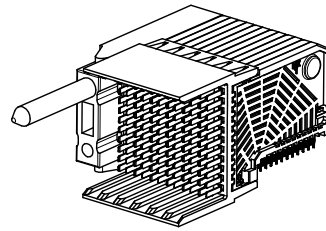
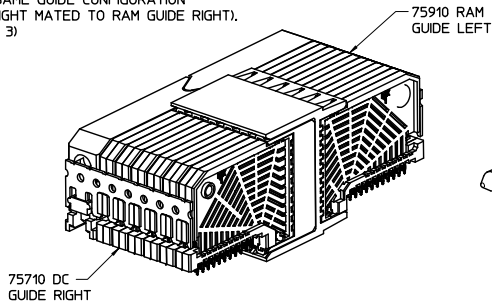


STAGGERED PIN OPTION
 (75910-***5)
 (75910-***8)

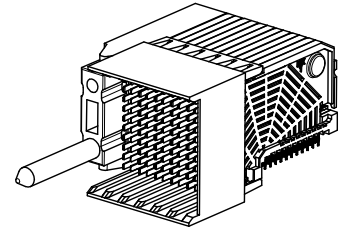
STAGGERED PIN OPTION
 (75910-***6)
 (75910-***9)

NOTE:

WHEN MATING RIGHT ANGLE MALE (RAM) TO A DAUGHTERCARD IN A COPLANAR APPLICATION, THE GUIDE CONFIGURATION IS OPPOSING (DC GUIDE RIGHT MATED TO RAM GUIDE LEFT). WHEN INVERTED, THE RAM AND DAUGHTERCARD HAVE THE SAME GUIDE CONFIGURATION (DC GUIDE RIGHT MATED TO RAM GUIDE RIGHT). (SEE SHEET 3)



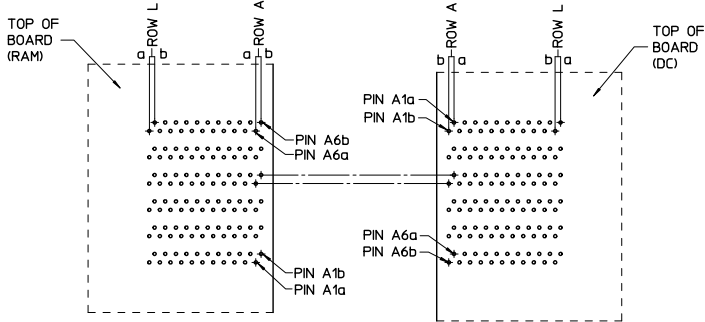
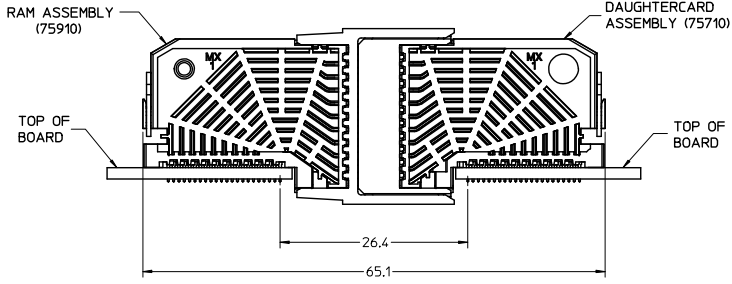
75910-2*2* or
 75910-3*2*
 GUIDE LEFT, COPLANAR



75910-6*3* or
 75910-7*3*
 GUIDE LEFT, END WALL,
 INVERTED

SEE SHEET 1 EC NO: UC2013-421 DRAWN BY: 2013/04/01 CHK'D BY: 2013/04/01 APPR: 2013/07/15 DESCRIPTION:	QUALITY SYMBOLS	GENERAL TOLERANCES (UNLESS SPECIFIED)	DIMENSION STYLE	SCALE	DESIGN UNITS	THIRD ANGLE PROJECTION	
	∇=0 ∇=0 ∇=0	4 PLACES ± --- ± --- 3 PLACES ± --- ± --- 2 PLACES ± 0.13 ± --- 1 PLACE ± 0.25 ± --- 0 PLACE ± ±	mm INCH DRAWN BY: TELO DATE: 2006/06/19 CHECKED BY: DATE: 2006/11/09 APPROVED BY: DATE: 2006/11/10 BIXLER	MM ONLY	2:1	METRIC	I-TRAC 11 ROW RAM ASS'Y DIFFERENTIAL LONG NOSE GUIDE LEFT
	ANGULAR ±1/2°	DRAFT WHERE APPLICABLE MUST REMAIN WITHIN DIMENSIONS	SEE CHART				molex SD-75910-002
							SHEET NO. 2 OF 3 THIS DRAWING CONTAINS INFORMATION THAT IS PROPRIETARY TO MOLEX INCORPORATED AND SHOULD NOT BE USED WITHOUT WRITTEN PERMISSION

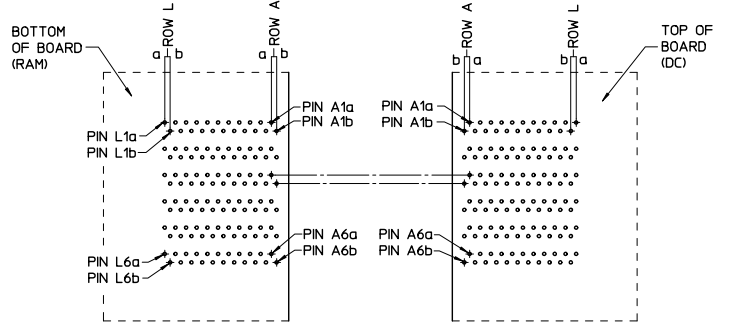
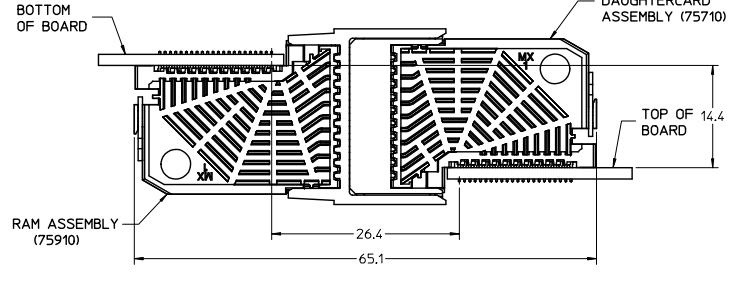
COPLANAR APPLICATION



COPLANAR MATED SIGNAL PATHS

RAM PIN A6b	DC PIN A1a
RAM PIN A6a	DC PIN A1b
RAM PIN A1b	DC PIN A6a
RAM PIN A1a	DC PIN A6b

INVERTED APPLICATION



INVERTED MATED SIGNAL PATHS

RAM PIN L1a	DC PIN A1a
RAM PIN L1b	DC PIN A1b
RAM PIN L6a	DC PIN A6a
RAM PIN L6b	DC PIN A6b

SEE SHEET 1 EC NO: UCP201B-4121 DRAWN BY: DRINKWIPPLE CHK'D BY: CHIKOMOLFE APPR'D BY: APPERSMILLER	QUALITY SYMBOLS 0 0 0	GENERAL TOLERANCES (UNLESS SPECIFIED)		DIMENSION STYLE MM ONLY		SCALE 2:1	DESIGN UNITS METRIC	THIRD ANGLE PROJECTION
		4 PLACES ± --- ± ---	DRAWN BY TELO	DATE 2006/06/19	TITLE I-TRAC 11 ROW RAM ASS'Y DIFFERENTIAL LONG NOSE GUIDE LEFT			
		3 PLACES ± --- ± ---	CHECKED BY ELO	DATE 2006/11/09				
		2 PLACES ± 0.13 ± ---	APPROVED BY BIXLER	DATE 2006/11/10				
1 PLACE ± 0.25 ± ---	ANGULAR ± 1/2°		MATERIAL NO. SEE CHART	DOCUMENT NO. SD-75910-002	SHEET NO. 3 OF 3			
0 PLACE ± --- ± ---	DRAFT WHERE APPLICABLE MUST REMAIN WITHIN DIMENSIONS		THIS DRAWING CONTAINS INFORMATION THAT IS PROPRIETARY TO MOLEX INCORPORATED AND SHOULD NOT BE USED WITHOUT WRITTEN PERMISSION					