

Excellent Integrated System Limited

Stocking Distributor

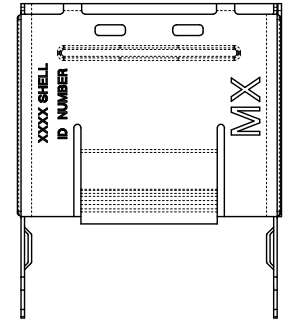
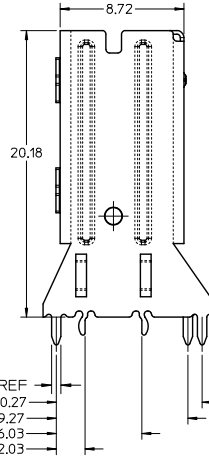
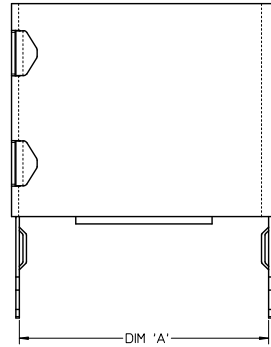
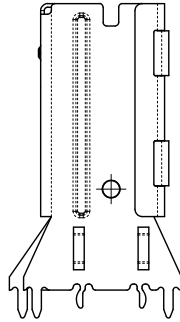
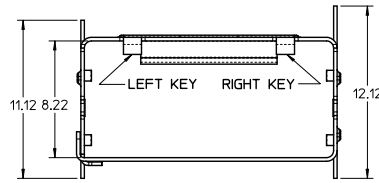
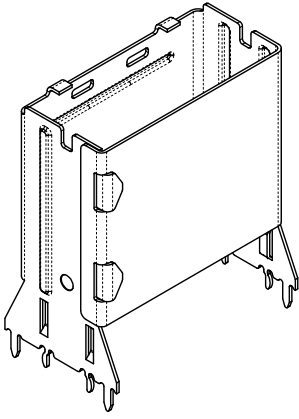
Click to view price, real time Inventory, Delivery & Lifecycle Information:

[Molex Connector Corporation](#)
[0760105237](#)

For any questions, you can email us directly:

sales@integrated-circuit.com

RETENTION FIT SHELL



ITEM NUMBER	CIRCUIT SIZE	DIM 'A'	KEY
76010-5005	26	13.55	LEFT
76010-5015	26	13.55	RIGHT
76010-5025	26	13.55	DUAL
76010-5105	36	17.55	LEFT
76010-5115	36	17.55	RIGHT
76010-5125	36	17.55	DUAL
76010-5205	50	23.15	LEFT
76010-5215	50	23.15	RIGHT
76010-5225	50	23.15	DUAL
76010-5305	68	30.35	LEFT
76010-5315	68	30.35	RIGHT
76010-5325	68	30.35	DUAL
76010-5035	26	13.55	UNIVERSAL
76010-5135	36	17.55	UNIVERSAL
76010-5235	50	23.15	UNIVERSAL
76010-5335	68	30.35	UNIVERSAL

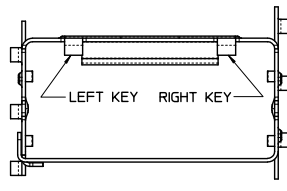
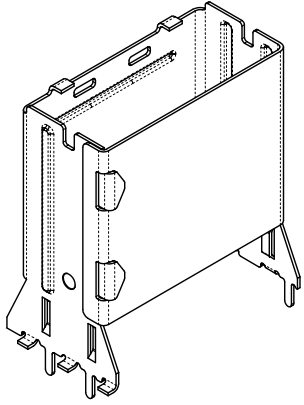
UNIVERSAL = NO KEY

NOTES:

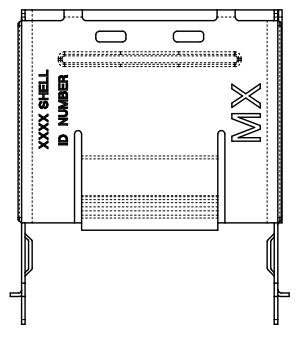
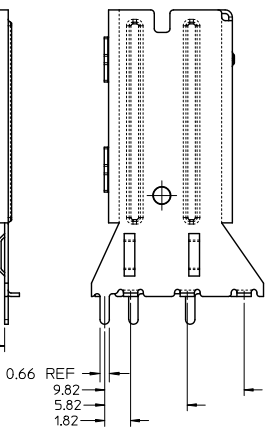
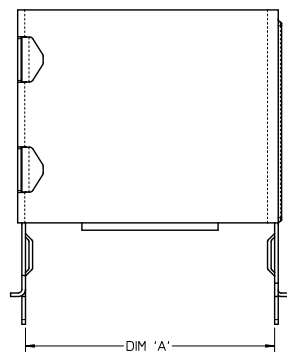
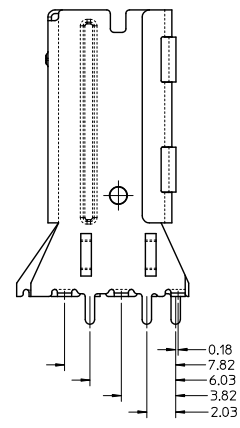
1. MATERIAL: SILVER NICKEL, THICKNESS: 0.250/0.254
2. TO BE USED WITH CONNECTOR SERIES: 75577
3. MATES WITH CABLE SERIES: 79575/74563/79576/74573/79536/74562/74569/74586
4. PACKAGED PER PACKAGING SPECIFICATION PK-76010-002
5. DATE CODE WILL APPEAR ON SHIPPING CARTON ONLY

ADD REF DIMENSION EC NO: UCP2072-1863 DRW: KLANG 2011/12/09 CHKD: APRI: MBANKA IS 2011/12/09 REV: C1	QUALITY SYMBOLS ▽=0 ▽=0	GENERAL TOLERANCES (UNLESS SPECIFIED)		DIMENSION STYLE MM ONLY		SCALE 5:1	DESIGN UNITS METRIC	THIRD ANGLE PROJECTION	
		4 PLACES ± --- ± --- 3 PLACES ± 0.13 ± --- 2 PLACES ± 0.13 ± --- 1 PLACE ± 0.25 ± ---	mm INCH	DRAWN BY KLANG	DATE 22/02/05	TITLE SALES DRAWING IPASS VERTICAL SHELL INTERNAL CABLE			
		ANGULAR ± 1/2°		CHECKED BY JSWENSON	DATE 22/02/05	MOLEX INCORPORATED			
		DRAFT WHERE APPLICABLE MUST REMAIN WITHIN DIMENSIONS		APPROVED BY MBANKA IS	DATE 22/02/05	MATERIAL NO. SEE CHART	DOCUMENT NO. SD-76010-002	SHEET NO. 1 OF 7	

13 12 11 10 9 8 7 6 5 4 3 2 1



SMT SHELL



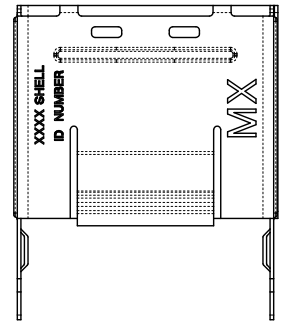
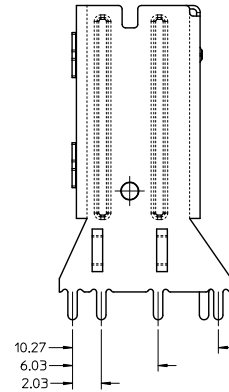
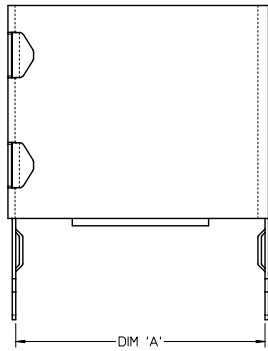
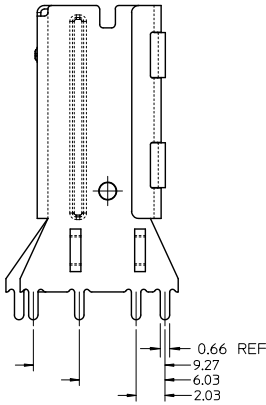
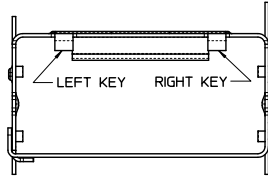
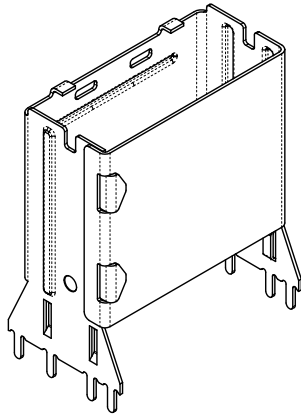
ITEM NUMBER	CIRCUIT SIZE	DIM 'A'	KEY
76010-5006	26	13.55	LEFT
76010-5016	26	13.55	RIGHT
76010-5026	26	13.55	DUAL
76010-5106	36	17.55	LEFT
76010-5116	36	17.55	RIGHT
76010-5126	36	17.55	DUAL
76010-5206	50	23.15	LEFT
76010-5216	50	23.15	RIGHT
76010-5226	50	23.15	DUAL
76010-5306	68	30.35	LEFT
76010-5316	68	30.35	RIGHT
76010-5326	68	30.35	DUAL
76010-5036	26	13.55	UNIVERSAL
76010-5136	36	17.55	UNIVERSAL
76010-5236	50	23.15	UNIVERSAL
76010-5336	68	30.35	UNIVERSAL

UNIVERSAL = NO KEY

SEE SHEET 1 EC NO: UCP2072-1663 DRAWN/KLANG CHKD: APPR:MBANK/IS 2011/12/09 2011/12/09 DESCRIPTION REV C1	QUALITY SYMBOLS ▽=0 ▽=0	GENERAL TOLERANCES (UNLESS SPECIFIED) <table border="1"> <thead> <tr> <th></th> <th>mm</th> <th>INCH</th> </tr> </thead> <tbody> <tr><td>4 PLACES</td><td>±---</td><td>±---</td></tr> <tr><td>3 PLACES</td><td>±0.13</td><td>±---</td></tr> <tr><td>2 PLACES</td><td>±0.13</td><td>±---</td></tr> <tr><td>1 PLACE</td><td>±0.25</td><td>±---</td></tr> <tr><td colspan="3">ANGULAR ±1/2°</td></tr> </tbody> </table>		mm	INCH	4 PLACES	±---	±---	3 PLACES	±0.13	±---	2 PLACES	±0.13	±---	1 PLACE	±0.25	±---	ANGULAR ±1/2°			DIMENSION STYLE MM ONLY DRAWN BY: KLANG CHECKED BY: JSWENSON APPROVED BY: MBANK/IS DATE: 22/02/05 DATE: 22/02/05 DATE: 22/02/05	SCALE: 5:1 DESIGN UNITS: METRIC THIRD ANGLE PROJECTION	TITLE: SALES DRAWING IPASS VERTICAL SHELL INTERNAL CABLE MOLEX INCORPORATED
		mm	INCH																				
	4 PLACES	±---	±---																				
	3 PLACES	±0.13	±---																				
2 PLACES	±0.13	±---																					
1 PLACE	±0.25	±---																					
ANGULAR ±1/2°																							
DRAFT WHERE APPLICABLE MUST REMAIN WITHIN DIMENSIONS		MATERIAL NO. SEE CHART SIZE C	DOCUMENT NO. SD-76010-002	SHEET NO. 2 OF 7	THIS DRAWING CONTAINS INFORMATION THAT IS PROPRIETARY TO MOLEX INCORPORATED AND SHOULD NOT BE USED WITHOUT WRITTEN PERMISSION																		

ib_frame_C.P.AM.T Rev. D 2004/06/28 12 11 10 9 8 7 6 5 4 3 2 1

THROUGH HOLE SHELL
(PART NUMBERS ON SHEET 4)



iPass™ IS A TRADEMARK OF MOLEX

SEE SHEET 1 EC NO: UCP2072-1663 DRAWN BY: DRINKLANG CHKD: APPIRMBANKIS C1	DESCRIPTION: 2011/12/09 QUALITY SYMBOLS: ▽=0 ▽=0	GENERAL TOLERANCES (UNLESS SPECIFIED)		DIMENSION STYLE MM ONLY		SCALE 5:1	DESIGN UNITS METRIC	THIRD ANGLE PROJECTION
		4 PLACES ± --- ± ---	DRAWN BY KLANG	DATE 22/02/05	TITLE SALES DRAWING IPASS VERTICAL SHELL INTERNAL CABLE			
		3 PLACES ± 0.13 ± ---	CHECKED BY JSWENSON	DATE 22/02/05	MOLEX INCORPORATED			
		2 PLACES ± 0.13 ± --- 1 PLACE ± 0.25 ± --- ANGULAR ± 1/2°	APPROVED BY MBANAKIS	DATE 22/02/05	MATERIAL NO. SEE CHART DOCUMENT NO. SD-76010-002 SHEET NO. 3 OF 7			
DRAFT WHERE APPLICABLE MUST REMAIN WITHIN DIMENSIONS		THIS DRAWING CONTAINS INFORMATION THAT IS PROPRIETARY TO MOLEX INCORPORATED AND SHOULD NOT BE USED WITHOUT WRITTEN PERMISSION						

THROUGH HOLE SHELL (PART NUMBERS)

ITEM NUMBER	CIRCUIT SIZE	DIM 'A'	DIM 'B'	KEY
76010-5007	26	13.55	1.96	LEFT
76010-5017	26	13.55	1.96	RIGHT
76010-5027	26	13.55	1.96	DUAL
76010-5107	36	17.55	1.96	LEFT
76010-5117	36	17.55	1.96	RIGHT
76010-5127	36	17.55	1.96	DUAL
76010-5207	50	23.15	1.96	LEFT
76010-5217	50	23.15	1.96	RIGHT
76010-5227	50	23.15	1.96	DUAL
76010-5307	68	30.35	1.96	LEFT
76010-5317	68	30.35	1.96	RIGHT
76010-5327	68	30.35	1.96	DUAL
76010-5037	26	13.55	1.96	UNIVERSAL
76010-5137	36	17.55	1.96	UNIVERSAL
76010-5237	50	23.15	1.96	UNIVERSAL
76010-5337	68	30.35	1.96	UNIVERSAL
76010-7101	36	17.55	2.79	LEFT
76010-7111	36	17.55	2.79	RIGHT
76010-7121	36	17.55	2.79	DUAL
76010-7131	36	17.55	2.79	UNIVERSAL
76010-7102	36	17.55	3.18	LEFT
76010-7112	36	17.55	3.18	RIGHT
76010-7122	36	17.55	3.18	DUAL
76010-7132	36	17.55	3.18	UNIVERSAL
76010-7103	36	17.55	3.56	LEFT
76010-7113	36	17.55	3.56	RIGHT
76010-7123	36	17.55	3.56	DUAL
76010-7133	36	17.55	3.56	UNIVERSAL

ITEM NUMBER	CIRCUIT SIZE	DIM 'A'	DIM 'B'	KEY
76010-7401	26	13.55	2.79	LEFT
76010-7411	26	13.55	2.79	RIGHT
76010-7421	26	13.55	2.79	DUAL
76010-7431	26	13.55	2.79	UNIVERSAL
76010-7402	26	13.55	3.18	LEFT
76010-7412	26	13.55	3.18	RIGHT
76010-7422	26	13.55	3.18	DUAL
76010-7432	26	13.55	3.18	UNIVERSAL
76010-7201	50	23.15	2.79	LEFT
76010-7211	50	23.15	2.79	RIGHT
76010-7221	50	23.15	2.79	DUAL
76010-7231	50	23.15	2.79	UNIVERSAL
76010-7202	50	23.15	3.18	LEFT
76010-7212	50	23.15	3.18	RIGHT
76010-7222	50	23.15	3.18	DUAL
76010-7232	50	23.15	3.18	UNIVERSAL
76010-7301	68	30.35	2.79	LEFT
76010-7311	68	30.35	2.79	RIGHT
76010-7321	68	30.35	2.79	DUAL
76010-7331	68	30.35	2.79	UNIVERSAL
76010-7302	68	30.35	3.18	LEFT
76010-7312	68	30.35	3.18	RIGHT
76010-7322	68	30.35	3.18	DUAL
76010-7332	68	30.35	3.18	UNIVERSAL

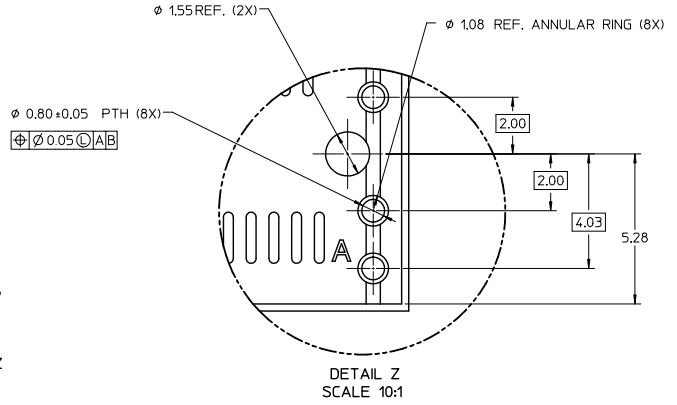
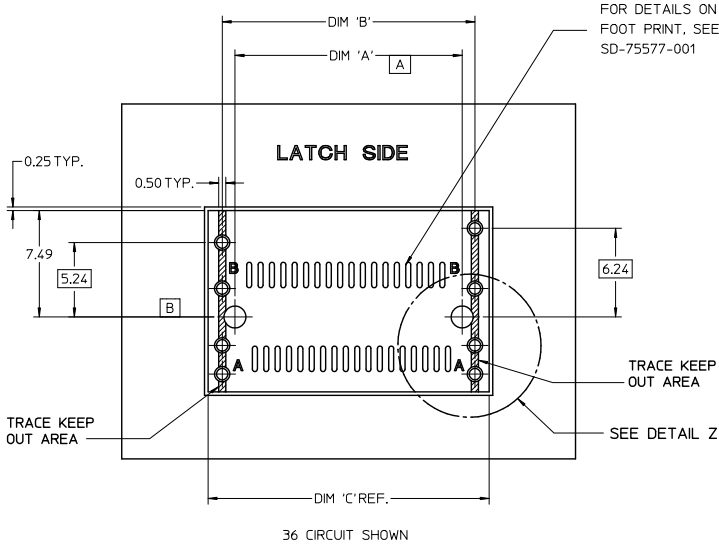
UNIVERSAL - NO KEY

iPass™ IS A TRADEMARK OF MOLEX

SEE SHEET 1 EC NO: UCP2072-1663 DRAWN BY: DRINKLANG CHKD: APPR: MBANKA S 2011/12/09 2011/12/09 DESCRIPTION REV	QUALITY SYMBOLS	GENERAL TOLERANCES (UNLESS SPECIFIED)	DIMENSION STYLE	SCALE	DESIGN UNITS	THIRD ANGLE PROJECTION
	▽=0 ▽=0	mm INCH 4 PLACES ± --- ± --- 3 PLACES ± 0.13 ± --- 2 PLACES ± 0.13 ± --- 1 PLACE ± 0.25 ± --- ANGULAR ± 1/2°	MM ONLY DRAWN BY: KLANG DATE: 22/02/05 CHECKED BY: JSWENSON DATE: 22/02/05 APPROVED BY: MBANKA S DATE: 22/02/05	5:1	METRIC	SALES DRAWING IPASS VERTICAL SHELL INTERNAL CABLE MOLEX INCORPORATED
		DRAFT WHERE APPLICABLE MUST REMAIN WITHIN DIMENSIONS	SEE CHART	MATERIAL NO.	DOCUMENT NO.	SHEET NO.
					SD-76010-002	4 OF 7

THIS DRAWING CONTAINS INFORMATION THAT IS PROPRIETARY TO MOLEX INCORPORATED AND SHOULD NOT BE USED WITHOUT WRITTEN PERMISSION

VERTICAL RETENTION FIT AND THROUGH HOLE SHELL PCB FOOT PRINT

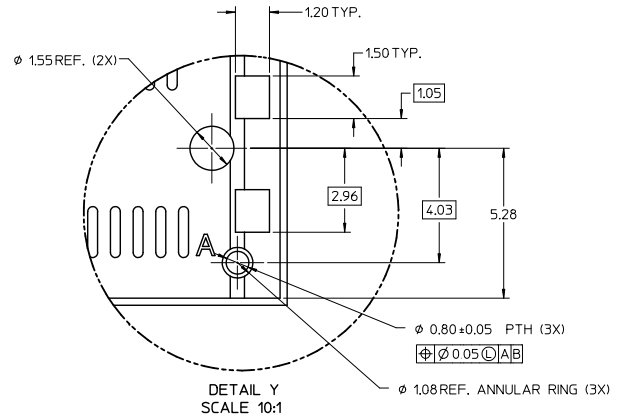
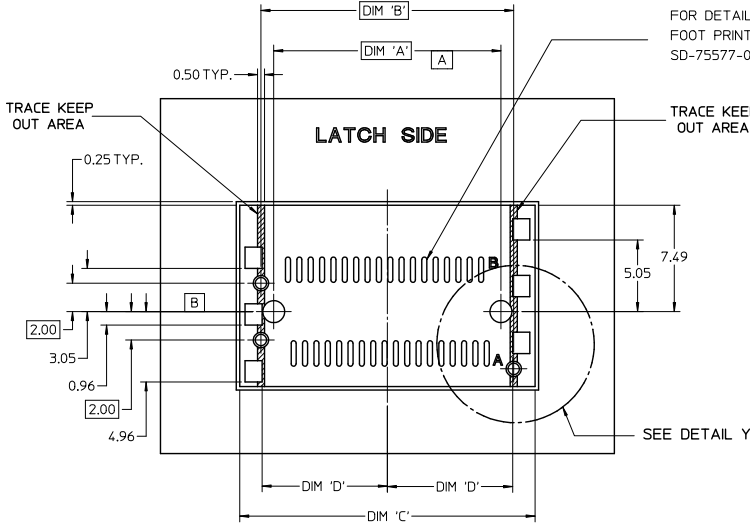


CIRCUIT SIZE	PEG TO PEG			SHELL PEG TO PEG			SHELL FOOTPRINT WIDTH		
	DIM 'A'	DIM 'B'	DIM 'C'	DIM 'A'	DIM 'B'	DIM 'C'	DIM 'A'	DIM 'B'	DIM 'C'
26	12.00	13.80	15.80						
36	16.00	17.80	19.80						
50	21.60	23.40	25.40						
68	28.80	30.60	32.60						

iPass™ IS A TRADEMARK OF MOLEX

SEE SHEET 1 EC NO: UCP2072-1663 DRINKILANG 2011/12/09 CHKD: APPL:MBANKIS 2011/12/09 C1 REV	QUALITY SYMBOLS ▽=0 ▽=0	GENERAL TOLERANCES (UNLESS SPECIFIED) <table border="1"> <tr> <th></th> <th>mm</th> <th>INCH</th> </tr> <tr> <td>4 PLACES</td> <td>± 0.15</td> <td>± 0.006</td> </tr> <tr> <td>3 PLACES</td> <td>± 0.13</td> <td>± 0.005</td> </tr> <tr> <td>2 PLACES</td> <td>± 0.13</td> <td>± 0.005</td> </tr> <tr> <td>1 PLACE</td> <td>± 0.25</td> <td>± 0.010</td> </tr> </table> ANGULAR ± 1/2°		mm	INCH	4 PLACES	± 0.15	± 0.006	3 PLACES	± 0.13	± 0.005	2 PLACES	± 0.13	± 0.005	1 PLACE	± 0.25	± 0.010	DIMENSION STYLE MM ONLY	SCALE 5:1	DESIGN UNITS METRIC	THIRD ANGLE PROJECTION
		mm	INCH																		
	4 PLACES	± 0.15	± 0.006																		
	3 PLACES	± 0.13	± 0.005																		
2 PLACES	± 0.13	± 0.005																			
1 PLACE	± 0.25	± 0.010																			
DRAWN BY: KLANG DATE: 22/02/05 CHECKED BY: JSWENSON DATE: 22/02/05 APPROVED BY: MBANKIS DATE: 22/02/05		TITLE SALES DRAWING IPASS VERTICAL SHELL INTERNAL CABLE		MOLEX INCORPORATED																	
DRAFT WHERE APPLICABLE MUST REMAIN WITHIN DIMENSIONS		SEE CHART		DOCUMENT NO. SD-76010-002		SHEET NO. 5 OF 7															
THIS DRAWING CONTAINS INFORMATION THAT IS PROPRIETARY TO MOLEX INCORPORATED AND SHOULD NOT BE USED WITHOUT WRITTEN PERMISSION																					

VERTICAL SMT SHELL PCB FOOT PRINT



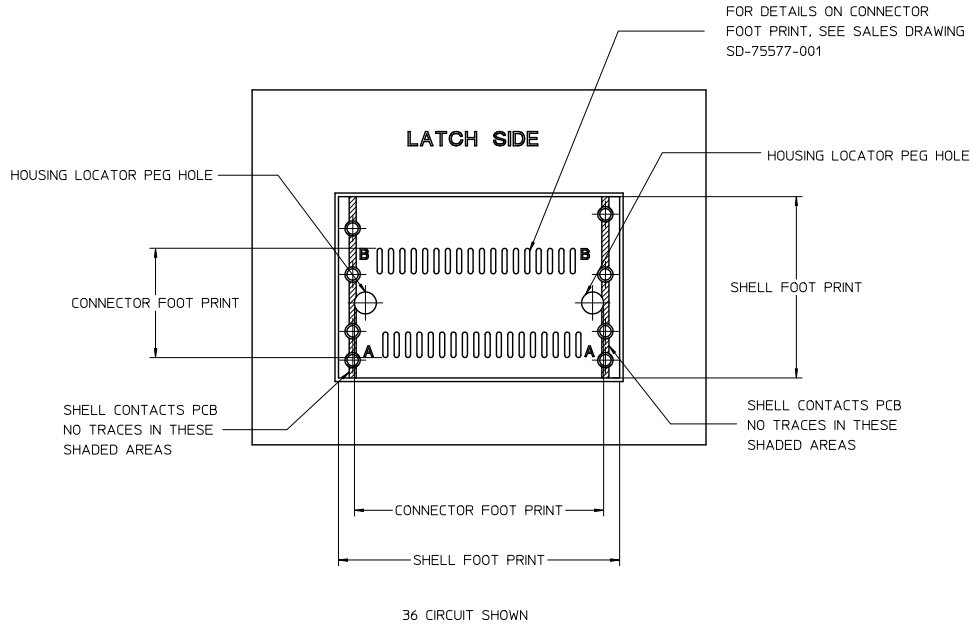
36 CIRCUIT SHOWN

CIRCUIT SIZE	DIMENSIONS			
	DIM 'A'	DIM 'B'	DIM 'C'	DIM 'D'
26	12.00	13.80	16.80	6.825
36	16.00	17.80	20.80	8.825
50	21.60	23.40	26.40	11.625
68	28.80	30.60	33.60	15.225

iPass™ IS A TRADEMARK OF MOLEX

SEE SHEET 1 EC NO: UCP2072-1663 DRAWN BY: DRWINKLANG CHKD: APPLR:MBANKA1S C1	DESCRIPTION: 2011/12/09 2011/12/09	QUALITY SYMBOLS ▽=0 ▽=0	GENERAL TOLERANCES (UNLESS SPECIFIED) mm INCH 4 PLACES ± --- ± --- 3 PLACES ± 0.13 ± --- 2 PLACES ± 0.13 ± --- 1 PLACE ± 0.25 ± --- ANGULAR ± 1/2°	DIMENSION STYLE MM ONLY DRAWN BY: KLANG DATE: 22/02/05 CHECKED BY: JSWENSON DATE: 22/02/05 APPROVED BY: MBANKA1S DATE: 22/02/05	SCALE: 5:1 DESIGN UNITS: METRIC THIRD ANGLE PROJECTION	TITLE: SALES DRAWING IPASS VERTICAL SHELL INTERNAL CABLE MOLEX INCORPORATED
		DRAFT WHERE APPLICABLE MUST REMAIN WITHIN DIMENSIONS	SEE CHART	MATERIAL NO. SD-76010-002 DOCUMENT NO. SD-76010-002	SHEET NO. 6 OF 7	
		THIS DRAWING CONTAINS INFORMATION THAT IS PROPRIETARY TO MOLEX INCORPORATED AND SHOULD NOT BE USED WITHOUT WRITTEN PERMISSION				
		SIZE C				

VERTICAL SHELL PCB FOOT PRINT DESCRIPTIONS



iPass™ IS A TRADEMARK OF MOLEX

SEE SHEET 1 EC NO: UCP2072-1663 DRAWN BY: DRINKLANG CHKD: APPIRMBANKIS C1	2011/12/09 DESCRIPTION APPIRMBANKIS	QUALITY SYMBOLS ▽=0 ▽=0	GENERAL TOLERANCES (UNLESS SPECIFIED)		DIMENSION STYLE MM ONLY		SCALE 5:1	DESIGN UNITS METRIC	THIRD ANGLE PROJECTION	
			mm	INCH	DRAWN BY KLANG	DATE 22/02/05	TITLE SALES DRAWING IPASS VERTICAL SHELL INTERNAL CABLE MOLEX INCORPORATED			
			4 PLACES ± ---	± ---	CHECKED BY JSWENSON	DATE 22/02/05				
			3 PLACES ± 0.13	± ---	APPROVED BY MBANAKIS	DATE 22/02/05				
ANGULAR ± 1/2°		DRAFT WHERE APPLICABLE MUST REMAIN WITHIN DIMENSIONS		MATERIAL NO. SEE CHART	DOCUMENT NO. SD-76010-002		SHEET NO. 7 OF 7			
THIS DRAWING CONTAINS INFORMATION THAT IS PROPRIETARY TO MOLEX INCORPORATED AND SHOULD NOT BE USED WITHOUT WRITTEN PERMISSION										