

Excellent Integrated System Limited

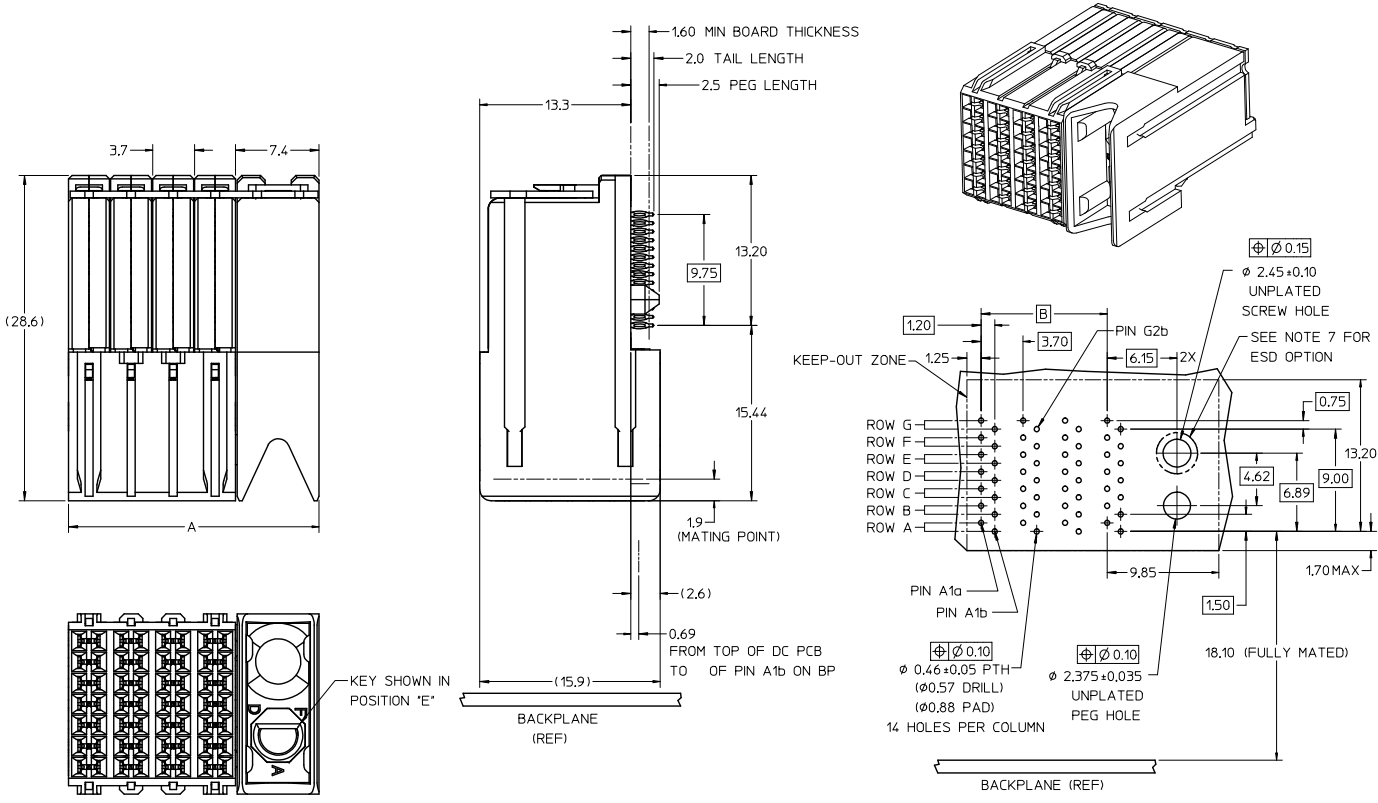
Stocking Distributor

Click to view price, real time Inventory, Delivery & Lifecycle Information:

[Molex Connector Corporation](#)
[0760204010](#)

For any questions, you can email us directly:

sales@integrated-circuit.com



DAUGHTERCARD HOLE PATTERN
(CONNECTOR SIDE)

- NOTES:
1. MATERIALS: HOUSING - LIQUID CRYSTAL POLYMER (LCP)/GLASS-FILLED, UL 94V-0
TERMINALS - HIGH PERFORMANCE COPPER ALLOY
 2. FINISH: SELECTIVE GOLD (Au) IN CONTACT AREA,
SELECTIVE MATTE TIN (Sn) IN TAIL AREA,
NICKEL (Ni) UNDERPLATE OVERALL.
 3. REFER TO MOLEX PRODUCT SPECIFICATION PS-75710-999 FOR PERFORMANCE SPECS.
 4. PRODUCT IS PACKAGED PER PK-70873-607.
 5. THIS PART CONFORMS TO CLASS B REQUIREMENTS OF COSMETIC SPEC PS-45499-002.
 6. GUIDED PARTS TO BE SHIPPED WITH 2-32 TYPE AB
SELF-TAPPING SCREW P/N 73726-0005.
 7. FOR GROUNDED GUIDE MODULES USE DIA 2.45+/-0.10 (PTH), DIA 2.58 (DRILL),
AND DIA 4.50 (PAD).
 8. MAPS (MOLEX ADVANCED PLATING SYSTEM).

LEAD FREE CON/MAPS EIC NO: UCP2015-4120 DRAWN BY: 2012/11/12 CHKD BY: 2013/03/19 APPR: MILLER 2013/06/05	QUALITY SYMBOLS ∇=0 ∇=0 ∇=0	GENERAL TOLERANCES (UNLESS SPECIFIED)		DIMENSION STYLE		SCALE	DESIGN UNITS	THIRD ANGLE PROJECTION		
				MM ONLY		4:1	METRIC			
		4 PLACES ±	3 PLACES ±	2 PLACES ±	1 PLACE ±	0 PLACE ±	DRAWN BY: MCARRANZA		DATE: 3/20/06	
		ANGULAR ±1/2°		DRAFT WHERE APPLICABLE MUST REMAIN WITHIN DIMENSIONS		MATERIAL NO. SEE CHART		DOCUMENT NO. SD-76020-004		SHEET NO. 1 OF 2

I-TRAC DAUGHTERCARD
7 ROW GUIDE RIGHT
SIGNAL MODULE



MATERIAL NUMBER	# OF COLUMNS	DIM. 'A' MAX.	DIM. 'B'
76020-****4	4	22.20	11.10
76020-****6	6	29.60	18.50
76020-****0	10	44.40	33.30

76020-****

MODULE STYLE AND TAIL PLATING TYPE

- 4 = GUIDE RIGHT, MATTE TIN (FORMERLY TIN/LEAD)
- 5 = GUIDE RIGHT, MATTE TIN

POLARIZATION KEY ORIENTATION

- 0 = NO KEY
- 1 = A
- 2 = B
- 3 = C
- 4 = D
- 5 = E
- 6 = F
- 7 = G
- 8 = H

OF COLUMNS/PLATING

- 04 = 4 COL 30 GOLD
- 06 = 6 COL 30 GOLD
- 10 = 10 COL 30 GOLD
- 44 = 4 COL 10 GOLD (MAPS)
- 46 = 6 COL 10 GOLD (MAPS)
- 40 = 10 COL 10 GOLD (MAPS)
- 54 = 4 COL W/ESD CLIP 30 GOLD
- 56 = 6 COL W/ESD CLIP 30 GOLD
- 50 = 10 COL W/ESD CLIP 30 GOLD
- 74 = 4 COL W/ESD CLIP 10 GOLD (MAPS)
- 76 = 6 COL W/ESD CLIP 10 GOLD (MAPS)
- 70 = 10 COL W/ESD CLIP 10 GOLD (MAPS)

SEE SHEET 1 EC NO: UCP2015-4120 DRW: BARKER 2012/11/12 CHK: KIMULFE 2013/03/19 APPR: SMILLER 2013/08/05	QUALITY SYMBOLS ∇=0 ∇=1 ∇=2	GENERAL TOLERANCES (UNLESS SPECIFIED)		DIMENSION STYLE MM ONLY		SCALE 1:1	DESIGN UNITS METRIC	THIRD ANGLE PROJECTION			
		4 PLACES ± --- ± ---	3 PLACES ± --- ± ---	2 PLACES ± 0.13 ± ---	1 PLACE ± 0.25 ± ---	0 PLACE ± ±	ANGULAR ± 1/2°	DRAWN BY MCARRANZA	DATE 3/20/06	TITLE I-TRAC DAUGHTERCARD 7 ROW GUIDE RIGHT SIGNAL MODULE molex DOCUMENT NO. SD-76020-004 SHEET NO. 2 OF 2	
		DRAFT WHERE APPLICABLE MUST REMAIN WITHIN DIMENSIONS		SEE CHART		MATERIAL NO.		APPROVED BY JLAURX			DATE 3/21/06