

Excellent Integrated System Limited

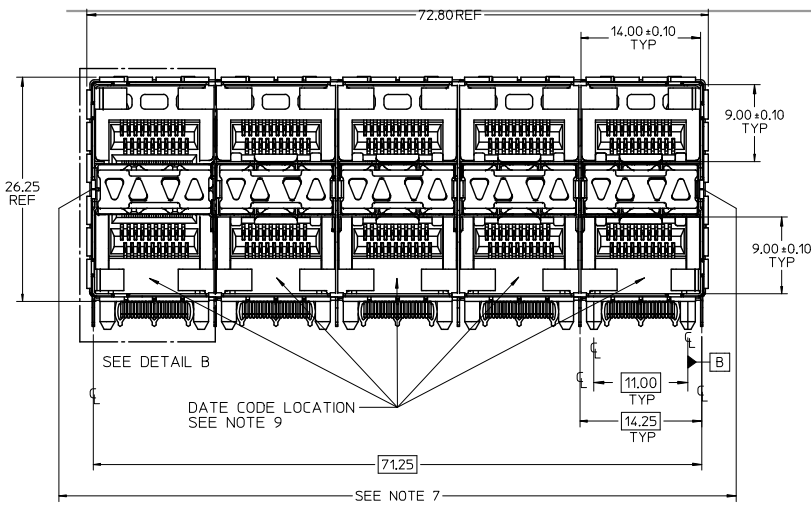
Stocking Distributor

Click to view price, real time Inventory, Delivery & Lifecycle Information:

[Molex Connector Corporation](#)
[0760475003](#)

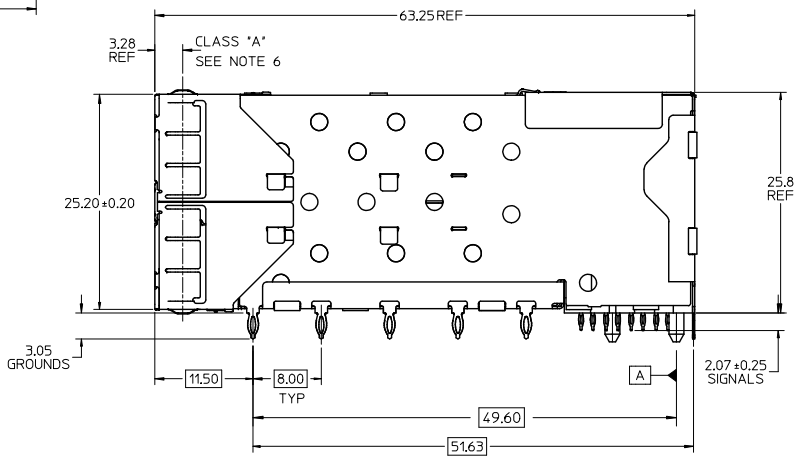
For any questions, you can email us directly:

sales@integrated-circuit.com

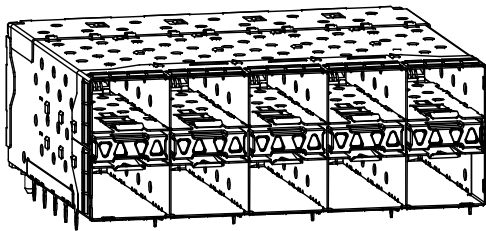


PART NUMBER	DESCRIPTION	VIEW	COMPLIANT TAIL PLATING
760470001	4 LIGHT PORTS	SEE PG 2	MATTE TIN / LEAD
760470002	INNER 2 PORTS	SEE PG 2	MATTE TIN / LEAD
760470003	OUTER 2 PORTS	SEE PG 2	MATTE TIN / LEAD
760475001	4 LIGHT PORTS	SEE PG 2	MATTE TIN
760475002	INNER 2 PORTS	SEE PG 2	MATTE TIN
760475003	OUTER 2 PORTS	SEE PG 2	MATTE TIN

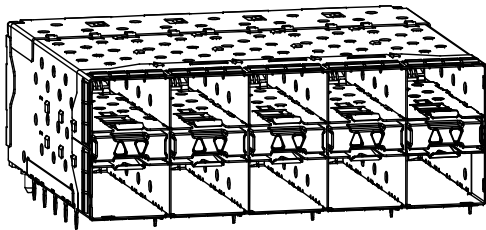
- NOTES
- MATERIAL:
 - CAGE: NICKEL SILVER, THICKNESS: 0.25mm
 - CONNECTOR HOUSING: GLASS FILLED LIQUID CRYSTAL POLYMER (LCP), UL 94V-0, COLOR: BLACK
 - OVERMOLD TERMINAL HOUSING: GLASS FILLED LIQUID CRYSTAL POLYMER (LCP), UL 94V-0, COLOR: BLACK
 - TERMINALS: TIN BRASS
 - EMI GASKET: CONDUCTIVE ELASTOMER
 - LIGHTPIPE HOUSING: ZINC
 - LIGHTPIPES: POLYCARBONATE, COLOR: CLEAR
 - FINISHES:
 - TERMINALS: CONTACT AREA: 0.76 MICROMETERS MINIMUM HARD GOLD OVER 1.27 MICROMETERS MINIMUM NICKEL.
 - COMPLIANT TAIL - MATTE TIN/LEAD OPTION: 0.76 TO 1.52 MICROMETERS 90/10 MATTE TIN-LEAD OVER 0.76 MICROMETERS MINIMUM NICKEL.
 - COMPLIANT TAIL - MATTE TIN OPTION: 0.76 TO 1.52 MICROMETERS MATTE TIN OVER 0.76 MICROMETERS MINIMUM NICKEL.
 - LIGHTPIPE HOUSING: 80 MICROMETERS MINIMUM NICKEL OVER COPPER
 - REFER TO PS-75310-001 PRODUCT SPEC FOR ALL ELECTRICAL, MECHANICAL AND ENVIRONMENTAL SPECIFICATIONS.
 - LIGHT PIPE PAD LAYOUT IS FOR 0805 LOW-PROFILE LED PACKAGE, FOR OTHER RECOMMENDED LAYOUTS REFER TO MOLEX'S REPORT TS-75310-001
 - REFER TO PK-75733-001 FOR ALL PACKAGING SPECIFICATIONS.
 - ALL EXTERIOR SURFACES TO BE CLASS "B" SURFACES EXCEPT THE UNDER SIDE OF THE CAGE WHERE THE PCB WOULD BE LOCATED AND AS NOTED. THE SURFACES TO CONFORM TO THE MOLEX COSMETIC DOC PS-45499-002.
 - THE OVERALL CAGE WIDTH AT THE VERTICAL CENTER OF THE FRONT EDGE WILL FALL WITHIN THIS DIMENSION: 72.05+/-0.30 MM. THIS PORTION OF THE CAGE WILL FLEX INWARD AS THE CAGE IS BEING INSERTED INTO THE BEZEL OPENING.
 - REFER TO AS-76090-001 FOR HIGH SPEED ROUTING RECOMMENDATIONS.
 - DATE CODE LOCATION IS SHOWN ABOVE.
 - DATE CODE FORMAT: DDDY MX A1
 - DDD = DAY OF THE YEAR
 - Y = YEAR
 - MX = MOLEX
 - A = ALPHA CHARACTER - INDICATES MANUFACTURING LINE
 - 1 = NUMERIC CHARACTER - INDICATES PRODUCTION SHIFT



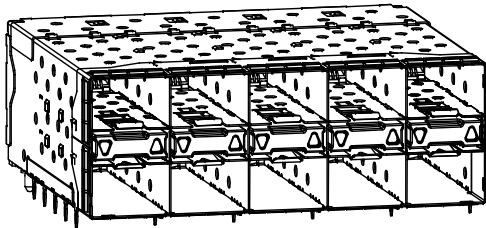
REV	DESCRIPTION	QUALITY SYMBOLS	GENERAL TOLERANCES (UNLESS SPECIFIED)		DIMENSION STYLE		SCALE	DESIGN UNITS	THIRD ANGLE PROJECTION
			mm	INCH	IN/MM	DATE	INCH		
4	PLACES ±	---	---	---	DRAWN BY	DATE	3:1	INCH	STACKED SFP+ 2X5 ASSY WITH METAL EMI GASKET AND LIGHTPIPES molex
3	PLACES ±	---	---	MSANDBERG	10/16/2006				
2	PLACES ±	0.13	---	CHECKED BY	DATE				
1	PLACE ±	0.25	---	JLONG	10/16/2006				
0	PLACE ±	---	---	APPROVED BY	DATE	MATERIAL NO.		DOCUMENT NO.	SHEET NO.
			ANGULAR ±1/2°		SEE TABLE		SD-76047-001		1 OF 4
DRAFT WHERE APPLICABLE MUST REMAIN WITHIN DIMENSIONS									
THIS DRAWING CONTAINS INFORMATION THAT IS PROPRIETARY TO MOLEX INCORPORATED AND SHOULD NOT BE USED WITHOUT WRITTEN PERMISSION									



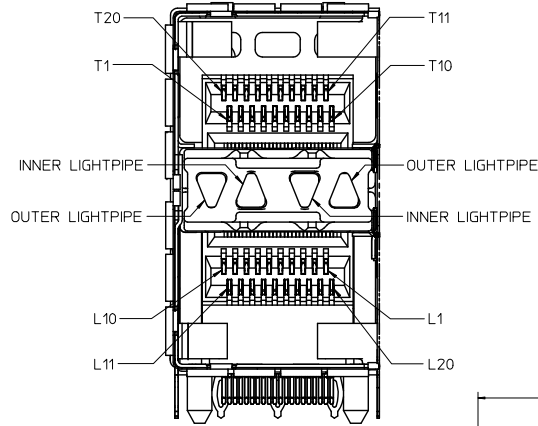
760470001 AND 760475001
WITH INNER AND OUTER LIGHTPIPES



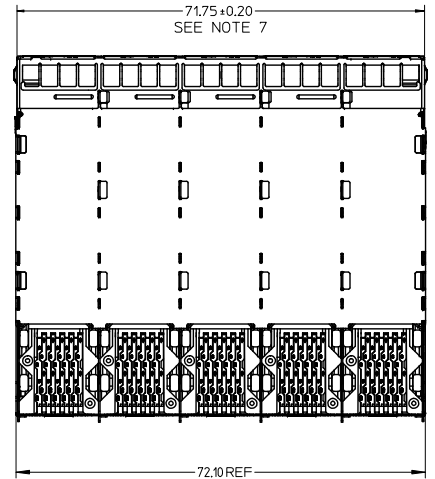
760470002 AND 760475002
WITH INNER LIGHTPIPES



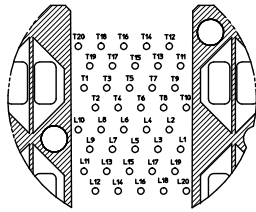
760470003 AND 760475003
WITH OUTER LIGHTPIPES



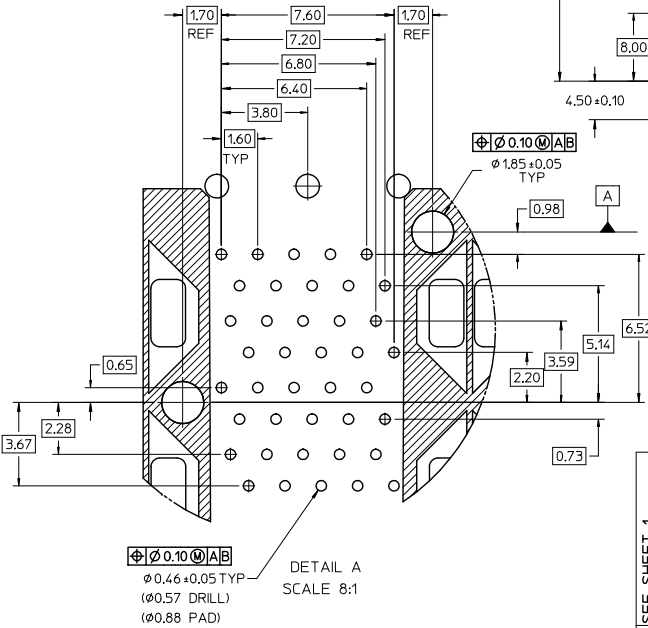
CIRCUIT NUMBERING
AND LIGHTPIPE
IDENTIFICATION
DETAIL B
SCALE 5:1



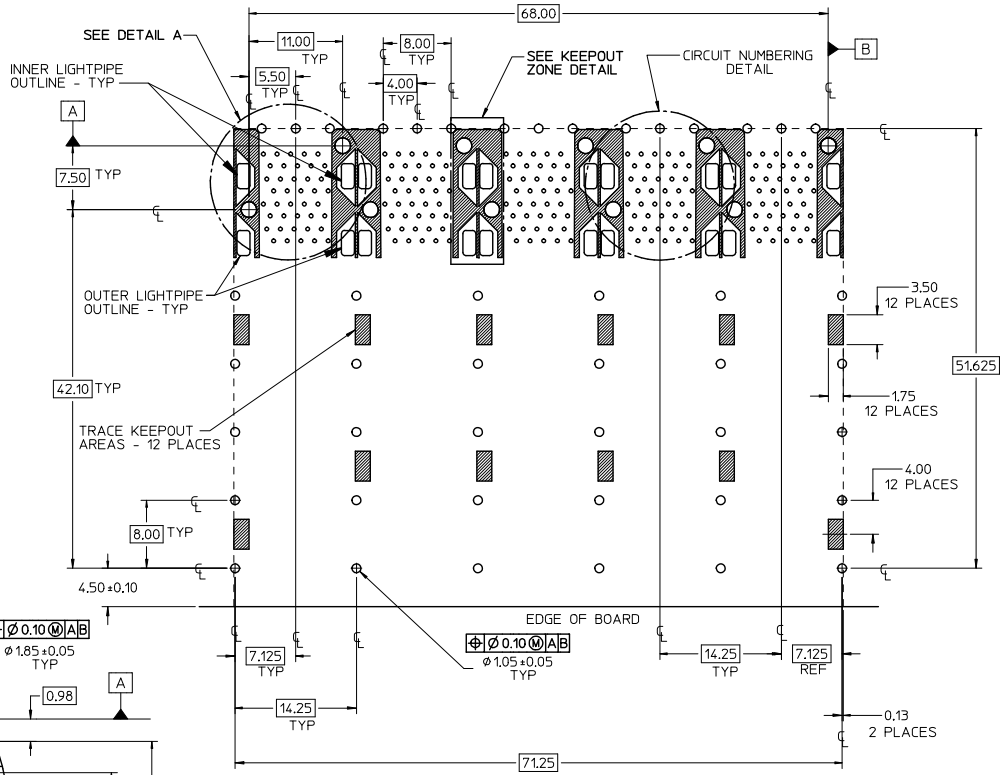
SEE SHEET 1 EC NO: UCF2014-4422 DRAWN BY: DRW:MSANDBERG 2014/04/24 CHECKED BY: CHK:JLONG 2014/04/24 APPROVED BY: APPR:RNELSON 2014/05/08	QUALITY SYMBOLS ∇=0 ∇=0.13 ∇=0.25	GENERAL TOLERANCES (UNLESS SPECIFIED)		DIMENSION STYLE IN/MM		SCALE 2:1	DESIGN UNITS INCH	THIRD ANGLE PROJECTION
		4 PLACES ± --- ± --- 3 PLACES ± --- ± --- 2 PLACES ± 0.13 ± --- 1 PLACE ± 0.25 ± --- 0 PLACE ± ±	mm INCH	DRAWN BY MSANDBERG	DATE 10/16/2006	TITLE STACKED SFP+ 2X5 ASS'Y WITH METAL EMI GASKET AND LIGHTPIPES		
DRAFT WHERE APPLICABLE MUST REMAIN WITHIN DIMENSIONS		ANGULAR ± 1/2°		CHECKED BY JLONG	DATE 10/16/2006	MATERIAL NO. SEE SHEET 1		DOCUMENT NO. SD-76047-001
THIS DRAWING CONTAINS INFORMATION THAT IS PROPRIETARY TO MOLEX INCORPORATED AND SHOULD NOT BE USED WITHOUT WRITTEN PERMISSION		SIZE C		SHEET NO. 2 OF 4		molex		



CIRCUIT NUMBERING
SCALE 5:1

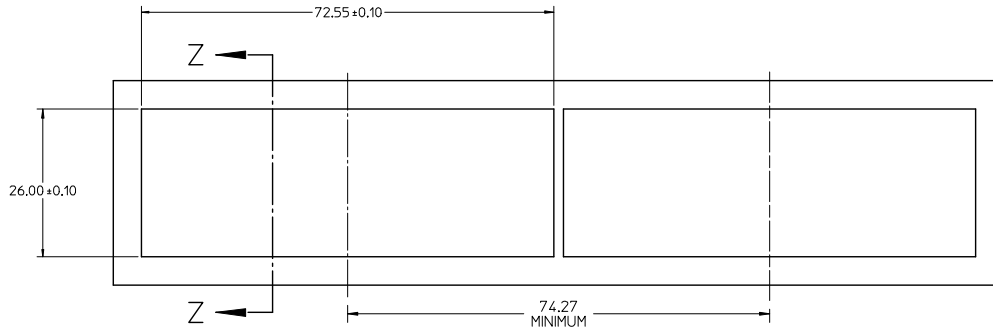


DETAIL A
SCALE 8:1

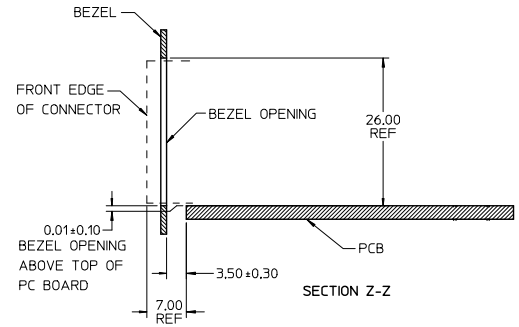
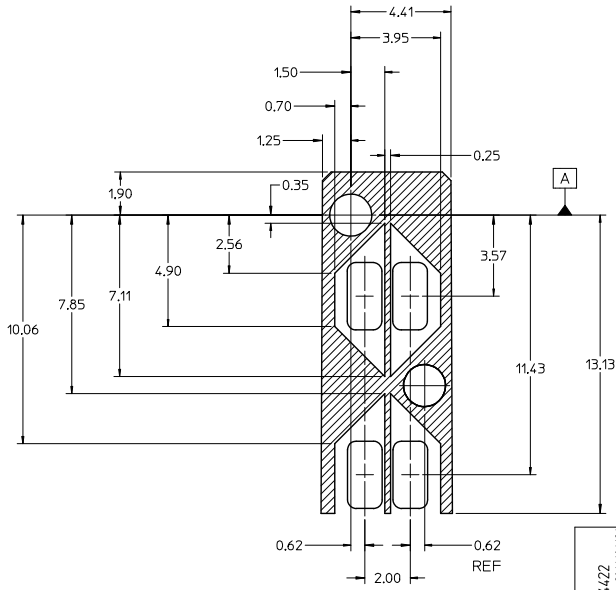


RECOMMENDED PCB LAYOUT - COMPONENT SIDE
RECOMMENDED PCB THICKNESS - 2.36 MM (0.93 INCH)
THE ENTIRE AREA OF THE CONNECTOR FOOTPRINT
TO BE CONSIDERED THE KEEP-OUT AREA FOR COMPONENT'S
(OTHER THAN LIGHTPIPE LED'S)
THIS AREA IS INDICATED BY THE DASHED LINE

SEE SHEET 1 EC NO: UCP2014-4422 DRAWN BY: 2014/04/24 CHK: BARKER 2014/04/24 APPR: MILLER 2014/05/08	QUALITY SYMBOLS ∇=0 ∇=0.13 ∇=0.25 ∇=0.46	GENERAL TOLERANCES (UNLESS SPECIFIED) mm INCH		DIMENSION STYLE IN/MM		SCALE 3:1	DESIGN UNITS INCH	THIRD ANGLE PROJECTION
		4 PLACES ± --- ± --- 3 PLACES ± --- ± --- 2 PLACES ± 0.13 ± --- 1 PLACE ± 0.25 ± --- 0 PLACE ± ±	DRAWN BY: MSANDBERG CHECKED BY: JLONG APPROVED BY: RNELSON DATE: 10/16/2006 DATE: 10/16/2006 DATE: 10/16/2006	TITLE STACKED SFP+ 2X5 ASS'Y WITH METAL EMI GASKET AND LIGHTPIPES		MATERIAL NO. SEE SHEET 1		DOCUMENT NO. SD-76047-001
DRAFT WHERE APPLICABLE MUST REMAIN WITHIN DIMENSIONS		THIS DRAWING CONTAINS INFORMATION THAT IS PROPRIETARY TO MOLEX INCORPORATED AND SHOULD NOT BE USED WITHOUT WRITTEN PERMISSION						



BEZEL CUTOUT CENTER SPACING DETAIL
BEZEL THICKNESS 0.8-2.6



KEEP OUT ZONE DETAIL - LIGHTPIPE LOCATION AND OTHER ZONES
SCALE 8:1

THE HATCHED AREA IN THIS VIEW INDICATES ZONES THAT ARE OCCUPIED BY THE PLASTIC HOUSING THAT SEATS AGAINST THE PCB AND BY THE VERTICAL METAL CAGE WALL THAT STOPS JUST SHORT OF THE PCB

SEE SHEET 1 EC NO: UCP2014-4422 DRAWN BY: DRW/MSANDBERG 2014/04/24 CHECKED BY: CHK/DBANKER 2014/04/24 APPROVAL: APPR/S MILLER 2014/05/08 DESCRIPTION:	QUALITY SYMBOLS	GENERAL TOLERANCES (UNLESS SPECIFIED)	DIMENSION STYLE	SCALE	DESIGN UNITS	THIRD ANGLE PROJECTION
	∇=0 ∇=0 ∇=0	mm INCH 4 PLACES ± --- ± --- 3 PLACES ± --- ± --- 2 PLACES ± 0.13 ± --- 1 PLACE ± 0.25 ± --- 0 PLACE ± ±	IN/MM DRAWN BY: MSANDBERG DATE: 10/16/2006 CHECKED BY: JLONG DATE: 10/16/2006 APPROVED BY: RNELSON DATE: 10/16/2006	IN/MM MATERIAL NO.	2:1	INCH
H REV	ANGULAR ± 1/2° DRAFT WHERE APPLICABLE MUST REMAIN WITHIN DIMENSIONS	SEE SHEET 1	SIZE C	THIS DRAWING CONTAINS INFORMATION THAT IS PROPRIETARY TO MOLEX INCORPORATED AND SHOULD NOT BE USED WITHOUT WRITTEN PERMISSION		