

Excellent Integrated System Limited

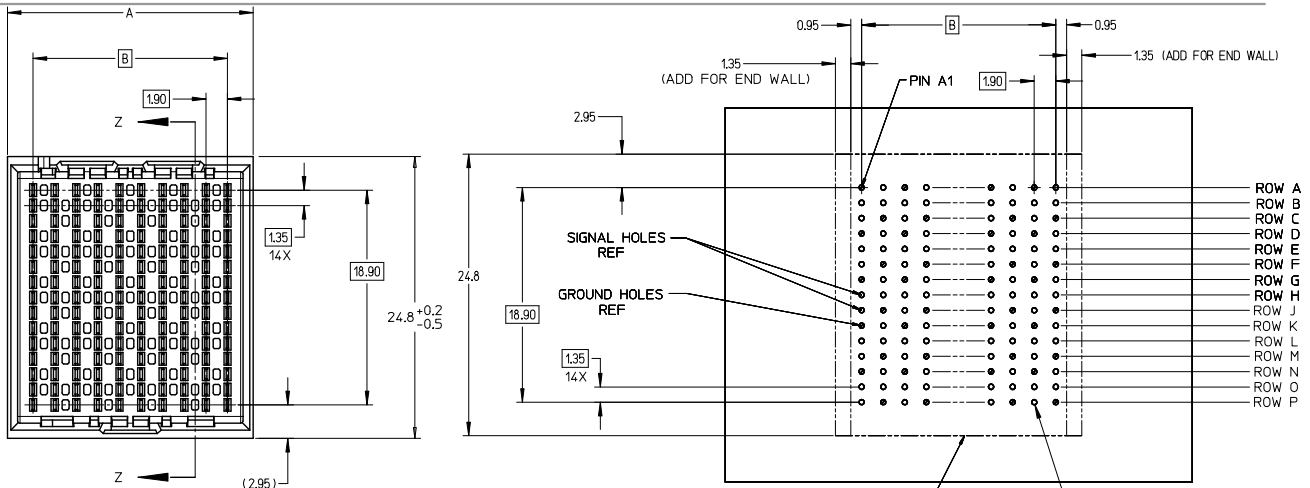
Stocking Distributor

Click to view price, real time Inventory, Delivery & Lifecycle Information:

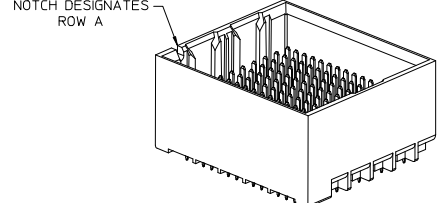
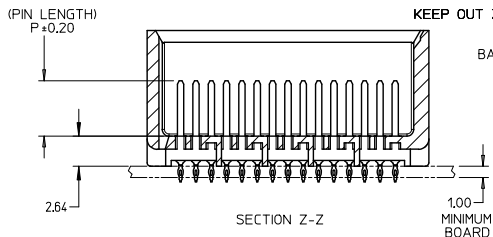
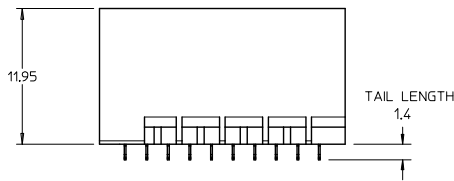
[Molex Connector Corporation](#)
[0760551615](#)

For any questions, you can email us directly:

sales@integrated-circuit.com



ROW A
ROW B
ROW C
ROW D
ROW E
ROW F
ROW G
ROW H
ROW J
ROW K
ROW L
ROW M
ROW N
ROW O
ROW P



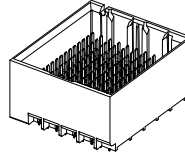
Pd-Ni
PLATING

- NOTES:
1. MATERIALS: HOUSING - LIQUID CRYSTAL POLYMER (LCP)
GLASS-FILLED, UL94V-0
TERMINALS - HIGH PERFORMANCE COPPER ALLOY
 2. FINISH: 5 MICROINCH MINIMUM GOLD FLASH OVER 20 MICROINCH MINIMUM
Pd-Ni IN CONTACT AREA, SELECTIVE TIN ON PCB TAILS. NICKEL OVERALL.
 3. REFER TO MOLEX PRODUCT SPECIFICATION PS-76060-999
FOR PERFORMANCE SPECIFICATIONS AND ADDITIONAL PCB INFORMATION.
 4. THIS PART CONFORMS TO CLASS B REQUIREMENTS OF
MOLEX COSMETIC SPEC PS-45499-002.
 5. PARTS PACKAGED PER PK-70873-7702.
 6. SEE SHEETS 2 & 3 FOR PART NUMBERS AND BOARD RELATIONSHIPS.
 7. MATES WITH IMPACT DC SERIES NO. 76060.
 8. REFER TO MOLEX PCB ROUTING GUIDE AS-76060-990 FOR ANTI PAD AND
ROUTING RECOMMENDATIONS.
 9. *THESE DIMENSIONS REPRESENT THE AREA NEEDED TO ACCOMMODATE CONNECTOR
INSERTION AND REPAIR ON THE PC BOARD. THIS IS REFERRED TO AS THE
'CONNECTOR KEEP OUT ZONE' AND DOES NOT REPRESENT THE ACTUAL PERIMETER
OF THE CONNECTOR. WHEN LAYING OUT A PC BOARD FOR CONNECTORS STACKED
TOGETHER, USE THE 1.9mm PROGRESSION.*

INITIAL RELEASE EC NO: UCP2016-2332 DRW: SVANG01 2015/12/09 CHK: MWOLFE 2015/12/09 APPR: SMILLER 2015/12/17 A	QUALITY SYMBOLS ∇=0 ∇=0 ∇=0	GENERAL TOLERANCES (UNLESS SPECIFIED)		DIMENSION STYLE MM ONLY		SCALE 4:1	DESIGN UNITS METRIC	THIRD ANGLE PROJECTION	
		4 PLACES ± ---	± ---	DRAWN BY SVANG01	DATE 2015/12/09	TITLE IMPACT 5 PAIR HEADER UNGUIDED PDNI ASSEMBLY SALES DRAWING			
		3 PLACES ± ---	± ---	CHECKED BY MWOLFE	DATE 2015/12/09				
		2 PLACES ± 0.13	± ---	APPROVED BY SMILLER	DATE 2015/12/17				
1 PLACE ± 0.25	± ---	ANGULAR ± 1/2°		MATERIAL NO.	DOCUMENT NO.	SHEET NO.			
0 PLACE ±	±	DRAFT WHERE APPLICABLE MUST REMAIN WITHIN DIMENSIONS		SEE TABLE	RSD-173430-001	1 OF 3			
				THIS DRAWING CONTAINS INFORMATION THAT IS PROPRIETARY TO MOLEX INCORPORATED AND SHOULD NOT BE USED WITHOUT WRITTEN PERMISSION					

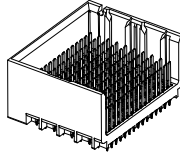
PART NUMBER TABLE

MATERIAL NUMBER	# OF COLUMNS	# OF DIFF PAIR	DIM 'A'	DIM 'B'	DUAL END WALL OPTION
173430-*12*	10	50	21.7	17.10	
173430-*22*	12	60	25.5	20.90	
173430-*72*	14	70	29.3	24.70	
173430-*62*	16	80	33.1	28.50	



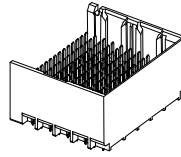
DUAL END
WALL OPTION

MATERIAL NUMBER	# OF COLUMNS	# OF DIFF PAIR	DIM 'A'	DIM 'B'	LEFT END WALL OPTION
173430-*11*	10	50	20.3	17.10	
173430-*21*	12	60	24.1	20.90	
173430-*71*	14	70	27.9	24.70	
173430-*61*	16	80	31.7	28.50	



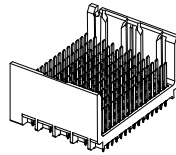
LEFT END
WALL OPTION

MATERIAL NUMBER	# OF COLUMNS	# OF DIFF PAIR	DIM 'A'	DIM 'B'	RIGHT END WALL OPTION
173430-*13*	10	50	20.3	17.10	
173430-*23*	12	60	24.1	20.90	
173430-*73*	14	70	27.9	24.70	
173430-*63*	16	80	31.7	28.50	



RIGHT END
WALL OPTION

MATERIAL NUMBER	# OF COLUMNS	# OF DIFF PAIR	DIM 'A'	DIM 'B'	OPEN WALL OPTION
173430-*10*	10	50	18.9	17.10	
173430-*20*	12	60	22.7	20.90	
173430-*70*	14	70	26.5	24.70	
173430-*60*	16	80	30.3	28.50	



OPEN
WALL OPTION

SEE SHEET 1 EC NO: UCFP2016-2332 DRAWN BY: SVANG01 CHKD BY: MWOLFE APPR: SMILLER	QUALITY SYMBOLS ∇=0 ∇=0 ∇=0	GENERAL TOLERANCES (UNLESS SPECIFIED)		DIMENSION STYLE MM ONLY		SCALE 2:1	DESIGN UNITS METRIC	THIRD ANGLE PROJECTION	
		4 PLACES ± --- ± ---	3 PLACES ± --- ± ---	DRAWN BY SVANG01	DATE 2015/12/09	TITLE IMPACT 5 PAIR HEADER UNGUIDED PDNI ASSEMBLY SALES DRAWING			
		2 PLACES ± 0.13 ± ---	1 PLACE ± 0.25 ± ---	CHECKED BY MWOLFE	DATE 2015/12/09	MATERIAL NO. RSD-173430-001			
		0 PLACE ± ±	ANGULAR ±1/2°	APPROVED BY SMILLER	DATE 2015/12/17	DOCUMENT NO. RSD-173430-001			
DRAFT WHERE APPLICABLE MUST REMAIN WITHIN DIMENSIONS		SEE TABLE		THIS DRAWING CONTAINS INFORMATION THAT IS PROPRIETARY TO MOLEX INCORPORATED AND SHOULD NOT BE USED WITHOUT WRITTEN PERMISSION					

PART NUMBER LOGIC

173430-****

MODULE TYPE
1 = UNGUIDED, TIN

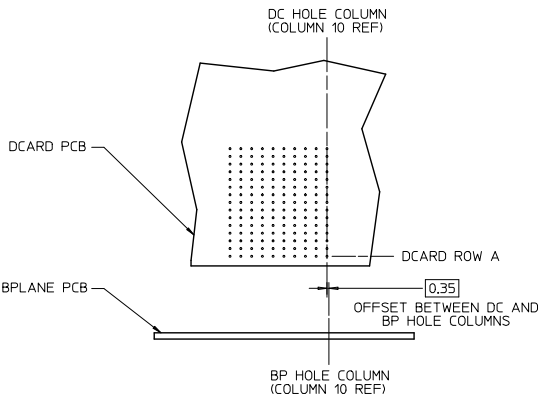
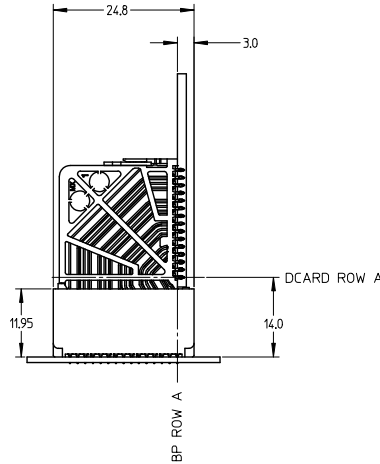
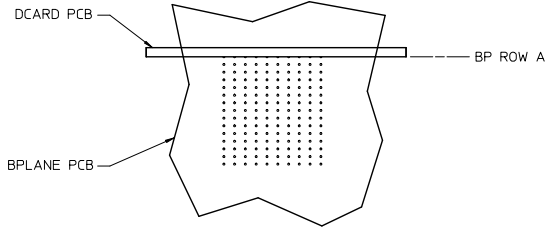
OF COLUMNS
1 = 10 COL
2 = 12 COL
6 = 16 COL
7 = 14 COL

P+PIN LENGTH

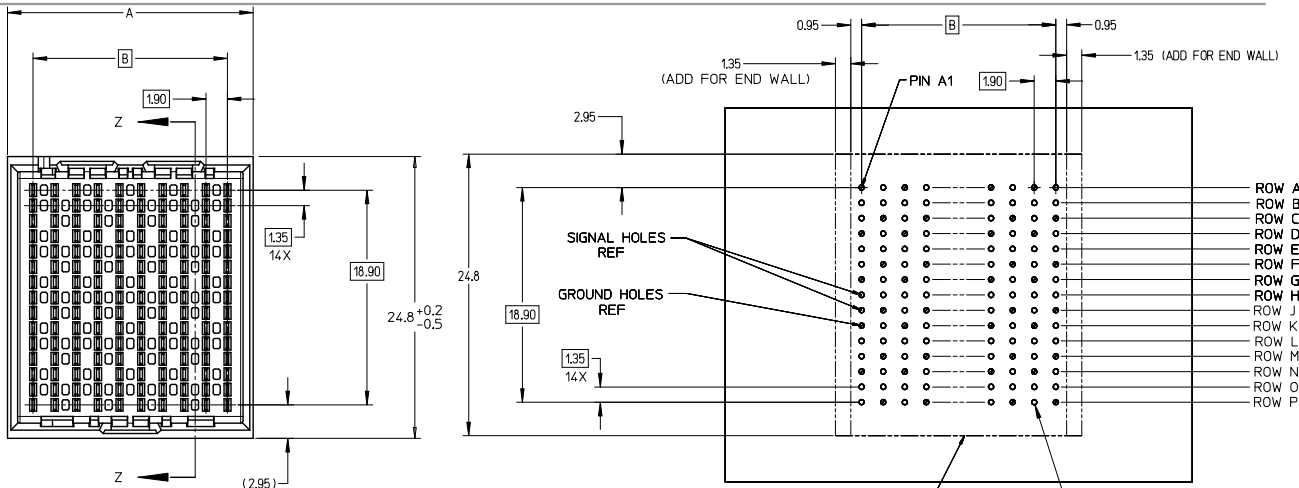
3 = 4.50 (SHORT COMPLIANT, 0.46±0.05 PTH)
4 = 4.90 (SHORT COMPLIANT, 0.46±0.05 PTH)
5 = 5.50 (SHORT COMPLIANT, 0.46±0.05 PTH)
6 = 4.50 (MICRO COMPLIANT, 0.39±0.05 PTH)
7 = 4.90 (MICRO COMPLIANT, 0.39±0.05 PTH)
8 = 5.50 (MICRO COMPLIANT, 0.39±0.05 PTH)

END WALL OPTIONS
0 = OPEN ENDS
1 = LEFT END WALL
2 = DUAL END WALL
3 = RIGHT END WALL

IMPACT 5 PAIR BOARD RELATIONSHIPS

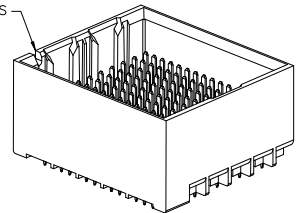
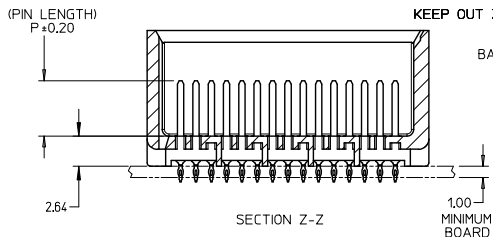


SEE SHEET 1 EC NO: UCP2016-2332 DRWNSVANG01 2015/12/09 CHKORWOLFE APPRSMILLER 2015/12/17 DESCRIPTION	QUANTITY	GENERAL TOLERANCES (UNLESS SPECIFIED)		DIMENSION STYLE		SCALE	DESIGN UNITS	THIRD ANGLE PROJECTION	
	SYMBOLS	mm	INCH	MM ONLY		2:1	METRIC		
	▽	4 PLACES ±---	±---	DRAWN BY	DATE	TITLE IMPACT 5 PAIR HEADER UNGUIDED PDNI ASSEMBLY SALES DRAWING molex MATERIAL NO. RSD-173430-001 DOCUMENT NO. SHEET NO. 3 OF 3			
	▽=0	3 PLACES ±---	±---	CHECKED BY	DATE				
▽=0	2 PLACES ±0.13	±---	APPROVED BY	DATE					
▽=0	1 PLACE ±0.25	±---	SMILLER	2015/12/17					
REV	ANGULAR ±1/2°	DRAFT WHERE APPLICABLE MUST REMAIN WITHIN DIMENSIONS		SEE TABLE					



ROW A
ROW B
ROW C
ROW D
ROW E
ROW F
ROW G
ROW H
ROW J
ROW K
ROW L
ROW M
ROW N
ROW O
ROW P

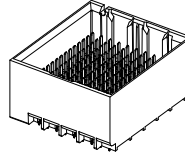
- NOTES:
1. MATERIALS: HOUSING - LIQUID CRYSTAL POLYMER (LCP)
GLASS-FILLED, UL94V-0
TERMINALS - HIGH PERFORMANCE COPPER ALLOY
 2. FINISH: 30μ MIN GOLD IN CONTACT AREA.
SELECTIVE TIN ON PCB TAILS.
NICKEL OVERALL.
 3. REFER TO MOLEX PRODUCT SPECIFICATION PS-76060-999
FOR PERFORMANCE SPECIFICATIONS AND ADDITIONAL PCB INFORMATION.
 4. THIS PART CONFORMS TO CLASS B REQUIREMENTS OF
MOLEX COSMETIC SPEC PS-45499-002.
 5. PARTS PACKAGED PER PK-70873-7702.
 6. SEE SHEETS 2 & 3 FOR PART NUMBERS AND BOARD RELATIONSHIPS.
 7. MATES WITH IMPACT DC SERIES NO. 76060.
 8. REFER TO MOLEX PCB ROUTING GUIDE AS-76060-990 FOR ANTIPAD AND
ROUTING RECOMMENDATIONS.
 9. *THESE DIMENSIONS REPRESENT THE AREA NEEDED TO ACCOMMODATE CONNECTOR
INSERTION AND REPAIR ON THE PC BOARD. THIS IS REFERRED TO AS THE
"CONNECTOR KEEP OUT ZONE" AND DOES NOT REPRESENT THE ACTUAL PERIMETER
OF THE CONNECTOR, WHEN LAYING OUT A PC BOARD FOR CONNECTORS STACKED
TOGETHER, USE THE 1.9mm PROGRESSION.*



CONVERT TO LEAD-FREE EC NO: UCP2015-2078 DRWNET:BARRA 2017/11/28 CHKGD: JB INDRAM 2017/12/18 APPR:SMILLER 2017/12/31	QUALITY SYMBOLS ∇=0 ∇=0 ∇=0	GENERAL TOLERANCES (UNLESS SPECIFIED)		DIMENSION STYLE MM ONLY		SCALE 4:1	DESIGN UNITS METRIC	THIRD ANGLE PROJECTION			
		4 PLACES ± --- ± ---	3 PLACES ± --- ± ---	2 PLACES ± 0.13 ± ---	1 PLACE ± 0.25 ± ---	0 PLACE ± ±	DRAWN BY JLAURX	DATE 2007/06/18	TITLE IMPACT 5 PAIR HEADER UNGUIDED ASSEMBLY SALES DRAWING		
		ANGULAR ± 1/2°		MATERIAL NO. SEE TABLE		DOCUMENT NO. SD-76055-001		SHEET NO. 1 OF 3			
		DRAFT WHERE APPLICABLE MUST REMAIN WITHIN DIMENSIONS		THIS DRAWING CONTAINS INFORMATION THAT IS PROPRIETARY TO MOLEX INCORPORATED AND SHOULD NOT BE USED WITHOUT WRITTEN PERMISSION							

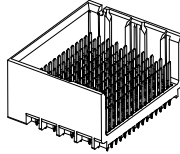
PART NUMBER TABLE

MATERIAL NUMBER	# OF COLUMNS	# OF DIFF PAIR	DIM 'A'	DIM 'B'	DUAL END WALL OPTION
76055- \ast 12 \ast	10	50	21.7	17.10	
76055- \ast 22 \ast	12	60	25.5	20.90	
76055- \ast 72 \ast	14	70	29.3	24.70	
76055- \ast 62 \ast	16	80	33.1	28.50	



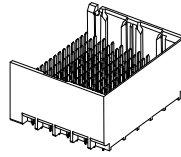
DUAL END
WALL
OPTION

MATERIAL NUMBER	# OF COLUMNS	# OF DIFF PAIR	DIM 'A'	DIM 'B'	LEFT END WALL OPTION
76055- \ast 11 \ast	10	50	20.3	17.10	
76055- \ast 21 \ast	12	60	24.1	20.90	
76055- \ast 71 \ast	14	70	27.9	24.70	
76055- \ast 61 \ast	16	80	31.7	28.50	



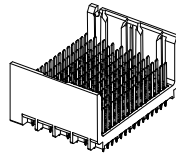
LEFT END
WALL
OPTION

MATERIAL NUMBER	# OF COLUMNS	# OF DIFF PAIR	DIM 'A'	DIM 'B'	RIGHT END WALL OPTION
76055- \ast 13 \ast	10	50	20.3	17.10	
76055- \ast 23 \ast	12	60	24.1	20.90	
76055- \ast 73 \ast	14	70	27.9	24.70	
76055- \ast 63 \ast	16	80	31.7	28.50	



RIGHT END
WALL
OPTION

MATERIAL NUMBER	# OF COLUMNS	# OF DIFF PAIR	DIM 'A'	DIM 'B'	OPEN WALL OPTION
76055- \ast 10 \ast	10	50	18.9	17.10	
76055- \ast 20 \ast	12	60	22.7	20.90	
76055- \ast 70 \ast	14	70	26.5	24.70	
76055- \ast 60 \ast	16	80	30.3	28.50	



OPEN
WALL
OPTION

SEE SHEET 1 EC NO: UCPE2019-2078 DRW: TIBARRA CHKD: BINGHAM APPR: MILLER	2012/11/26 2012/12/18 2012/12/31	QUALITY SYMBOLS ∇=0 ∇=0.13 ∇=0.25	GENERAL TOLERANCES (UNLESS SPECIFIED)		DIMENSION STYLE MM ONLY		SCALE 2:1	DESIGN UNITS METRIC	THIRD ANGLE PROJECTION		
			mm		INCH		DRAWN BY JLAURX	DATE 2007/06/18	TITLE IMPACT 5 PAIR HEADER UNGUIDED ASSEMBLY SALES DRAWING molex DOCUMENT NO. SD-76055-001 SHEET NO. 2 OF 3		
			4 PLACES ±		±		CHECKED BY JLAURX	DATE 2007/06/18			
			3 PLACES ±		±		APPROVED BY JLAURX	DATE 2010/10/15			
			2 PLACES ± 0.13		±						
1 PLACE ± 0.25		±									
0 PLACE ±		±									
ANGULAR ±1/2°				MATERIAL NO.		DOCUMENT NO.					
DRAFT WHERE APPLICABLE MUST REMAIN WITHIN DIMENSIONS				SEE TABLE							
THIS DRAWING CONTAINS INFORMATION THAT IS PROPRIETARY TO MOLEX INCORPORATED AND SHOULD NOT BE USED WITHOUT WRITTEN PERMISSION											

PART NUMBER LOGIC

76055-****

MODULE TYPE
1 = UNGUIDED.TIN

OF COLUMNS
1 = 10 COL
2 = 12 COL
6 = 16 COL
7 = 14 COL

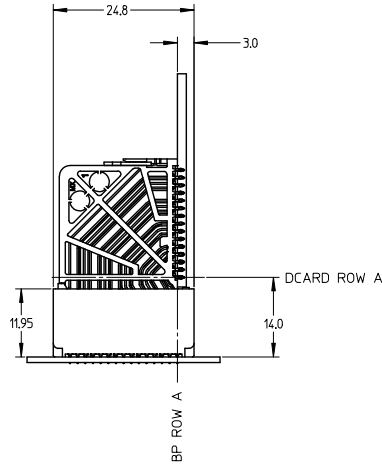
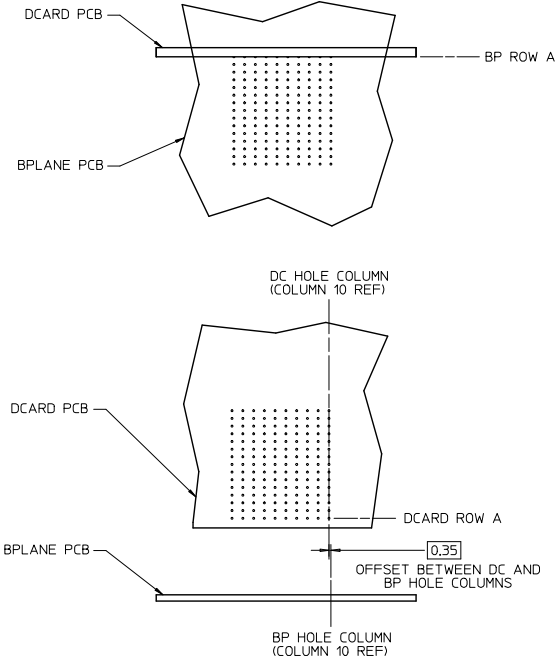
P+PIN LENGTH

- 3 = 4.50 (SHORT COMPLIANT, 0.46±0.05 PTH)
- 4 = 4.90 (SHORT COMPLIANT, 0.46±0.05 PTH)
- 5 = 5.50 (SHORT COMPLIANT, 0.46±0.05 PTH)
- 6 = 4.50 (MICRO COMPLIANT, 0.39±0.05 PTH)
- 7 = 4.90 (MICRO COMPLIANT, 0.39±0.05 PTH)
- 8 = 5.50 (MICRO COMPLIANT, 0.39±0.05 PTH)

END WALL OPTIONS

- 0 = OPEN ENDS
- 1 = LEFT END WALL
- 2 = DUAL END WALL
- 3 = RIGHT END WALL

IMPACT 5 PAIR BOARD RELATIONSHIPS



SEE SHEET 1 EC NO: UCP2015-2078 DRAWN BY: BARRA 2012/11/28 CHKD: BINGHAM 2012/12/18 APPR: MILLER 2012/12/31	QUALITY SYMBOLS ∇=0 ∇=0 ∇=0	GENERAL TOLERANCES (UNLESS SPECIFIED)		DIMENSION STYLE MM ONLY		SCALE 2:1	DESIGN UNITS METRIC	THIRD ANGLE PROJECTION		
		4 PLACES ± --- ± ---	3 PLACES ± --- ± ---	2 PLACES ± 0.13 ± ---	1 PLACE ± 0.25 ± ---	0 PLACE ± ±	DRAWN BY: JLAURX DATE: 2007/06/18	CHECKED BY: JLAURX DATE: 2007/06/18	APPROVED BY: JLAURX DATE: 2010/10/15	TITLE IMPACT 5 PAIR HEADER UNGUIDED ASSEMBLY SALES DRAWING
		ANGULAR ±1/2°		DRAFT WHERE APPLICABLE MUST REMAIN WITHIN DIMENSIONS		SEE TABLE	MATERIAL NO.	DOCUMENT NO. SD-76055-001	SHEET NO. 3 OF 3	
		THIS DRAWING CONTAINS INFORMATION THAT IS PROPRIETARY TO MOLEX INCORPORATED AND SHOULD NOT BE USED WITHOUT WRITTEN PERMISSION								