

## Excellent Integrated System Limited

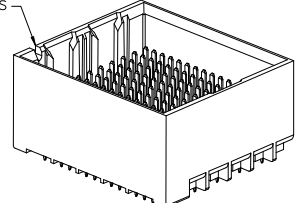
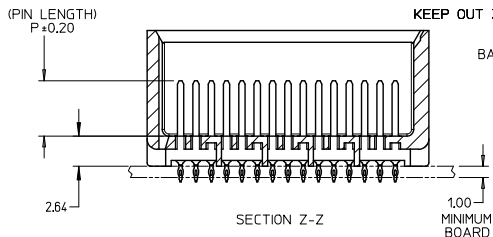
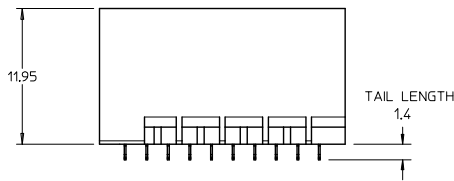
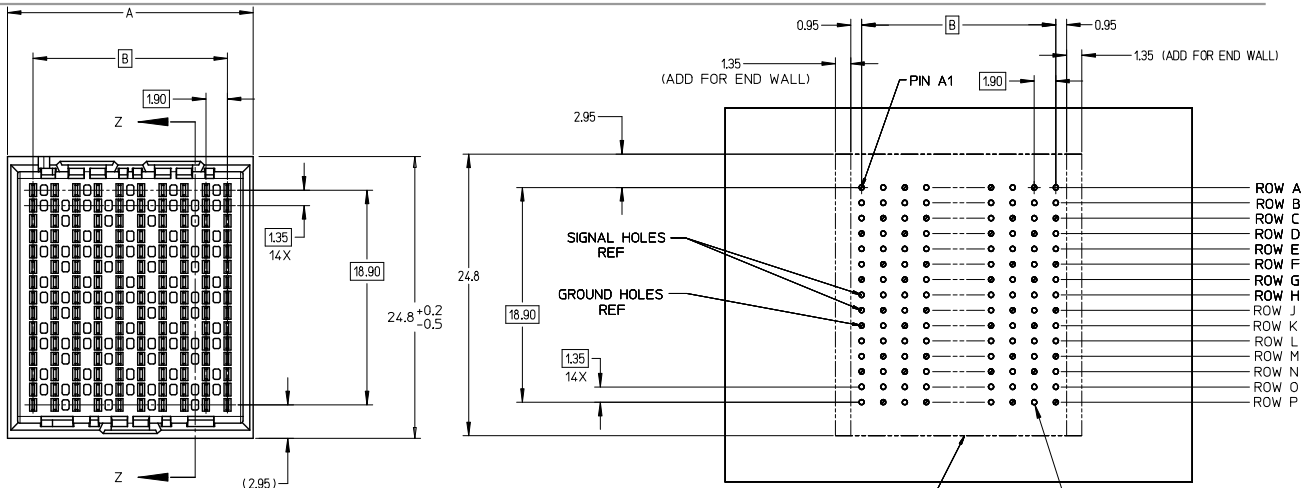
Stocking Distributor

Click to view price, real time Inventory, Delivery & Lifecycle Information:

[Molex Connector Corporation](#)  
[0760551633](#)

For any questions, you can email us directly:

[sales@integrated-circuit.com](mailto:sales@integrated-circuit.com)



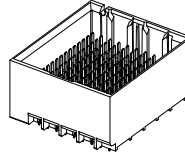
Pd-Ni  
PLATING

- NOTES:
1. MATERIALS: HOUSING - LIQUID CRYSTAL POLYMER (LCP)  
GLASS-FILLED, UL94V-0  
TERMINALS - HIGH PERFORMANCE COPPER ALLOY
  2. FINISH: 5 MICROINCH MINIMUM GOLD FLASH OVER 20 MICROINCH MINIMUM  
Pd-Ni IN CONTACT AREA, SELECTIVE TIN ON PCB TAILS. NICKEL OVERALL.
  3. REFER TO MOLEX PRODUCT SPECIFICATION PS-76060-999  
FOR PERFORMANCE SPECIFICATIONS AND ADDITIONAL PCB INFORMATION.
  4. THIS PART CONFORMS TO CLASS B REQUIREMENTS OF  
MOLEX COSMETIC SPEC PS-45499-002.
  5. PARTS PACKAGED PER PK-70873-7702.
  6. SEE SHEETS 2 & 3 FOR PART NUMBERS AND BOARD RELATIONSHIPS.
  7. MATE WITH IMPACT DC SERIES NO. 76060.
  8. REFER TO MOLEX PCB ROUTING GUIDE AS-76060-990 FOR ANTIPAD AND  
ROUTING RECOMMENDATIONS.
  9. \*THESE DIMENSIONS REPRESENT THE AREA NEEDED TO ACCOMMODATE CONNECTOR  
INSERTION AND REPAIR ON THE PC BOARD. THIS IS REFERRED TO AS THE  
'CONNECTOR KEEP OUT ZONE' AND DOES NOT REPRESENT THE ACTUAL PERIMETER  
OF THE CONNECTOR. WHEN LAYING OUT A PC BOARD FOR CONNECTORS STACKED  
TOGETHER, USE THE 1.9mm PROGRESSION.\*

INITIAL RELEASE EC NO: UCP2016-2332 DRW:SVANG01 2015/12/09 CHK:CMOLFE 2015/12/09 APPR:SMILLER 2015/12/17 A	QUALITY SYMBOLS ∇=0 ∇=0 ∇=0	GENERAL TOLERANCES (UNLESS SPECIFIED)		DIMENSION STYLE MM ONLY		SCALE 4:1	DESIGN UNITS METRIC	THIRD ANGLE PROJECTION	
		4 PLACES ± --- ± ---	3 PLACES ± --- ± ---	2 PLACES ± 0.13 ± ---	1 PLACE ± 0.25 ± ---	0 PLACE ± ±	DRAWN BY SVANG01 DATE 2015/12/09		
		ANGULAR ±1/2°		MATERIAL NO.		DOCUMENT NO.		TITLE	
		DRAFT WHERE APPLICABLE MUST REMAIN WITHIN DIMENSIONS		SEE TABLE		RSD-173430-001		IMPACT 5 PAIR HEADER UNGUIDED PDNI ASSEMBLY SALES DRAWING	
THIS DRAWING CONTAINS INFORMATION THAT IS PROPRIETARY TO MOLEX INCORPORATED AND SHOULD NOT BE USED WITHOUT WRITTEN PERMISSION		SIZE C		SHEET NO. 1 OF 3					

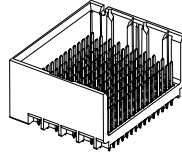
PART NUMBER TABLE

MATERIAL NUMBER	# OF COLUMNS	# OF DIFF PAIR	DIM 'A'	DIM 'B'	DUAL END WALL OPTION
173430- <b>*12*</b>	10	50	21.7	17.10	
173430- <b>*22*</b>	12	60	25.5	20.90	
173430- <b>*72*</b>	14	70	29.3	24.70	
173430- <b>*62*</b>	16	80	33.1	28.50	



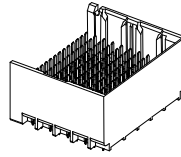
DUAL END  
WALL OPTION

MATERIAL NUMBER	# OF COLUMNS	# OF DIFF PAIR	DIM 'A'	DIM 'B'	LEFT END WALL OPTION
173430- <b>*11*</b>	10	50	20.3	17.10	
173430- <b>*21*</b>	12	60	24.1	20.90	
173430- <b>*71*</b>	14	70	27.9	24.70	
173430- <b>*61*</b>	16	80	31.7	28.50	



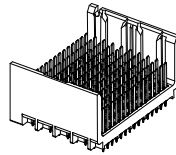
LEFT END  
WALL OPTION

MATERIAL NUMBER	# OF COLUMNS	# OF DIFF PAIR	DIM 'A'	DIM 'B'	RIGHT END WALL OPTION
173430- <b>*13*</b>	10	50	20.3	17.10	
173430- <b>*23*</b>	12	60	24.1	20.90	
173430- <b>*73*</b>	14	70	27.9	24.70	
173430- <b>*63*</b>	16	80	31.7	28.50	



RIGHT END  
WALL OPTION

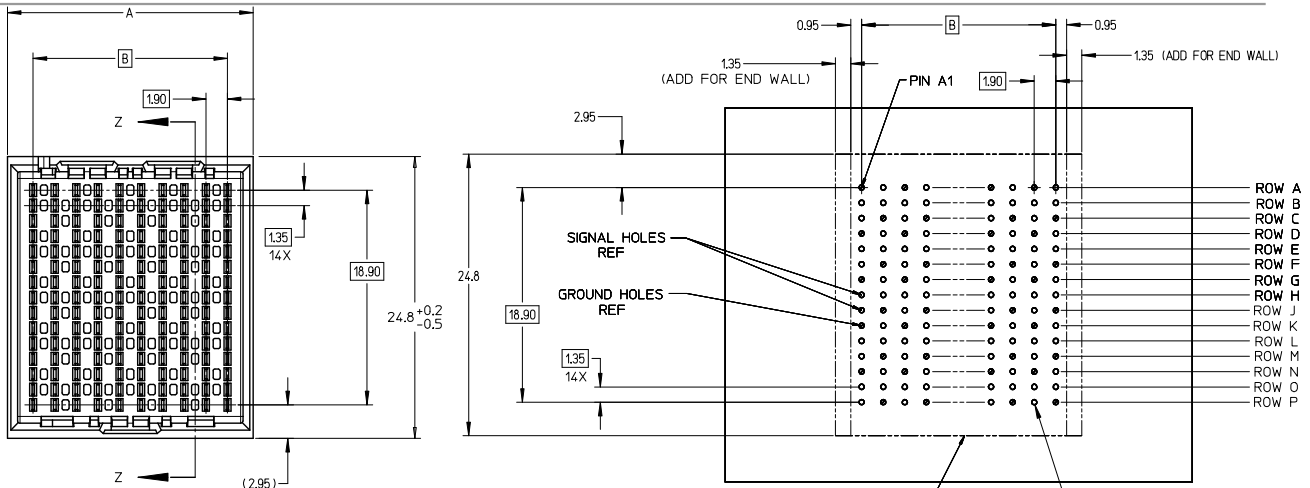
MATERIAL NUMBER	# OF COLUMNS	# OF DIFF PAIR	DIM 'A'	DIM 'B'	OPEN WALL OPTION
173430- <b>*10*</b>	10	50	18.9	17.10	
173430- <b>*20*</b>	12	60	22.7	20.90	
173430- <b>*70*</b>	14	70	26.5	24.70	
173430- <b>*60*</b>	16	80	30.3	28.50	



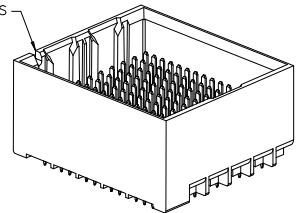
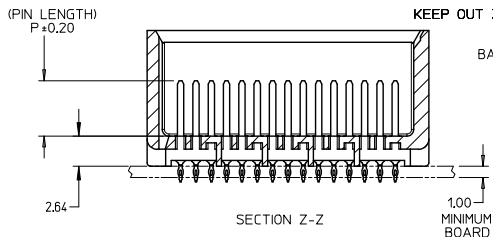
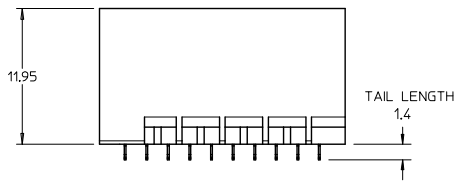
OPEN  
WALL OPTION

<b>SEE SHEET 1</b> EC NO: UCF2016-2332 DRAWN BY: SVANG01 CHKD BY: MWOLFE APPR: SMILLER	QUALITY SYMBOLS 	GENERAL TOLERANCES (UNLESS SPECIFIED)		DIMENSION STYLE		SCALE	DESIGN UNITS	THIRD ANGLE PROJECTION	
			mm	INCH	MM ONLY		2:1	METRIC	
		4 PLACES	±	---	DRAWN BY	DATE	TITLE		
		3 PLACES	±	---	SVANG01	2015/12/09	IMPACT 5 PAIR HEADER		
		2 PLACES	±	0.13	CHECKED BY	DATE	UNGUIDED PDNI		
1 PLACE	±	0.25	MWOLFE	2015/12/09	ASSEMBLY SALES DRAWING				
0 PLACE	±	---	APPROVED BY	DATE					
ANGULAR ±1/2°			SMILLER	2015/12/17					
DRAFT WHERE APPLICABLE MUST REMAIN WITHIN DIMENSIONS		SEE TABLE		MATERIAL NO.	DOCUMENT NO.	SHEET NO.			
					RSD-173430-001	2 OF 3			
THIS DRAWING CONTAINS INFORMATION THAT IS PROPRIETARY TO MOLEX INCORPORATED AND SHOULD NOT BE USED WITHOUT WRITTEN PERMISSION									





ROW A  
ROW B  
ROW C  
ROW D  
ROW E  
ROW F  
ROW G  
ROW H  
ROW J  
ROW K  
ROW L  
ROW M  
ROW N  
ROW O  
ROW P

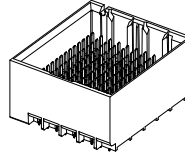


- NOTES:
1. MATERIALS: HOUSING - LIQUID CRYSTAL POLYMER (LCP)  
GLASS-FILLED, UL94V-0  
TERMINALS - HIGH PERFORMANCE COPPER ALLOY
  2. FINISH: 30μ MIN GOLD IN CONTACT AREA.  
SELECTIVE TIN ON PCB TAILS.  
NICKEL OVERALL.
  3. REFER TO MOLEX PRODUCT SPECIFICATION PS-76060-999  
FOR PERFORMANCE SPECIFICATIONS AND ADDITIONAL PCB INFORMATION.
  4. THIS PART CONFORMS TO CLASS B REQUIREMENTS OF  
MOLEX COSMETIC SPEC PS-45499-002.
  5. PARTS PACKAGED PER PK-70873-7702.
  6. SEE SHEETS 2 & 3 FOR PART NUMBERS AND BOARD RELATIONSHIPS.
  7. MATES WITH IMPACT DC SERIES NO. 76060.
  8. REFER TO MOLEX PCB ROUTING GUIDE AS-76060-990 FOR ANTIPAD AND  
ROUTING RECOMMENDATIONS.
  9. \*THESE DIMENSIONS REPRESENT THE AREA NEEDED TO ACCOMMODATE CONNECTOR  
INSERTION AND REPAIR ON THE PC BOARD. THIS IS REFERRED TO AS THE  
"CONNECTOR KEEP OUT ZONE" AND DOES NOT REPRESENT THE ACTUAL PERIMETER  
OF THE CONNECTOR, WHEN LAYING OUT A PC BOARD FOR CONNECTORS STACKED  
TOGETHER, USE THE 1.9mm PROGRESSION.\*

CONVERT TO LEAD-FREE EC NO: UCP2015-2078 DRWNET:BARRA 2017/11/28 CHKGD: JB INDRAM 2017/12/18 APPR:SMILLER 2017/12/31	QUALITY SYMBOLS 	GENERAL TOLERANCES (UNLESS SPECIFIED)		DIMENSION STYLE <b>MM ONLY</b>		SCALE 4:1	DESIGN UNITS METRIC	THIRD ANGLE PROJECTION			
		4 PLACES ± --- ± ---	3 PLACES ± --- ± ---	DRAWN BY JLAURX	DATE 2007/06/18	TITLE <b>IMPACT 5 PAIR HEADER          UNGUIDED ASSEMBLY          SALES DRAWING</b>  					
		2 PLACES ± 0.13 ± ---	1 PLACE ± 0.25 ± ---	CHECKED BY JLAURX	DATE 2007/06/18						
		0 PLACE ± ±	ANGULAR ± 1/2°	APPROVED BY JLAURX	DATE 2010/10/15						
DRAFT WHERE APPLICABLE MUST REMAIN WITHIN DIMENSIONS		MATERIAL NO. <b>SEE TABLE</b>	DOCUMENT NO. SD-76055-001	SHEET NO. 1 OF 3							

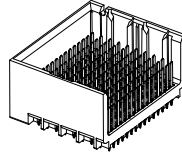
PART NUMBER TABLE

MATERIAL NUMBER	# OF COLUMNS	# OF DIFF PAIR	DIM 'A'	DIM 'B'	DUAL END WALL OPTION
76055- $\ast$ 12 $\ast$	10	50	21.7	17.10	
76055- $\ast$ 22 $\ast$	12	60	25.5	20.90	
76055- $\ast$ 72 $\ast$	14	70	29.3	24.70	
76055- $\ast$ 62 $\ast$	16	80	33.1	28.50	



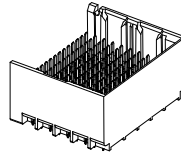
DUAL END  
WALL  
OPTION

MATERIAL NUMBER	# OF COLUMNS	# OF DIFF PAIR	DIM 'A'	DIM 'B'	LEFT END WALL OPTION
76055- $\ast$ 11 $\ast$	10	50	20.3	17.10	
76055- $\ast$ 21 $\ast$	12	60	24.1	20.90	
76055- $\ast$ 71 $\ast$	14	70	27.9	24.70	
76055- $\ast$ 61 $\ast$	16	80	31.7	28.50	



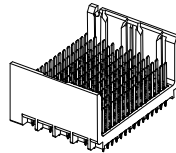
LEFT END  
WALL  
OPTION

MATERIAL NUMBER	# OF COLUMNS	# OF DIFF PAIR	DIM 'A'	DIM 'B'	RIGHT END WALL OPTION
76055- $\ast$ 13 $\ast$	10	50	20.3	17.10	
76055- $\ast$ 23 $\ast$	12	60	24.1	20.90	
76055- $\ast$ 73 $\ast$	14	70	27.9	24.70	
76055- $\ast$ 63 $\ast$	16	80	31.7	28.50	



RIGHT END  
WALL  
OPTION

MATERIAL NUMBER	# OF COLUMNS	# OF DIFF PAIR	DIM 'A'	DIM 'B'	OPEN WALL OPTION
76055- $\ast$ 10 $\ast$	10	50	18.9	17.10	
76055- $\ast$ 20 $\ast$	12	60	22.7	20.90	
76055- $\ast$ 70 $\ast$	14	70	26.5	24.70	
76055- $\ast$ 60 $\ast$	16	80	30.3	28.50	



OPEN  
WALL  
OPTION

SEE SHEET 1 EC NO: UCF2019-2078 DRAWN BY: BARRA CHKD: BINGHAM APPR: MILLER	2012/11/26 2012/12/18 2012/12/31	QUALITY SYMBOLS ∇=0 ∇=0 ∇=0	GENERAL TOLERANCES (UNLESS SPECIFIED)		DIMENSION STYLE MM ONLY		SCALE 2:1	DESIGN UNITS METRIC	THIRD ANGLE PROJECTION		
				mm	INCH	DRAWN BY	DATE	TITLE			
			4 PLACES	±	---	JLAURX	2007/06/18	IMPACT 5 PAIR HEADER UNGUIDED ASSEMBLY SALES DRAWING <b>molex</b>			
			3 PLACES	±	---	CHECKED BY	DATE				
			2 PLACES	±	0.13	JLAURX	2007/06/18				
1 PLACE	±	0.25	APPROVED BY	DATE							
0 PLACE	±	---	JLAURX	2010/10/15	MATERIAL NO.	DOCUMENT NO.	SHEET NO.				
DRAFT WHERE APPLICABLE MUST REMAIN WITHIN DIMENSIONS			ANGULAR ±1/2°		SEE TABLE		SD-76055-001				
THIS DRAWING CONTAINS INFORMATION THAT IS PROPRIETARY TO MOLEX INCORPORATED AND SHOULD NOT BE USED WITHOUT WRITTEN PERMISSION											

**PART NUMBER LOGIC**

76055-\*\*\*\*

MODULE TYPE  
1 = UNGUIDED.TIN

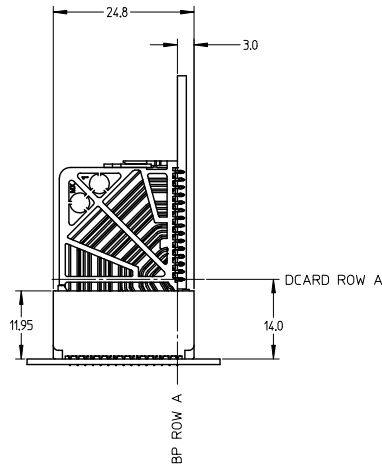
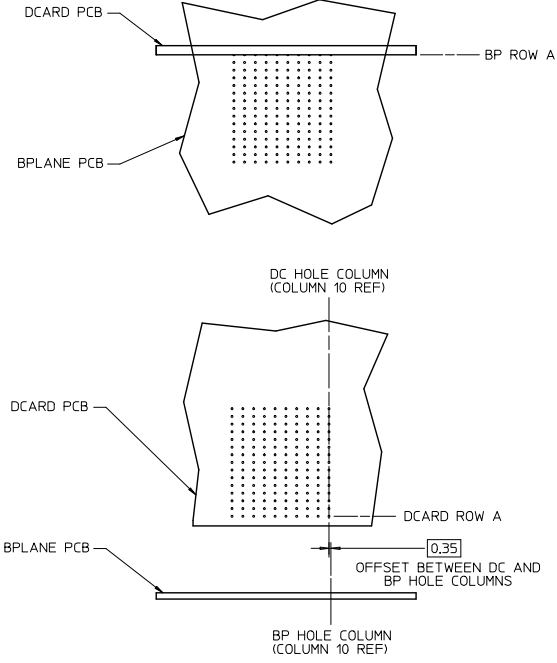
# OF COLUMNS  
1 = 10 COL  
2 = 12 COL  
6 = 16 COL  
7 = 14 COL

P+PIN LENGTH

- 3 = 4.50 (SHORT COMPLIANT, 0.46±0.05 PTH)
- 4 = 4.90 (SHORT COMPLIANT, 0.46±0.05 PTH)
- 5 = 5.50 (SHORT COMPLIANT, 0.46±0.05 PTH)
- 6 = 4.50 (MICRO COMPLIANT, 0.39±0.05 PTH)
- 7 = 4.90 (MICRO COMPLIANT, 0.39±0.05 PTH)
- 8 = 5.50 (MICRO COMPLIANT, 0.39±0.05 PTH)

END WALL OPTIONS  
0 = OPEN ENDS  
1 = LEFT END WALL  
2 = DUAL END WALL  
3 = RIGHT END WALL

**IMPACT 5 PAIR BOARD RELATIONSHIPS**



SEE SHEET 1 EC NO: UCP2019-2078 DRAWN BY: BARRA 2012/11/28 CHKD: BINGHAM 2012/12/18 APPR: MILLER 2012/12/31	QUALITY SYMBOLS ∇=0 ∇=0 ∇=0	GENERAL TOLERANCES (UNLESS SPECIFIED)		DIMENSION STYLE		SCALE	DESIGN UNITS	THIRD ANGLE PROJECTION	
				MM ONLY		2:1	METRIC		
		4 PLACES ±---	±---	DRAWN BY	DATE	TITLE IMPACT 5 PAIR HEADER UNGUIDED ASSEMBLY SALES DRAWING <b>molex</b>			
		3 PLACES ±---	±---	CHECKED BY	DATE				
2 PLACES ±0.13	±---	APPROVED BY	DATE						
1 PLACE ±0.25	±---	MATERIAL NO.	DOCUMENT NO.						
0 PLACE ±	±	ANGULAR ±1/2°		SEE TABLE		SD-76055-001		SHEET NO. 3 OF 3	
DRAFT WHERE APPLICABLE MUST REMAIN WITHIN DIMENSIONS		THIS DRAWING CONTAINS INFORMATION THAT IS PROPRIETARY TO MOLEX INCORPORATED AND SHOULD NOT BE USED WITHOUT WRITTEN PERMISSION							