

## Excellent Integrated System Limited

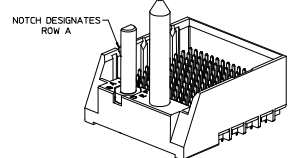
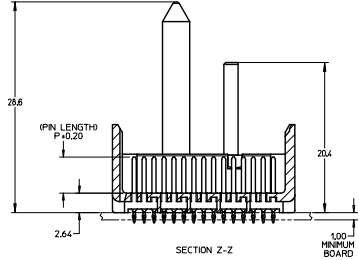
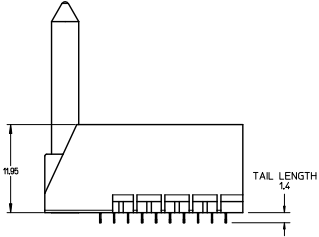
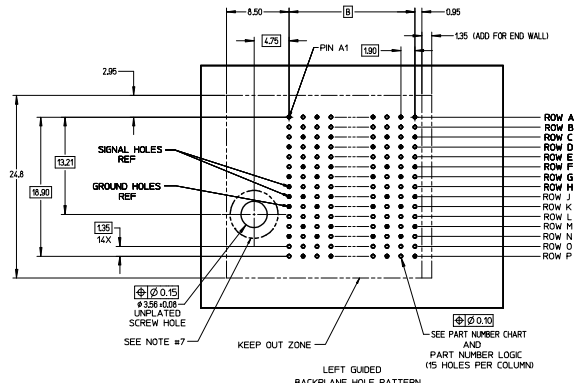
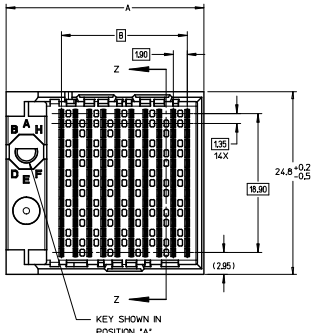
Stocking Distributor

Click to view price, real time Inventory, Delivery & Lifecycle Information:

[Molex Connector Corporation](#)  
[0760553605](#)

For any questions, you can email us directly:

[sales@integrated-circuit.com](mailto:sales@integrated-circuit.com)



- NOTES:
1. MATERIALS: HOUSING - LIQUID CRYSTAL POLYMER (LCP) GLASS-FILLED, UL94V-0
  2. TERMINALS - HIGH PERFORMANCE COPPER ALLOY  
5 MICRONCH MINIMUM GOLD FLASH OVER 20 MICRONCH MINIMUM  
Pd-Ni IN CONTACT AREA, SELECTIVE TIN ON PCB TAILS, NICKEL OVERALL.
  3. REFER TO MOLEX PRODUCT SPECIFICATION PS-76060-999 FOR PERFORMANCE SPECIFICATIONS AND ADDITIONAL PCB INFORMATION.
  4. THIS PART CONFORMS TO CLASS B REQUIREMENTS OF MOLEX COSMETIC SPEC PS-45499-002.
  5. PACKAGE PER: PK-70873-759.
  6. SEE SHEETS 2 & 3 FOR PART NUMBERS AND BOARD RELATIONSHIPS.
  7. FOR GROUNDED GUIDE PINS USE DIA. 3.56 +/-0.08 (PTH) DIA. 3.66 (DRILL) AND DIA 6.5 (PAD).
  8. MATES WITH IMPACT DC SERIES NO. 76060.
  9. KEEP OUT ZONE FOR BP HOUSING LENGTH INCLUDES AN ADDITIONAL 10MM TO ACCOMMODATE FOR SPACE REQUIRED BY DC FRONT HOUSING.
  10. REFER TO MOLEX PCB ROUTING GUIDE AS-76060-990 FOR ANTI PAD AND ROUTING RECOMMENDATIONS.
  11. CONNECTORS SUPPLIED WITH A 2-56 UNC-2A SCREW.
  12. THESE DIMENSIONS REPRESENT THE AREA NEEDED TO ACCOMMODATE CONNECTOR INSERTION AND REPAIR ON THE PCB BOARD, THIS IS REFERRED TO AS THE 'CONNECTOR KEEP OUT ZONE' AND DOES NOT REPRESENT THE ACTUAL PERIMETER OF THE CONNECTOR, WHEN LAYING OUT A PCB BOARD FOR CONNECTORS STACK TOGETHER, USE A 1.9mm PROGRESSION.

Pd-Ni  
PLATING

QUALITY SYMBOLS	GENERAL TOLERANCES (UNLESS SPECIFIED)	DRIVEN BY	DATE	TITLE	THIRD ANGLE PROJECTION
	4 PLACES ±0.13	SVANG01	2015/12/09	IMPACT 5 PAIR HEADER LEFT GUIDED PDI ASSEMBLY SALES DRAWING	molex
3 PLACES ±0.25	CHECKED BY	DATE		DOCUMENT NO.	
2 PLACES ±0.25	APPROVED BY	DATE		RSD-173430-002	SHEET NO.
1 PLACE ±0.25					1 OF 3
0 PLACE ±0.25					

PART NUMBER LOGIC

173430-\*\*\*\*

MODULE TYPE

- 3 = GUIDE LEFT, TIN
- 7 = GUIDE LEFT END WALL, TIN

PIN LENGTH (P)

- 3 = 4.50 (SHORT COMPLIANT, 0.46±0.05 PTH)
- 4 = 4.90 (SHORT COMPLIANT, 0.46±0.05 PTH)
- 5 = 5.50 (SHORT COMPLIANT, 0.46±0.05 PTH)
- 6 = 4.50 (MICRO COMPLIANT, 0.39±0.05 PTH)
- 7 = 4.90 (MICRO COMPLIANT, 0.39±0.05 PTH)
- 8 = 5.50 (MICRO COMPLIANT, 0.39±0.05 PTH)

# OF COLUMNS

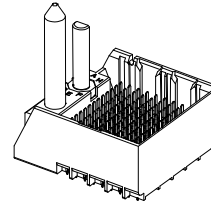
- 1 = 10 COL
- 2 = 12 COL
- 6 = 16 COL
- 7 = 14 COL

KEY ORIENTATION

- 0 = NO KEY
- 1 = A
- 2 = B
- 3 = C
- 4 = D
- 5 = E
- 6 = F
- 7 = G
- 8 = H

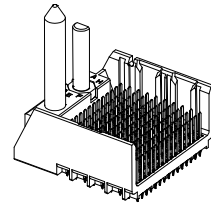
PART NUMBER TABLE

MATERIAL NUMBER	# OF COLUMNS	# OF DIFF PAIR	DIM 'A'	DIM 'B'	
173430-1**	10	50	26.9	17.10	GUIDE LEFT END WALL OPTION
173430-2**	12	60	30.7	20.90	
173430-7**	14	70	34.5	24.70	
173430-6**	16	80	38.3	28.50	



GUIDE LEFT  
END WALL  
OPTION

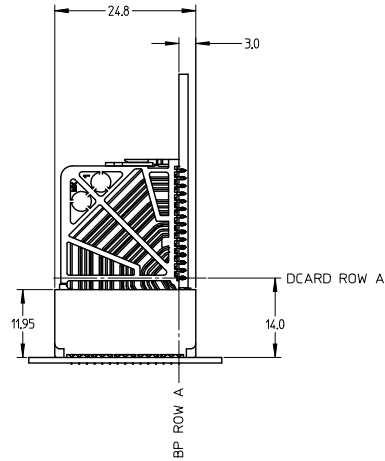
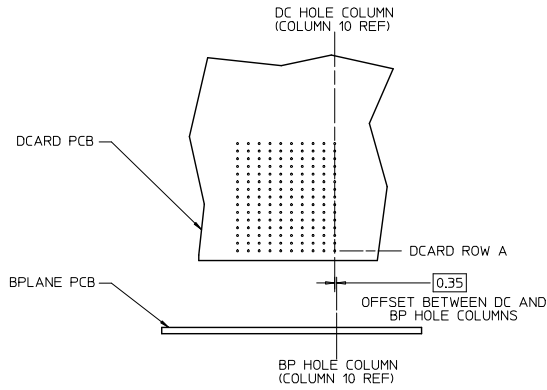
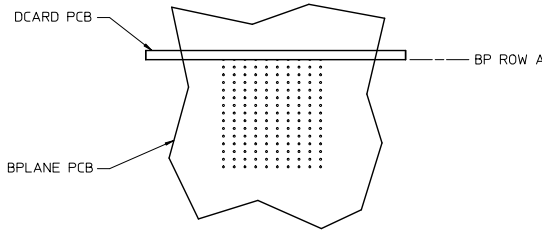
MATERIAL NUMBER	# OF COLUMNS	# OF DIFF PAIR	DIM 'A'	DIM 'B'	
173430-1**	10	50	25.5	17.10	GUIDE LEFT OPEN WALL OPTION
173430-2**	12	60	29.3	20.90	
173430-7**	14	70	33.1	24.70	
173430-6**	16	80	36.9	28.50	



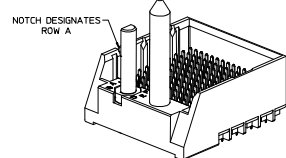
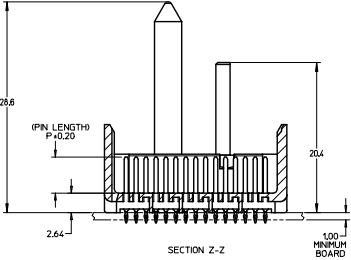
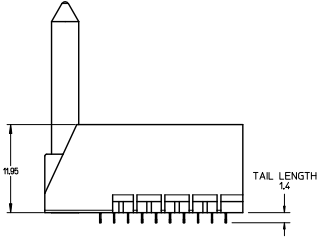
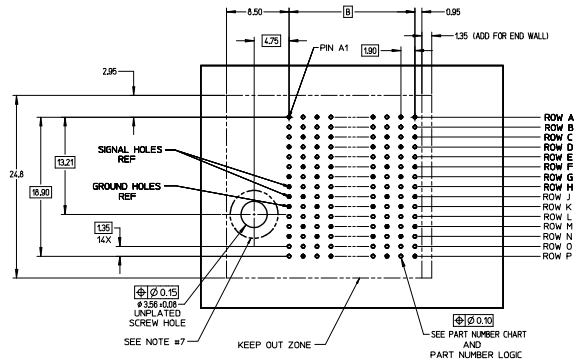
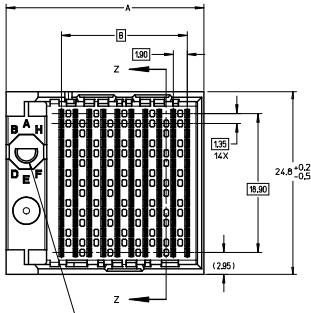
GUIDE LEFT  
OPEN WALL  
OPTION

SEE SHEET 1 EC NO: UCP2016-2332 DRWNSVANG01 2015/12/09 CHKRMWOLFE 2015/12/09 APPR:SMILLER 2015/12/17	QUALITY SYMBOLS ▽=0 ▽=0 ▽=0	GENERAL TOLERANCES (UNLESS SPECIFIED)		DIMENSION STYLE		SCALE	DESIGN UNITS	THIRD ANGLE PROJECTION		
				MM ONLY		2:1	METRIC			
		4 PLACES	±---	±---	DRAWN BY	DATE	TITLE IMPACT 5 PAIR HEADER LEFT GUIDED PDNI ASSEMBLY SALES DRAWING 			
		3 PLACES	±---	±---	SVANG01	2015/12/09				
2 PLACES	±0.13	±---	CHECKED BY	DATE						
1 PLACE	±0.25	±---	MWOLFE	2015/12/09						
0 PLACE	±	±---	APPROVED BY	DATE	MATERIAL NO.		DOCUMENT NO.	SHEET NO.		
ANGULAR ±1/2°		SEE TABLE		RSD-173430-002		2 OF 3				
DRAFT WHERE APPLICABLE MUST REMAIN WITHIN DIMENSIONS		THIS DRAWING CONTAINS INFORMATION THAT IS PROPRIETARY TO MOLEX INCORPORATED AND SHOULD NOT BE USED WITHOUT WRITTEN PERMISSION								

IMPACT 5 PAIR  
BOARD RELATIONSHIPS



SEE SHEET 1 EC NO: UCP2016-2332 DRWNSVANG01 2015/12/09 CHKRMOLFE 2015/12/09 APPRSMILLER 2015/12/17 A REV	QUALITY SYMBOLS ∇=0 ∇=0 ∇=0	GENERAL TOLERANCES (UNLESS SPECIFIED)		DIMENSION STYLE		SCALE	DESIGN UNITS	THIRD ANGLE PROJECTION		
				MM ONLY		2:1	METRIC			
		4 PLACES ±	mm	INCH	DRAWN BY	DATE	TITLE IMPACT 5 PAIR HEADER LEFT GUIDED PDNI ASSEMBLY SALES DRAWING <b>molex</b> MATERIAL NO. RSD-173430-002 DOCUMENT NO. SHEET NO. 3 OF 3			
		3 PLACES ±			SVANG01	2015/12/09				
2 PLACES ±0.13			CHECKED BY	DATE						
1 PLACE ±0.25			MWOLFE	2015/12/09						
0 PLACE ±			APPROVED BY	DATE						
			SMILLER	2015/12/17						
ANGULAR ±1/2°		DRAFT WHERE APPLICABLE MUST REMAIN WITHIN DIMENSIONS		SEE TABLE						
				SIZE C		THIS DRAWING CONTAINS INFORMATION THAT IS PROPRIETARY TO MOLEX INCORPORATED AND SHOULD NOT BE USED WITHOUT WRITTEN PERMISSION				



- NOTES:**
1. MATERIALS: HOUSING - LIQUID CRYSTAL POLYMER (LCP) (GLASS-FILLED, UL94V-0)  
TERMINALS - HIGH PERFORMANCE COPPER ALLOY
  2. FINISH: 30μ MIN GOLD IN CONTACT AREA, SELECTIVE TIN ON PCB TAILS, NICKEL OVERALL.
  3. REFER TO MOLEX PRODUCT SPECIFICATION PS-76060-999 FOR PERFORMANCE SPECIFICATIONS AND ADDITIONAL PCB INFORMATION.
  4. THIS PART CONFORMS TO CLASS B REQUIREMENTS OF MOLEX COSMETIC SPEC PS-45499-002.
  5. PACKAGE PER: PK-70873-759.
  6. SEE SHEETS 2 & 3 FOR PART NUMBERS AND BOARD RELATIONSHIPS.
  7. FOR GROUNDED GUIDE PINS USE DIA. 3.56 +/-0.08 (PTH) DIA. 3.66 (DRILL) AND DIA. 6.5 (PAD).
  8. MATES WITH IMPACT DC SERIES NO. 76060.
  9. KEEP OUT ZONE FOR BP HOUSING LENGTH INCLUDES AN ADDITIONAL 10MM TO ACCOMMODATE FOR SPACE REQUIRED BY DC FRONT HOUSING.
  10. REFER TO MOLEX PCB ROUTING GUIDE AS-76060-990 FOR ANTI-PAD AND ROUTING RECOMMENDATIONS.
  11. CONNECTORS SUPPLIED WITH A 2-56 UNC-2A SCREW.
  12. THESE DIMENSIONS REPRESENT THE AREA NEEDED TO ACCOMMODATE CONNECTOR INSERTION AND REPAIR ON THE PCB BOARD. THIS IS REFERRED TO AS THE "CONNECTOR KEEP OUT ZONE" AND DOES NOT REPRESENT THE ACTUAL PERIMETER OF THE CONNECTOR. WHEN LAYING OUT A PCB BOARD FOR CONNECTORS STACK TOGETHER, USE A 1.9mm PROGRESSION.

CONVERT TO LEAD-FREE EC NO. LFP2013-2018 DRAWN BY: BARBA 2017/11/26 CHECKED BY: INGHAM 2017/12/18 APPROVED BY: SHILLER 2017/12/21 DATE:	QUALITY SYMBOLS 4 PLACES ±0.10 3 PLACES ±0.13 2 PLACES ±0.25 1 PLACE ±0.25 0 PLACE ±	GENERAL TOLERANCES (UNLESS SPECIFIED) DIMENSION STYLE: MM ONLY SCALE: 4:1 DESIGN UNITS: METRIC THIRD ANGLE PROJECTION	DRAWN BY: MSANDBERG 05/24/2007 CHECKED BY: JLAURX 05/24/2007 APPROVED BY: JLAURX 2010/10/15	TITLE: IMPACT 5 PAIR HEADER LEFT GUIDED ASSEMBLY SALES DRAWING molex DOCUMENT NO: SD-76055-002 SHEET NO: 1 OF 3
		ANGULAR ±1/2° DRAFT WHERE APPLICABLE MUST REMAIN WITHIN DIMENSIONS SEE TABLE THIS DRAWING CONTAINS INFORMATION THAT IS PROPRIETARY TO MOLEX INCORPORATED AND SHOULD NOT BE USED WITHOUT WRITTEN PERMISSION		

PART NUMBER LOGIC

76055-\*\*\*\*

MODULE TYPE

- 3 = GUIDE LEFT, TIN
- 7 = GUIDE LEFT END WALL, TIN

PIN LENGTH (P)

- 3 = 4.50 (SHORT COMPLIANT, 0.46±0.05 PTH)
- 4 = 4.90 (SHORT COMPLIANT, 0.46±0.05 PTH)
- 5 = 5.50 (SHORT COMPLIANT, 0.46±0.05 PTH)
- 6 = 4.50 (MICRO COMPLIANT, 0.39±0.05 PTH)
- 7 = 4.90 (MICRO COMPLIANT, 0.39±0.05 PTH)
- 8 = 5.50 (MICRO COMPLIANT, 0.39±0.05 PTH)

# OF COLUMNS

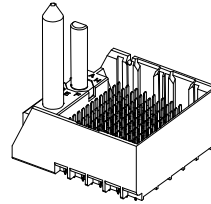
- 1 = 10 COL
- 2 = 12 COL
- 6 = 16 COL
- 7 = 14 COL

KEY ORIENTATION

- 0 = NO KEY
- 1 = A
- 2 = B
- 3 = C
- 4 = D
- 5 = E
- 6 = F
- 7 = G
- 8 = H

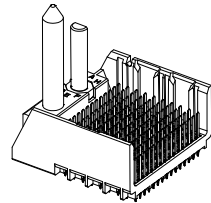
PART NUMBER TABLE

MATERIAL NUMBER	# OF COLUMNS	# OF DIFF PAIR	DIM 'A'	DIM 'B'	
76055- <i>x1**</i>	10	50	26.9	17.10	GUIDE LEFT END WALL OPTION
76055- <i>x2**</i>	12	60	30.7	20.90	
76055- <i>x7**</i>	14	70	34.5	24.70	
76055- <i>x6**</i>	16	80	38.3	28.50	



GUIDE LEFT  
END WALL  
OPTION

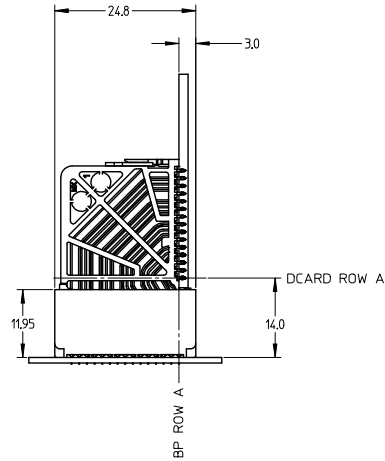
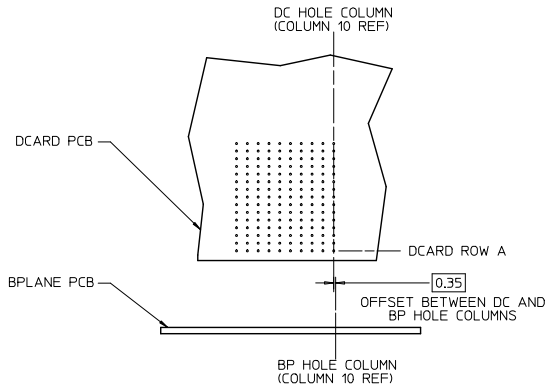
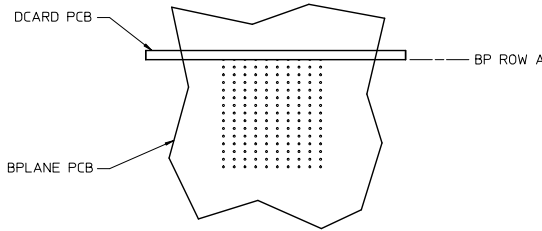
MATERIAL NUMBER	# OF COLUMNS	# OF DIFF PAIR	DIM 'A'	DIM 'B'	
76055- <i>x1**</i>	10	50	25.5	17.10	GUIDE LEFT OPEN WALL OPTION
76055- <i>x2**</i>	12	60	29.3	20.90	
76055- <i>x7**</i>	14	70	33.1	24.70	
76055- <i>x6**</i>	16	80	36.9	28.50	



GUIDE LEFT  
OPEN WALL  
OPTION

SEE SHEET 1 EC NO: UCP2015-2078 DRAWN: IBARRA 2012/11/26 CHKD: BINGHAM 2012/12/18 APPR: SMILLER 2012/12/21	QUALITY SYMBOLS ∇=0 ∇=0.13 ∇=0.25	DESCRIPTION	GENERAL TOLERANCES (UNLESS SPECIFIED)		DIMENSION STYLE MM ONLY		SCALE 2:1	DESIGN UNITS METRIC	THIRD ANGLE PROJECTION		
					DRAWN BY MSANDBERG		DATE 05/24/2007		TITLE IMPACT 5 PAIR HEADER LEFT GUIDED ASSEMBLY SALES DRAWING 		
					CHECKED BY JLAURX		DATE 05/24/2007				
					APPROVED BY JLAURX		DATE 2010/10/15				
		MATERIAL NO.		DOCUMENT NO.		SHEET NO.					
DRAFT WHERE APPLICABLE MUST REMAIN WITHIN DIMENSIONS			ANGULAR ±1/2°		SEE TABLE		SD-76055-002		2 OF 3		
THIS DRAWING CONTAINS INFORMATION THAT IS PROPRIETARY TO MOLEX INCORPORATED AND SHOULD NOT BE USED WITHOUT WRITTEN PERMISSION											

IMPACT 5 PAIR  
BOARD RELATIONSHIPS



SEE SHEET 1 EC NO: UCP2013-2078 DRAWN BY: BARRA 2012/11/28 CHECKED BY: INGHAM 2012/12/18 APPROVED BY: MILLER 2012/12/31	QUALITY SYMBOLS ∇=0 ∇=0 ∇=0	GENERAL TOLERANCES (UNLESS SPECIFIED)		DIMENSION STYLE		SCALE	DESIGN UNITS	THIRD ANGLE PROJECTION			
				MM ONLY		2:1	METRIC				
		4 PLACES	±	---	---	DRAWN BY	DATE	TITLE IMPACT 5 PAIR HEADER LEFT GUIDED ASSEMBLY SALES DRAWING <b>molex</b> DOCUMENT NO. SD-76055-002 SHEET NO. 3 OF 3			
		3 PLACES	±	---	---	CHECKED BY	DATE				
2 PLACES	±	0.13	---	APPROVED BY	DATE						
1 PLACE	±	0.25	---	JLAURX	2010/10/15						
0 PLACE	±	---	---	MATERIAL NO.		DOCUMENT NO.					
ANGULAR ±1/2° DRAFT WHERE APPLICABLE MUST REMAIN WITHIN DIMENSIONS				SEE TABLE							
				SIZE C		THIS DRAWING CONTAINS INFORMATION THAT IS PROPRIETARY TO MOLEX INCORPORATED AND SHOULD NOT BE USED WITHOUT WRITTEN PERMISSION					