

Excellent Integrated System Limited

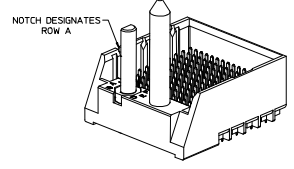
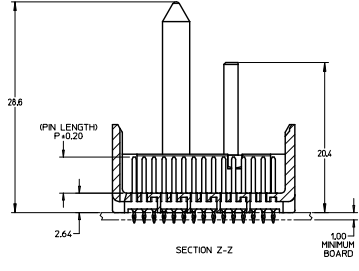
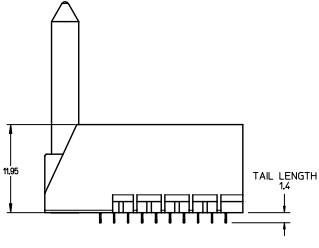
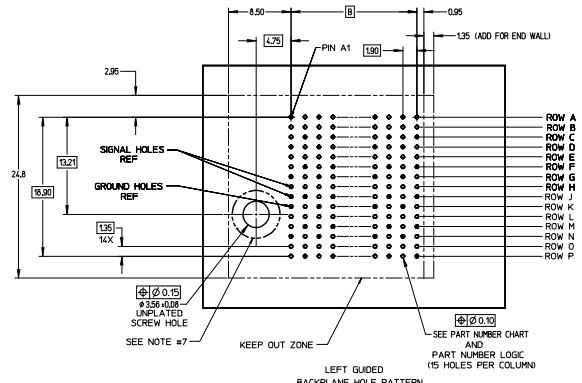
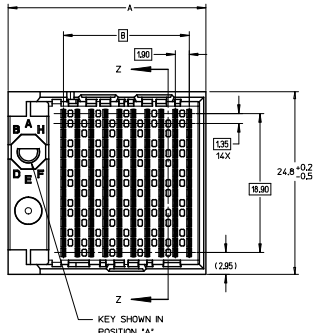
Stocking Distributor

Click to view price, real time Inventory, Delivery & Lifecycle Information:

[Molex Connector Corporation](#)
[0760556108](#)

For any questions, you can email us directly:

sales@integrated-circuit.com



- NOTES:**
1. MATERIALS: HOUSING - LIQUID CRYSTAL POLYMER (LCP) GLASS-FILLED, UL94V-0
 2. TERMINALS - HIGH PERFORMANCE COPPER ALLOY
FINISH 5 MICRONCH MINIMUM GOLD FLASH OVER 20 MICRONCH MINIMUM
Pd-Ni IN CONTACT AREA, SELECTIVE TIN ON PCB TAILS, NICKEL OVERALL.
 3. REFER TO MOLEX PRODUCT SPECIFICATION PS-76060-999 FOR PERFORMANCE SPECIFICATIONS AND ADDITIONAL PCB INFORMATION.
 4. THIS PART CONFORMS TO CLASS B REQUIREMENTS OF MOLEX COSMETIC SPEC PS-45499-002.
 5. PACKAGE PER: PK-70873-759.
 6. SEE SHEETS 2 & 3 FOR PART NUMBERS AND BOARD RELATIONSHIPS.
 7. FOR GROUNDED GUIDE PINS USE DIA. 3.56 +/-0.08 (PTH) DIA. 3.66 (DRILL) AND DIA 6.5 (PAD).
 8. MATES WITH IMPACT DC SERIES NO. 76060.
 9. KEEP OUT ZONE FOR BP HOUSING LENGTH INCLUDES AN ADDITIONAL 10MM TO ACCOMMODATE FOR SPACE REQUIRED BY DC FRONT HOUSING.
 10. REFER TO MOLEX PCB ROUTING GUIDE AS-76060-990 FOR ANTI PAD AND ROUTING RECOMMENDATIONS.
 11. CONNECTORS SUPPLIED WITH A 2-56 UNC-2A SCREW.
 12. THESE DIMENSIONS REPRESENT THE AREA NEEDED TO ACCOMMODATE CONNECTOR INSERTION AND REPAIR ON THE PCB BOARD, THIS IS REFERRED TO AS THE 'CONNECTOR KEEP OUT ZONE' AND DOES NOT REPRESENT THE ACTUAL PERIMETER OF THE CONNECTOR, WHEN LAYING OUT A PCB BOARD FOR CONNECTORS STACK TOGETHER, USE A 1.9mm PROGRESSION.

Pd-Ni
PLATING

INITIAL RELEASE EC NO. UEP27016-2332 DRN:SVANG01 2015/12/09 CHK:MMJLLE 2015/12/09 APPR:SMILLER 2015/12/17 REV:	QUALITY SYMBOLS 4 PLACES ±0 3 PLACES ±0 2 PLACES ±0.13 1 PLACE ±0.25 0 PLACE ±	GENERAL TOLERANCES (UNLESS SPECIFIED) mm INCH ±0.13 ±0.005 ±0.25 ±0.010 ±0.50 ±0.020 ±1.00 ±0.040 ±1.50 ±0.060 ±2.00 ±0.080 ±3.00 ±0.120 ±4.00 ±0.160 ±5.00 ±0.200 ±6.00 ±0.240 ±8.00 ±0.320 ±10.00 ±0.400 ±15.00 ±0.600 ±20.00 ±0.800 ±30.00 ±1.200 ±40.00 ±1.600 ±50.00 ±2.000 ±60.00 ±2.400 ±80.00 ±3.200 ±100.00 ±4.000 ±150.00 ±6.000 ±200.00 ±8.000 ±300.00 ±12.000 ±400.00 ±16.000 ±500.00 ±20.000 ±600.00 ±24.000 ±800.00 ±32.000 ±1000.00 ±40.000	DIMENSION STYLE MM ONLY DRAWN BY SVANG01 CHECKED BY DATE APPROVED BY DATE MATERIAL NO. SEE TABLE DRAFT WHERE APPLICABLE MUST REMAIN WITHIN DIMENSIONS	SCALE 4:1 DESIGN UNITS METRIC THIRD ANGLE PROJECTION TITLE IMPACT 5 PAIR HEADER LEFT GUIDED PDI ASSEMBLY SALES DRAWING molex DOCUMENT NO. RSD-173430-002 SHEET NO. 1 OF 3
	THIS DRAWING CONTAINS INFORMATION THAT IS PROPRIETARY TO MOLEX INCORPORATED AND SHOULD NOT BE USED WITHOUT WRITTEN PERMISSION			SHEET NO. 1 OF 3

PART NUMBER LOGIC

173430-****

MODULE TYPE

- 3 = GUIDE LEFT, TIN
- 7 = GUIDE LEFT END WALL, TIN

PIN LENGTH (P)

- 3 = 4.50 (SHORT COMPLIANT, 0.46±0.05 PTH)
- 4 = 4.90 (SHORT COMPLIANT, 0.46±0.05 PTH)
- 5 = 5.50 (SHORT COMPLIANT, 0.46±0.05 PTH)
- 6 = 4.50 (MICRO COMPLIANT, 0.39±0.05 PTH)
- 7 = 4.90 (MICRO COMPLIANT, 0.39±0.05 PTH)
- 8 = 5.50 (MICRO COMPLIANT, 0.39±0.05 PTH)

OF COLUMNS

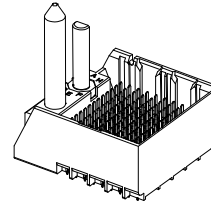
- 1 = 10 COL
- 2 = 12 COL
- 6 = 16 COL
- 7 = 14 COL

KEY ORIENTATION

- 0 = NO KEY
- 1 = A
- 2 = B
- 3 = C
- 4 = D
- 5 = E
- 6 = F
- 7 = G
- 8 = H

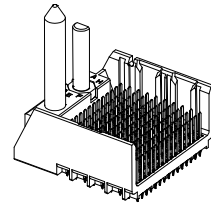
PART NUMBER TABLE

MATERIAL NUMBER	# OF COLUMNS	# OF DIFF PAIR	DIM 'A'	DIM 'B'	
173430-#1**	10	50	26.9	17.10	GUIDE LEFT END WALL OPTION
173430-#2**	12	60	30.7	20.90	
173430-#7**	14	70	34.5	24.70	
173430-#6**	16	80	38.3	28.50	



GUIDE LEFT
END WALL
OPTION

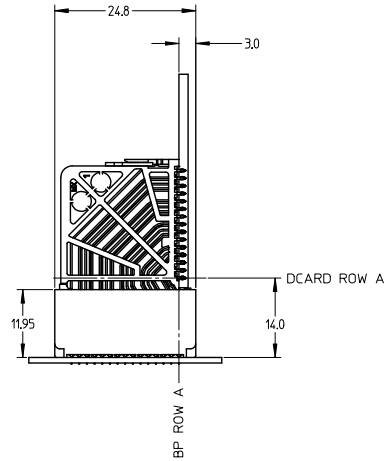
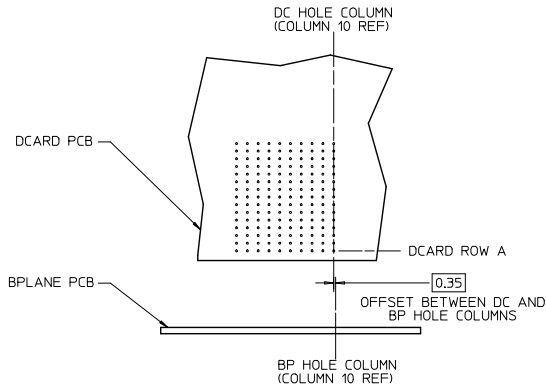
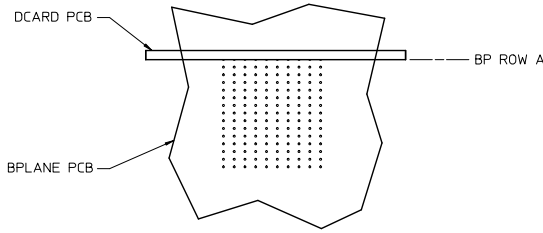
MATERIAL NUMBER	# OF COLUMNS	# OF DIFF PAIR	DIM 'A'	DIM 'B'	
173430-#1**	10	50	25.5	17.10	GUIDE LEFT OPEN WALL OPTION
173430-#2**	12	60	29.3	20.90	
173430-#7**	14	70	33.1	24.70	
173430-#6**	16	80	36.9	28.50	



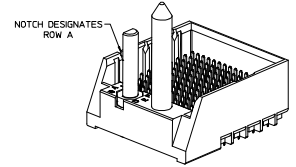
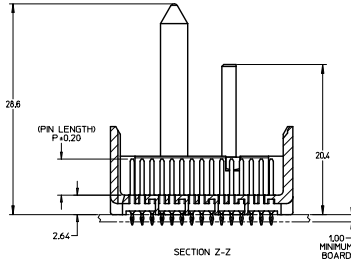
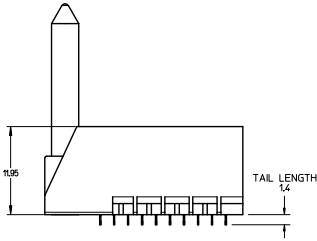
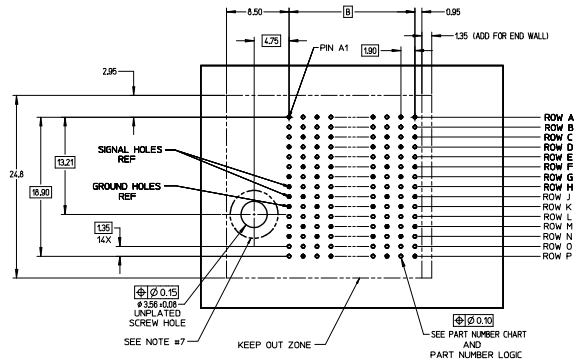
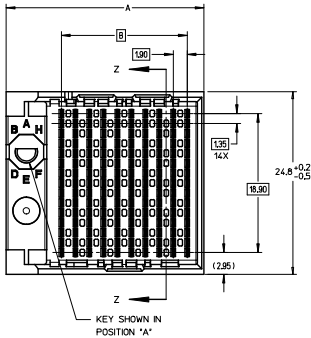
GUIDE LEFT
OPEN WALL
OPTION

SEE SHEET 1 EC NO: UCP2016-2332 DRWNSVANG01 2015/12/09 CHKRMWOLFE 2015/12/09 APPR:SMILLER 2015/12/17	QUALITY SYMBOLS ∇=0 ∇=0 ∇=0	GENERAL TOLERANCES (UNLESS SPECIFIED)		DIMENSION STYLE		SCALE	DESIGN UNITS	THIRD ANGLE PROJECTION	
				MM ONLY		2:1	METRIC		
		4 PLACES	±---	±---	DRAWN BY	DATE	TITLE IMPACT 5 PAIR HEADER LEFT GUIDED PDNI ASSEMBLY SALES DRAWING 		
		3 PLACES	±---	±---	SVANG01	2015/12/09			
2 PLACES	±0.13	±---	CHECKED BY	DATE					
1 PLACE	±0.25	±---	MWOLFE	2015/12/09					
0 PLACE	±	±---	APPROVED BY	DATE					
			SMILLER	2015/12/17					
ANGULAR ±1/2°		MATERIAL NO.		DOCUMENT NO.		SHEET NO.			
DRAFT WHERE APPLICABLE MUST REMAIN WITHIN DIMENSIONS		SEE TABLE		RSD-173430-002		2 OF 3			
THIS DRAWING CONTAINS INFORMATION THAT IS PROPRIETARY TO MOLEX INCORPORATED AND SHOULD NOT BE USED WITHOUT WRITTEN PERMISSION									

IMPACT 5 PAIR
BOARD RELATIONSHIPS



SEE SHEET 1 EC NO: UCP2016-2332 DRWNSVANG01 2015/12/09 CHKRMOLFE 2015/12/09 APPR:SMILLER 2015/12/17	QUALITY SYMBOLS ∇=0 ∇=0 ∇=0	GENERAL TOLERANCES (UNLESS SPECIFIED)		DIMENSION STYLE		SCALE	DESIGN UNITS	THIRD ANGLE PROJECTION		
			mm	INCH	MM ONLY		2:1	METRIC		
		4 PLACES ±	---	---	DRAWN BY	DATE	TITLE IMPACT 5 PAIR HEADER LEFT GUIDED PDNI ASSEMBLY SALES DRAWING molex MATERIAL NO. RSD-173430-002 DOCUMENT NO. SHEET NO. 3 OF 3			
		3 PLACES ±	---	---	CHECKED BY	DATE				
2 PLACES ±	0.13	---	APPROVED BY	DATE						
1 PLACE ±	0.25	---	SMILLER	2015/12/17						
0 PLACE ±	---	---	ANGULAR ±1/2°		SEE TABLE					
DRAFT WHERE APPLICABLE MUST REMAIN WITHIN DIMENSIONS			SIZE C		THIS DRAWING CONTAINS INFORMATION THAT IS PROPRIETARY TO MOLEX INCORPORATED AND SHOULD NOT BE USED WITHOUT WRITTEN PERMISSION					



- NOTES:**
1. MATERIALS: HOUSING - LIQUID CRYSTAL POLYMER (LCP)
GLASS-FILLED, UL94V-0
TERMINALS - HIGH PERFORMANCE COPPER ALLOY
 2. FINISH: 30µM MIN GOLD IN CONTACT AREA,
SELECTIVE TIN ON PCB TAILS,
NICKEL OVERALL.
 3. REFER TO MOLEX PRODUCT SPECIFICATION PS-76060-999
FOR PERFORMANCE SPECIFICATIONS AND ADDITIONAL PCB INFORMATION.
 4. THIS PART CONFORMS TO CLASS B REQUIREMENTS OF
MOLEX COSMETIC SPEC PS-45499-002.
 5. PACKAGE PER: PK-70873-759.
 6. SEE SHEETS 2 & 3 FOR PART NUMBERS AND BOARD RELATIONSHIPS.
 7. FOR GROUNDED GUIDE PINS USE DIA. 3.56 +/-0.08 (PTH)
DIA. 3.66 (DRILL) AND DIA. 6.5 (PAD).
 8. MATES WITH IMPACT DC SERIES NO. 76060.
 9. KEEP OUT ZONE FOR BP HOUSING LENGTH INCLUDES AN ADDITIONAL 10MM
TO ACCOMMODATE FOR SPACE REQUIRED BY DC FRONT HOUSING.
 10. REFER TO MOLEX PCB ROUTING GUIDE AS-76060-990 FOR ANTI-PAD AND ROUTING RECOMMENDATIONS.
 11. CONNECTORS SUPPLIED WITH A 2-56 UNC-2A SCREW.
 12. THESE DIMENSIONS REPRESENT THE AREA NEEDED TO ACCOMMODATE CONNECTOR INSERTION
AND REPAIR ON THE PCB BOARD. THIS IS REFERRED TO AS THE "CONNECTOR KEEP OUT ZONE"
AND DOES NOT REPRESENT THE ACTUAL PERIMETER OF THE CONNECTOR. WHEN LAYING OUT
A PCB BOARD FOR CONNECTORS STACK TOGETHER, USE A 1.9mm PROGRESSION.

CONVERT TO LEAD-FREE EC NO. LCP/2013-2078 DRAWN BY: BARBA 2017/11/26 CHECKED BY: INGHAM 2017/12/18 APPROVED BY: SHILLER 2017/12/21 DATE:	QUALITY SYMBOLS 4 PLACES ±0 3 PLACES ±0 2 PLACES ±0.13 1 PLACE ±0.25 0 PLACE ±	GENERAL TOLERANCES (UNLESS SPECIFIED) <table border="1"> <tr> <th></th> <th>mm</th> <th>INCH</th> </tr> <tr> <td>4 PLACES</td> <td>±0.15</td> <td>±0.006</td> </tr> <tr> <td>3 PLACES</td> <td>±0.25</td> <td>±0.010</td> </tr> <tr> <td>2 PLACES</td> <td>±0.38</td> <td>±0.015</td> </tr> <tr> <td>1 PLACE</td> <td>±0.51</td> <td>±0.020</td> </tr> <tr> <td>0 PLACE</td> <td>±0.64</td> <td>±0.025</td> </tr> </table>		mm	INCH	4 PLACES	±0.15	±0.006	3 PLACES	±0.25	±0.010	2 PLACES	±0.38	±0.015	1 PLACE	±0.51	±0.020	0 PLACE	±0.64	±0.025	DIMENSION STYLE MM ONLY DRAWN BY: MSANDBERG CHECKED BY: JLAURX APPROVED BY: JLAURX DATE: 05/24/2007 DATE: 05/24/2007 DATE: 2010/10/15	SCALE: 4:1 DESIGN UNITS: METRIC THIRD ANGLE PROJECTION	TITLE: IMPACT 5 PAIR HEADER LEFT GUIDED ASSEMBLY SALES DRAWING 	DOCUMENT NO: SD-76055-002 SHEET NO: 1 OF 3
		mm	INCH																					
	4 PLACES	±0.15	±0.006																					
	3 PLACES	±0.25	±0.010																					
2 PLACES	±0.38	±0.015																						
1 PLACE	±0.51	±0.020																						
0 PLACE	±0.64	±0.025																						
ANGULAR ±1/2° DRAFT WHERE APPLICABLE MUST REMAIN WITHIN DIMENSIONS	SEE TABLE	THIS DRAWING CONTAINS INFORMATION THAT IS PROPRIETARY TO MOLEX INCORPORATED AND SHOULD NOT BE USED WITHOUT WRITTEN PERMISSION																						

PART NUMBER LOGIC

76055-****

MODULE TYPE

- 3 = GUIDE LEFT, TIN
- 7 = GUIDE LEFT END WALL, TIN

PIN LENGTH (P)

- 3 = 4.50 (SHORT COMPLIANT, 0.46±0.05 PTH)
- 4 = 4.90 (SHORT COMPLIANT, 0.46±0.05 PTH)
- 5 = 5.50 (SHORT COMPLIANT, 0.46±0.05 PTH)
- 6 = 4.50 (MICRO COMPLIANT, 0.39±0.05 PTH)
- 7 = 4.90 (MICRO COMPLIANT, 0.39±0.05 PTH)
- 8 = 5.50 (MICRO COMPLIANT, 0.39±0.05 PTH)

OF COLUMNS

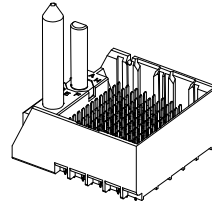
- 1 = 10 COL
- 2 = 12 COL
- 6 = 16 COL
- 7 = 14 COL

KEY ORIENTATION

- 0 = NO KEY
- 1 = A
- 2 = B
- 3 = C
- 4 = D
- 5 = E
- 6 = F
- 7 = G
- 8 = H

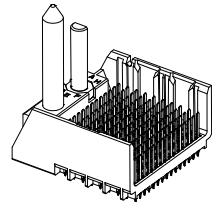
PART NUMBER TABLE

MATERIAL NUMBER	# OF COLUMNS	# OF DIFF PAIR	DIM 'A'	DIM 'B'	
76055- <i>x1**</i>	10	50	26.9	17.10	GUIDE LEFT END WALL OPTION
76055- <i>x2**</i>	12	60	30.7	20.90	
76055- <i>x7**</i>	14	70	34.5	24.70	
76055- <i>x6**</i>	16	80	38.3	28.50	



GUIDE LEFT
END WALL
OPTION

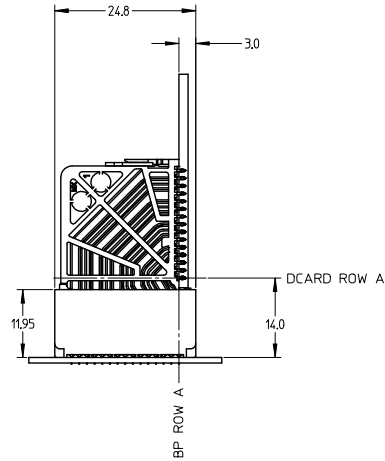
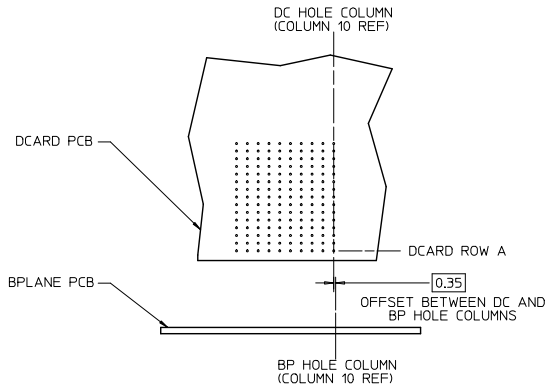
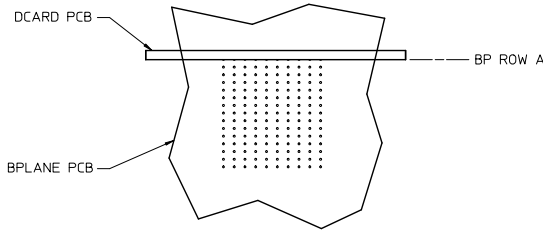
MATERIAL NUMBER	# OF COLUMNS	# OF DIFF PAIR	DIM 'A'	DIM 'B'	
76055- <i>x1**</i>	10	50	25.5	17.10	GUIDE LEFT OPEN WALL OPTION
76055- <i>x2**</i>	12	60	29.3	20.90	
76055- <i>x7**</i>	14	70	33.1	24.70	
76055- <i>x6**</i>	16	80	36.9	28.50	



GUIDE LEFT
OPEN WALL
OPTION

SEE SHEET 1 EC NO: UCP2015-2078 DRAWN: IBARRA 2012/11/26 CHKD: BI INGRAM 2012/12/18 APPR: SMILLER 2012/12/21	QUALITY SYMBOLS ∇=0 ∇=0 ∇=0	DESCRIPTION	GENERAL TOLERANCES (UNLESS SPECIFIED)		DIMENSION STYLE MM ONLY		SCALE 2:1	DESIGN UNITS METRIC	THIRD ANGLE PROJECTION		
					DRAWN BY MSANDBERG		DATE 05/24/2007		TITLE IMPACT 5 PAIR HEADER LEFT GUIDED ASSEMBLY SALES DRAWING molex DOCUMENT NO. SD-76055-002 SHEET NO. 2 OF 3		
					CHECKED BY JLAURX		DATE 05/24/2007				
					APPROVED BY JLAURX		DATE 2010/10/15				
		MATERIAL NO.		DOCUMENT NO.							
ANGLAR ±1/2° DRAFT WHERE APPLICABLE MUST REMAIN WITHIN DIMENSIONS			SEE TABLE		SIZE		THIS DRAWING CONTAINS INFORMATION THAT IS PROPRIETARY TO MOLEX INCORPORATED AND SHOULD NOT BE USED WITHOUT WRITTEN PERMISSION				

IMPACT 5 PAIR
BOARD RELATIONSHIPS



SEE SHEET 1 EC NO: UCP2013-2078 DRAWN BY: BARRA 2012/11/28 CHECKED BY: INGHAM 2012/12/18 APPROVED BY: MILLER 2012/12/31	QUALITY SYMBOLS ∇=0 ∇=0 ∇=0	GENERAL TOLERANCES (UNLESS SPECIFIED)		DIMENSION STYLE MM ONLY		SCALE 2:1	DESIGN UNITS METRIC	THIRD ANGLE PROJECTION
		4 PLACES ± --- ± --- 3 PLACES ± --- ± --- 2 PLACES ± 0.13 ± --- 1 PLACE ± 0.25 ± --- 0 PLACE ± ±	mm INCH --- --- --- --- --- --- --- --- --- ---	DRAWN BY MSANDBERG	DATE 05/24/2007	TITLE IMPACT 5 PAIR HEADER LEFT GUIDED ASSEMBLY SALES DRAWING		molex
ANGULAR ± 1/2° DRAFT WHERE APPLICABLE MUST REMAIN WITHIN DIMENSIONS	MATERIAL NO. SEE TABLE	DOCUMENT NO. SD-76055-002	SHEET NO. 3 OF 3		THIS DRAWING CONTAINS INFORMATION THAT IS PROPRIETARY TO MOLEX INCORPORATED AND SHOULD NOT BE USED WITHOUT WRITTEN PERMISSION			