

Excellent Integrated System Limited

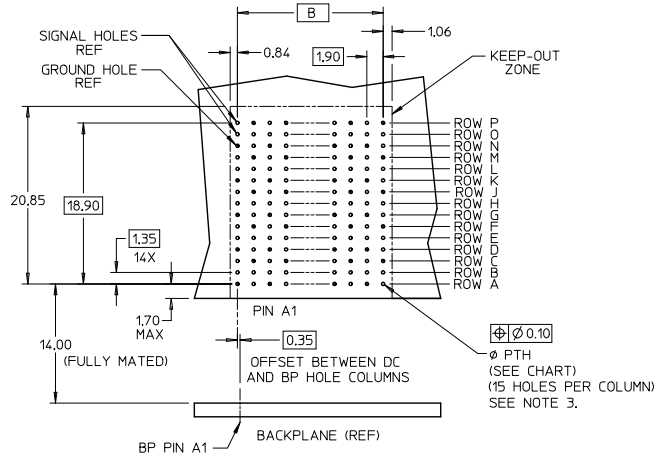
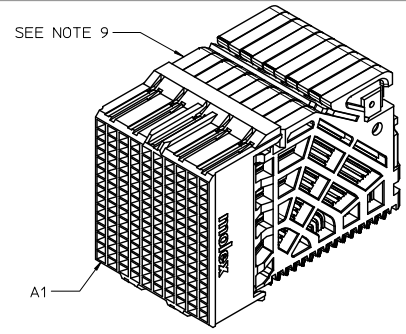
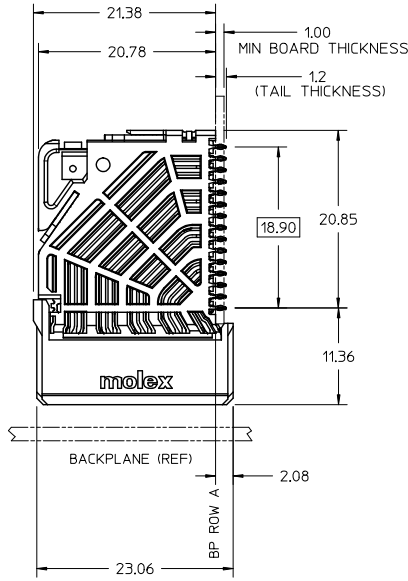
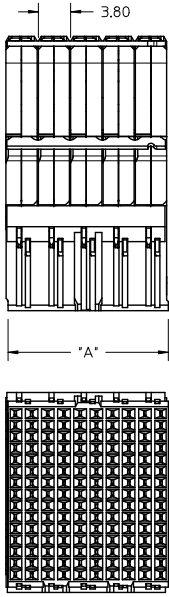
Stocking Distributor

Click to view price, real time Inventory, Delivery & Lifecycle Information:

[Molex Connector Corporation](#)
[0760601020](#)

For any questions, you can email us directly:

sales@integrated-circuit.com



DAUGHTERCARD HOLE PATTERN (CONNECTOR SIDE)

NOTES:

1. MATERIALS: HOUSING - LIQUID CRYSTAL POLYMER (LCP), GLASS-FILLED, UL94V-0
TERMINALS - HIGH PERFORMANCE COPPER ALLOY
2. FINISH: 30μN MIN GOLD IN CONTACT AREA, SELECTIVE TIN ON PCB TAILS, NICKEL OVERALL.
3. REFER TO MOLEX PRODUCT SPEC PS-76060-999 FOR PERFORMANCE SPECIFICATIONS AND ADDITIONAL PCB INFORMATION.
4. EACH SIGNAL WAFER CONTAINS 2 COLUMNS OF TERMINALS.
5. PRODUCT IS PACKAGED PER PK-70873-611.
6. THIS PART CONFORMS TO CLASS B REQUIREMENTS OF COSMETIC SPEC PS-45499-002.
7. REFER TO MOLEX SALES DRAWING SD-76055-001 FOR THE MATING HEADERS.
8. REFER TO MOLEX PCB MOUNTING GUIDE AS-76060-990 FOR ANTIPAD AND ROUTING RECOMMENDATIONS.
9. PART NUMBER 76060-1020 SHOWN ON DRAWING. KEYING FEATURES WILL CHANGE WITH COLUMN SIZE.
10. MINIMUM BOARD THICKNESS IS 1.00 mm FOR COMPLIANT PIN FUNCTIONALITY.

LCP TO ENHANCED EC NO: UCP2015-316 DRAWN: JGONZALEZ01 2015/02/04 CHKD: APPR: TEL0 REV	QUALITY SYMBOLS ▽=0 ▽=0 ▽=0	GENERAL TOLERANCES (UNLESS SPECIFIED)		DIMENSION STYLE MM ONLY		SCALE 3:1	DESIGN UNITS METRIC	THIRD ANGLE PROJECTION
		mm	INCH	DRAWN BY JLAURX	DATE 2008/06/10	TITLE IMPACT 100 OHM DC 5 PAIR SIGNAL MODULE UNGUIDED SALES DRAWING		
		4 PLACES ±	---			CHECKED BY TELO	DATE 2008/06/10	molex
		3 PLACES ±	0.13			APPROVED BY JLAURX	DATE 2009/10/08	
		2 PLACES ±	0.25			MATERIAL NO. SD-76060-001		DOCUMENT NO. SD-76060-001
		1 PLACE ±				SHEET NO. 1 OF 2		
		0 PLACE ±				THIS DRAWING CONTAINS INFORMATION THAT IS PROPRIETARY TO MOLEX INCORPORATED AND SHOULD NOT BE USED WITHOUT WRITTEN PERMISSION		

MATERIAL NUMBER	# OF COLUMNS	# OF DIFF PAIR	DIM 'A' MAX	DIM 'B'	PTH ϕ
76060-*010	10	50	19.00	17.10	0.46 ± 0.05
76060-*012	12	60	22.80	20.90	
76060-*014	14	70	26.60	24.70	
76060-*016	16	80	30.40	28.50	
76060-*020	10	50	19.00	17.10	0.39 ± 0.05
76060-*022	12	60	22.80	20.90	
76060-*024	14	70	26.60	24.70	
76060-*026	16	80	30.40	28.50	

76060-*0**

1 = OPEN LEAD-FREE

- # OF COLUMNS
- 10 = 10 COL 0.46 PTH
 - 12 = 12 COL 0.46 PTH
 - 14 = 14 COL 0.46 PTH
 - 16 = 16 COL 0.46 PTH
 - 20 = 10 COL 0.39 PTH
 - 22 = 12 COL 0.39 PTH
 - 24 = 14 COL 0.39 PTH
 - 26 = 16 COL 0.39 PTH

SEE SHEET 1 IEC NO: UCP2015-3161 DRAWN: JGONZALEZ01 2015/02/04 CHKD: APPR: TELO 2015/02/09 REV	QUALITY SYMBOLS	GENERAL TOLERANCES (UNLESS SPECIFIED)	DIMENSION STYLE	SCALE	DESIGN UNITS	THIRD ANGLE PROJECTION
		mm INCH 4 PLACES \pm --- \pm --- 3 PLACES \pm --- \pm --- 2 PLACES ± 0.13 \pm --- 1 PLACE ± 0.25 \pm --- 0 PLACE \pm \pm	MM ONLY	3:1	METRIC	
	DRAWN BY: JLAURX DATE: 2008/06/10 CHECKED BY: TELO DATE: 2008/06/10 APPROVED BY: JLAURX DATE: 2009/10/08	TITLE: IMPACT 100 OHM DC 5 PAIR SIGNAL MODULE UNGUIDED SALES DRAWING				MATERIAL NO. DOCUMENT NO. SHEET NO. SEE CHART SD-76060-001 2 OF 2
	ANGULAR $\pm 1/2^\circ$ DRAFT WHERE APPLICABLE MUST REMAIN WITHIN DIMENSIONS		THIS DRAWING CONTAINS INFORMATION THAT IS PROPRIETARY TO MOLEX INCORPORATED AND SHOULD NOT BE USED WITHOUT WRITTEN PERMISSION			