

## Excellent Integrated System Limited

Stocking Distributor

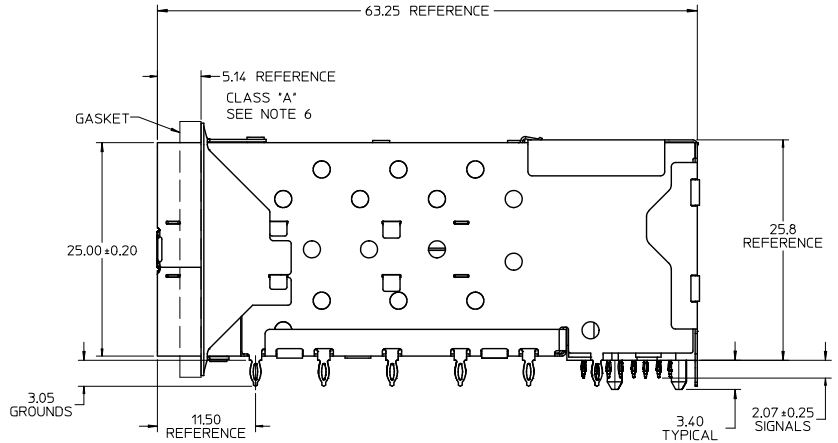
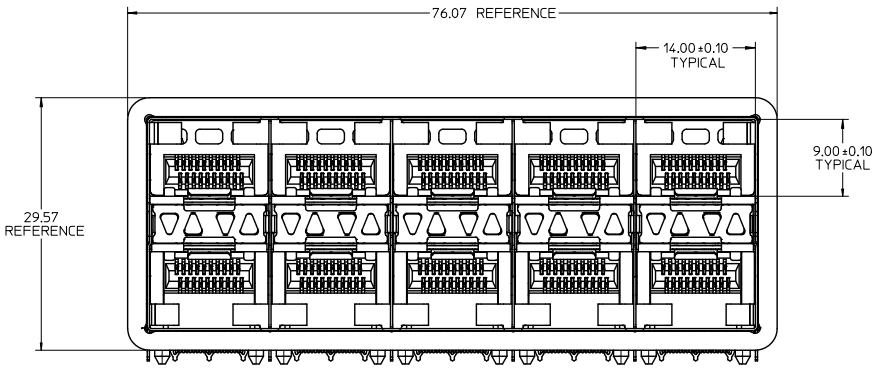
Click to view price, real time Inventory, Delivery & Lifecycle Information:

[Molex Connector Corporation](#)  
[0760935003](#)

For any questions, you can email us directly:

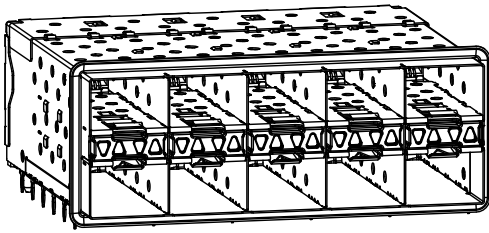
[sales@integrated-circuit.com](mailto:sales@integrated-circuit.com)

PART NUMBER	DESCRIPTION	VIEW	COMPLIANT TAIL PLATING
	4 LIGHT PORTS	SEE PG 2	TIN / LEAD
	INNER 2 PORTS	SEE PG 2	TIN / LEAD
	OUTER 2 PORTS	SEE PG 2	TIN / LEAD
	4 LIGHT PORTS	SEE PG 2	TIN
	INNER 2 PORTS	SEE PG 2	TIN
760937003	OUTER 2 PORTS	SEE PG 2	TIN

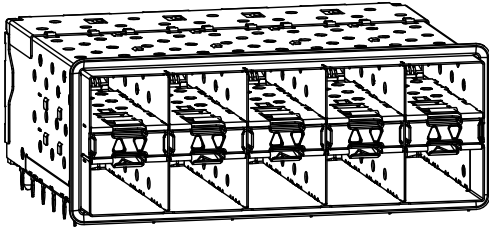


- NOTES:
- MATERIAL:
    - CAGE: NICKEL SILVER, THICKNESS: 0.25mm
    - GASKET FLANGE: STAINLESS STEEL
    - EMI GASKET: CONDUCTIVE POLYMER
    - CONNECTOR HOUSING: GLASS FILLED LIQUID CRYSTAL POLYMER (LCP). UL 94V-0. COLOR: BLACK
    - OVERMOLD TERMINAL HOUSING: GLASS FILLED LIQUID CRYSTAL POLYMER (LCP). UL 94V-0. COLOR: BLACK
    - TERMINALS: BRASS
    - LIGHT PIPE HOUSING: ZINC
  - FINISH
    - TERMINALS: CONTACT AREA: 0.76 MICROMETERS MINIMUM HARD GOLD OVER 1.27 MICROMETERS MINIMUM NICKEL.
    - COMPLIANT TAIL - TIN/LEAD VERSION: 0.76 TO 1.52 MICROMETERS 90/10 TIN-LEAD OVER 0.76 TO 1.52 MICROMETERS NICKEL.
    - COMPLIANT TAIL - TIN VERSION: 0.76 TO 1.52 MICROMETERS 90/10 TIN OVER 0.76 TO 1.52 MICROMETERS NICKEL.
    - LIGHT PIPE HOUSING: 150 MICROMETERS MINIMUM NICKEL OVER 150 MICROMETERS MINIMUM COPPER.
  - REFER TO PS-75310-001 PRODUCT SPEC FOR ALL ELECTRICAL, MECHANICAL AND ENVIRONMENTAL SPECIFICATIONS.
  - LIGHT PIPE PAD LAYOUT IS FOR 0805 LOW-PROFILE LED PACKAGE. FOR OTHER RECOMMENDED LAYOUTS REFER TO MOLEX'S REPORT TS-75310-001
  - REFER TO PK-75733-001 FOR ALL PACKAGING SPECIFICATIONS.
  - THE SURFACES CONFORM TO THE MOLEX COSMETIC SPEC PS-45499-002. ALL EXTERIOR SURFACES TO BE CLASS 'B' SURFACE EXCEPT THE UNDERSIDE (CLASS 'C') OF THE CAGE (SIDE TOWARD THE PCB) AND AS OTHERWISE NOTED.

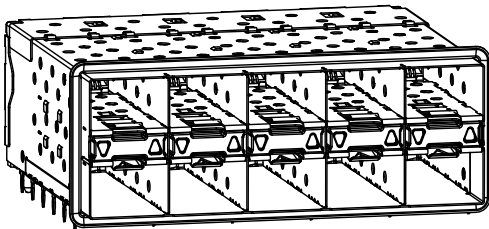
CLIFY CAGE APPROVE EC NO: UCP2011-0874 DRAWN BY: BBARKER CHKD: APPR:SMILLER DATE: 2010/12/13 DATE: 2011/05/02	QUALITY SYMBOLS ▽=0 ▽=0	GENERAL TOLERANCES (UNLESS SPECIFIED)		DIMENSION STYLE MM ONLY		SCALE 3:1	DESIGN UNITS METRIC	THIRD ANGLE PROJECTION		
		4 PLACES ± --- ± ---	3 PLACES ± --- ± ---	2 PLACES ± 0.13 ± ---	1 PLACE ± 0.25 ± ---	DRAWN BY: BBARKER DATE: 2010/09/28	CHECKED BY: BSMART DATE:	TITLE STACKED SFP+ 2X5 ASSY WITH ENHANCED EMI AND ELASTOMERIC GASKET		
		ANGULAR ± 5 °				APPROVED BY: SMILLER DATE: 2011/05/02	MOLEX INCORPORATED			
		DRAFT WHERE APPLICABLE MUST REMAIN WITHIN DIMENSIONS				MATERIAL NO. SEE TABLE	DOCUMENT NO. SD-76093-0002	SHEET NO. 1 OF 4		



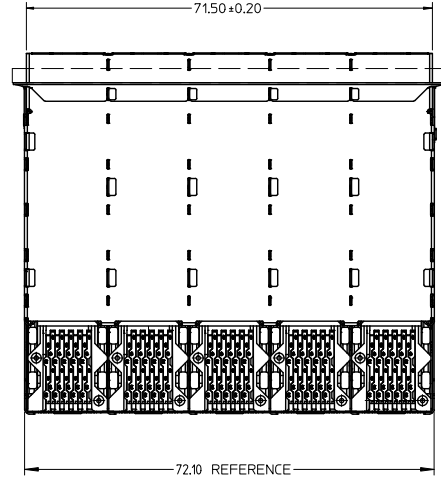
WITH INNER AND OUTER LIGHT PIPES



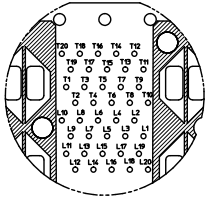
WITH INNER LIGHT PIPES



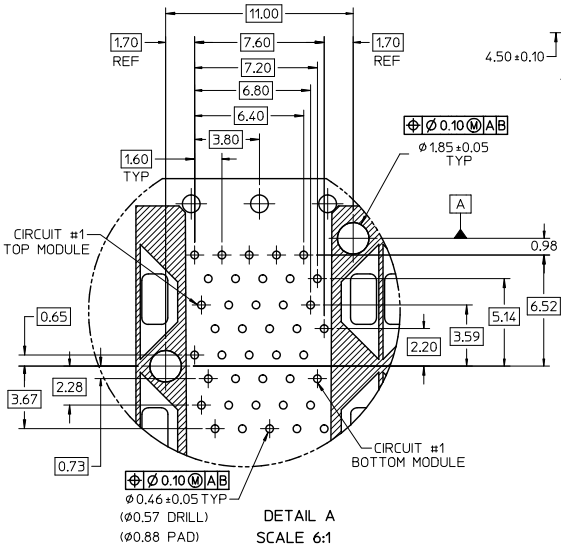
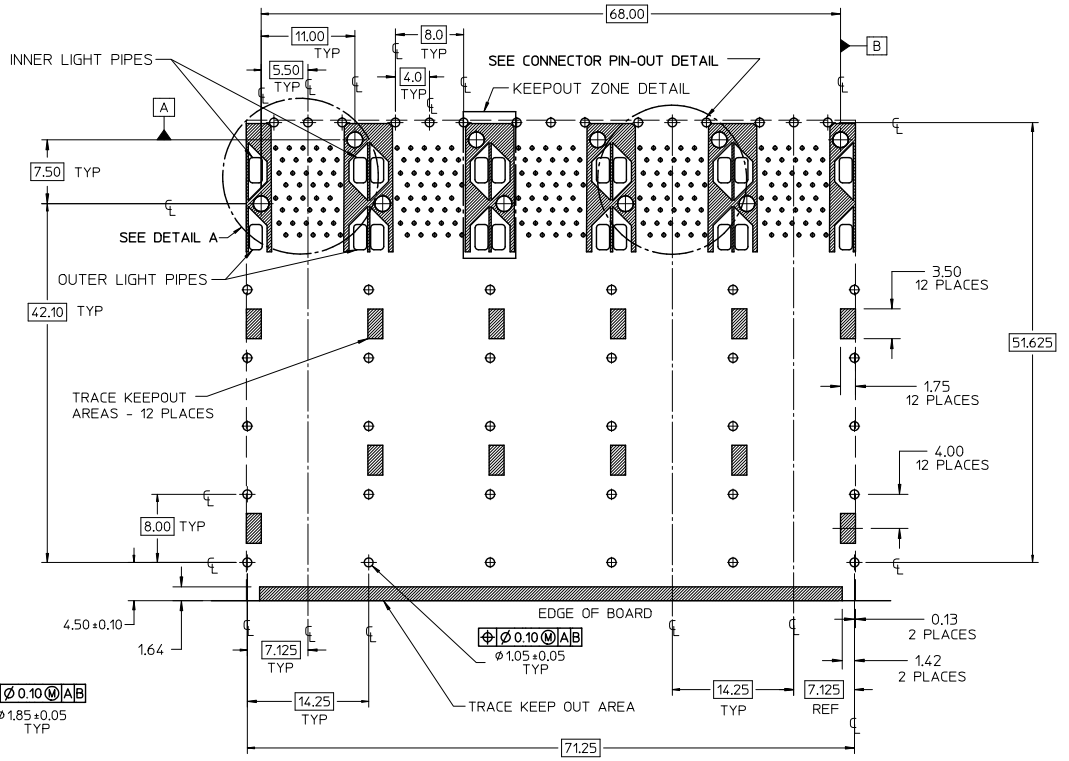
760937003  
WITH OUTER LIGHT PIPES



SEE SHEET 1 EC NO: UCP2011-0874 DRAWN BY: BBARKER 2010/12/13 CHKD: MILLER APPR: MILLER 2011/05/02	QUALITY SYMBOLS ▽=0 ▽=0	GENERAL TOLERANCES (UNLESS SPECIFIED)		DIMENSION STYLE MM ONLY		SCALE 2:1	DESIGN UNITS METRIC	THIRD ANGLE PROJECTION
		mm	INCH	DRAWN BY BBARKER	DATE 2010/09/28	TITLE STACKED SFP+ 2X5 ASS'Y WITH ENHANCED EMI AND ELASTOMERIC GASKET		
		4 PLACES ± ---	± ---	CHECKED BY BSMART	DATE	MOLEX INCORPORATED		
		3 PLACES ± ---	± ---	APPROVED BY MILLER	DATE 2011/05/02	DOCUMENT NO. SD-76093-0002		
		2 PLACES ± 0.13	± ---	MATERIAL NO.		SHEET NO. 2 OF 4		
		1 PLACE ± 0.25	± ---	SIZE C		THIS DRAWING CONTAINS INFORMATION THAT IS PROPRIETARY TO MOLEX INCORPORATED AND SHOULD NOT BE USED WITHOUT WRITTEN PERMISSION		
DRAFT WHERE APPLICABLE MUST REMAIN WITHIN DIMENSIONS		ANGULAR ± 5 °						



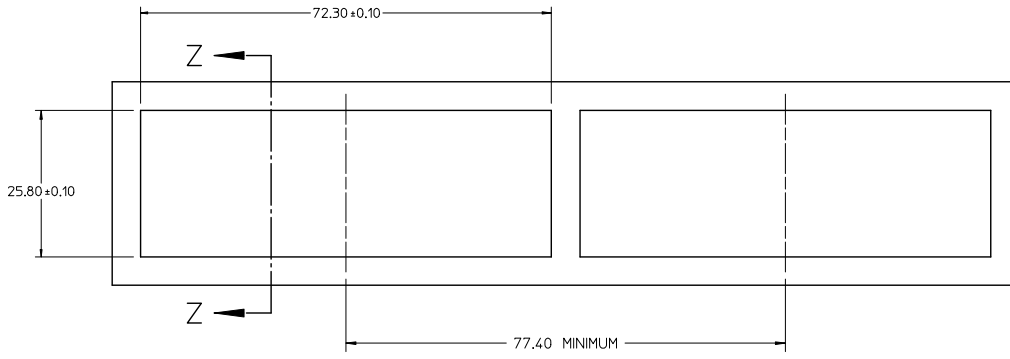
CONNECTOR PIN-OUT DETAIL  
SCALE 4:1



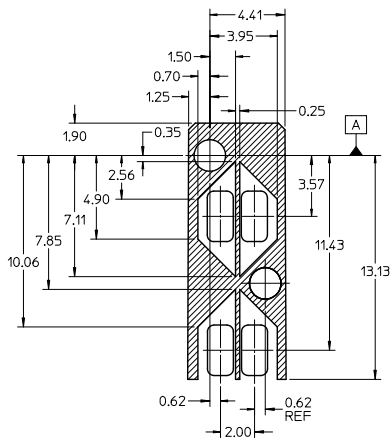
RECOMMENDED PCB LAYOUT - COMPONENT SIDE  
RECOMMENDED PCB THICKNESS - 2.36 MM (.093 INCH)

THE ENTIRE AREA OF THE CONNECTOR FOOTPRINT  
TO BE CONSIDERED THE KEEP OUT AREA FOR COMPONENTS  
THIS AREA IS INDICATED BY THE DASHED LINE

SEE SHEET 1 EC NO: UCP2011-0874 DRAWN BY: BBARKER 2010/12/13 CHKD: SMILLER APPR: SMILLER 2011/05/02 REV: B	QUALITY SYMBOLS ▽=0 ▽=0	GENERAL TOLERANCES (UNLESS SPECIFIED)		DIMENSION STYLE MM ONLY		SCALE 3:1	DESIGN UNITS METRIC	THIRD ANGLE PROJECTION	
		4 PLACES ± --- ± --- 3 PLACES ± --- ± --- 2 PLACES ± 0.13 ± --- 1 PLACE ± 0.25 ± --- ANGULAR ± 5°	mm INCH --- --- --- --- --- --- --- ---	DRAWN BY BBARKER CHECKED BY BSMART APPROVED BY SMILLER MATERIAL NO.	DATE 2010/09/28 DATE DATE 2011/05/02	TITLE STACKED SFP+ 2X5 ASSY WITH ENHANCED EMI AND ELASTOMERIC GASKET	MOLEX INCORPORATED	SHEET NO. 3 OF 4	DOCUMENT NO. SD-76093-0002
DRAFT WHERE APPLICABLE MUST REMAIN WITHIN DIMENSIONS		SEE TABLE		THIS DRAWING CONTAINS INFORMATION THAT IS PROPRIETARY TO MOLEX INCORPORATED AND SHOULD NOT BE USED WITHOUT WRITTEN PERMISSION					

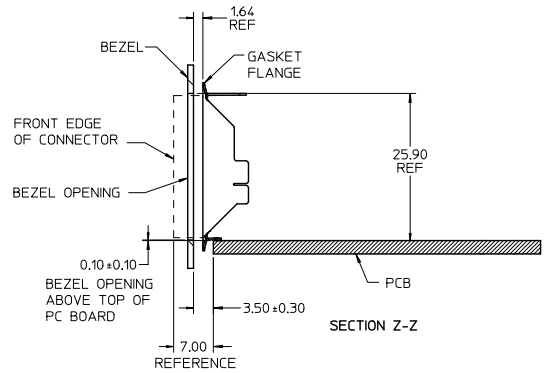


BEZEL CUTOUT CENTER SPACING DETAIL  
BEZEL THICKNESS 0.8 TO 2.6

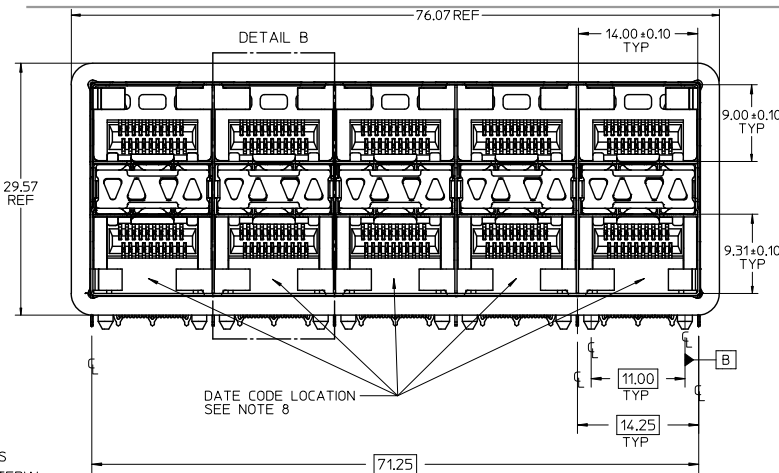


KEEPOUT ZONE DETAIL  
SCALE 6:1

THE HATCHED AREA IN THIS VIEW INDICATES ZONES THAT ARE OCCUPIED BY THE PLASTIC HOUSING THAT SEATS AGAINST THE PCB AND BY THE VERTICAL METAL CAGE WALL THAT STOPS JUST SHORT OF THE PCB

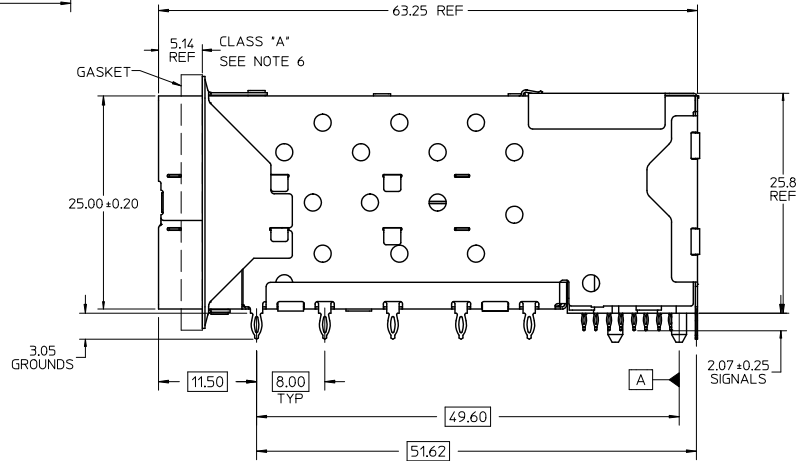


SEE SHEET 1 EC NO: UCP2011-0874 DRAWN BY: BARKER 2010/12/13 CHKD: MILLER APPR: MILLER 2011/05/02	QUALITY SYMBOLS	GENERAL TOLERANCES (UNLESS SPECIFIED)	DIMENSION STYLE	SCALE	DESIGN UNITS	THIRD ANGLE PROJECTION
	▽=0 ▽=0	mm INCH 4 PLACES ± --- ± --- 3 PLACES ± --- ± --- 2 PLACES ± 0.13 ± --- 1 PLACE ± 0.25 ± --- ANGULAR ± 5 °	MM ONLY	2:1	METRIC	
		DRAFT WHERE APPLICABLE MUST REMAIN WITHIN DIMENSIONS	DRAWN BY: BARKER DATE: 2010/09/28 CHECKED BY: SMART DATE: APPROVED BY: MILLER DATE: 2011/05/02	TITLE: STACKED SFP+ 2X5 ASSY WITH ENHANCED EMI AND ELASTOMERIC GASKET MOLEX INCORPORATED		
			MATERIAL NO.: SEE TABLE	DOCUMENT NO.: SD-76093-0002	SHEET NO.: 4 OF 4	

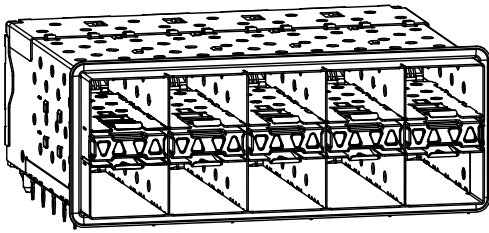


PART NUMBER	DESCRIPTION	VIEW	COMPLIANT TAIL PLATING
760930001	4 LIGHT PORTS	SEE PG 2	MATTE TIN / LEAD
760930002	INNER 2 PORTS	SEE PG 2	MATTE TIN / LEAD
760930003	OUTER 2 PORTS	SEE PG 2	MATTE TIN / LEAD
760935001	4 LIGHT PORTS	SEE PG 2	MATTE TIN
760935002	INNER 2 PORTS	SEE PG 2	MATTE TIN
760935003	OUTER 2 PORTS	SEE PG 2	MATTE TIN

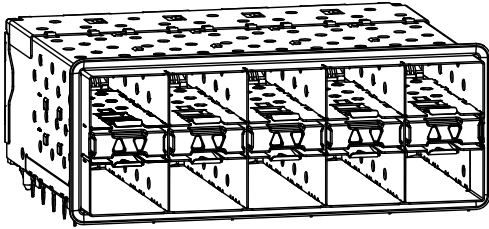
- NOTES
- MATERIAL:
    - CAGE: NICKEL SILVER, THICKNESS: 0.25mm
    - CONNECTOR HOUSING: GLASS FILLED LIQUID CRYSTAL POLYMER (LCP), UL 94V-0, COLOR: BLACK
    - OVERMOLD TERMINAL HOUSING: GLASS FILLED LIQUID CRYSTAL POLYMER (LCP), UL 94V-0, COLOR: BLACK
    - TERMINALS: TIN BRASS
    - EMI GASKET: CONDUCTIVE ELASTOMER
    - LIGHTPIPE HOUSING: ZINC
    - LIGHTPIPER: POLYCARBONATE, COLOR: CLEAR
  - FINISHES:
    - TERMINALS: CONTACT AREA: 0.76 MICROMETERS MINIMUM HARD GOLD OVER 1.27 MICROMETERS MINIMUM NICKEL.
    - COMPLIANT TAIL - MATTE TIN/LEAD OPTION: 0.76 TO 1.52 MICROMETERS 90/10 MATTE TIN-LEAD OVER 0.76 MICROMETERS MINIMUM NICKEL.
    - COMPLIANT TAIL - MATTE TIN OPTION: 0.76 TO 1.52 MICROMETERS MATTE TIN OVER 0.76 MICROMETERS MINIMUM NICKEL.
    - LIGHT PIPE HOUSING: 80 MICROMETERS MINIMUM NICKEL OVER COPPER
  - REFER TO PS-75310-001 PRODUCT SPEC FOR ALL ELECTRICAL, MECHANICAL AND ENVIRONMENTAL SPECIFICATIONS.
  - LIGHT PIPE PAD LAYOUT IS FOR 0805 LOW-PROFILE LED PACKAGE, FOR OTHER RECOMMENDED LAYOUTS REFER TO MOLEX'S REPORT TS-75310-001
  - REFER TO PK-75733-001 FOR ALL PACKAGING SPECIFICATIONS.
  - ALL EXTERIOR SURFACES TO BE CLASS 'B' SURFACES EXCEPT THE UNDER SIDE OF THE CAGE WHERE THE PCB WOULD BE LOCATED AND AS NOTED. THE SURFACES TO CONFORM TO THE MOLEX COSMETIC DOC PS-45499-002.
  - REFER TO AS-76090-001 FOR HIGH SPEED ROUTING RECOMMENDATIONS.
  - DATE CODE LOCATION IS SHOWN ABOVE.
    - DATE CODE FORMAT: DDDY MX A1
    - DDD = DAY OF THE YEAR
    - Y = YEAR
    - MX = MOLEX
    - A = ALPHA CHARACTER - INDICATES MANUFACTURING LINE
    - 1 = NUMERIC CHARACTER - INDICATES PRODUCTION SHIFT



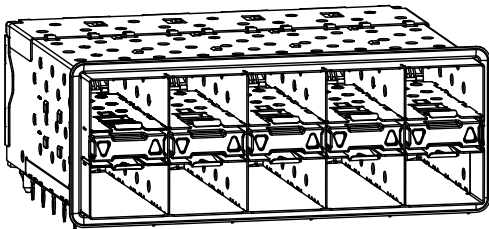
ADD NOTE 7 & 8 EC NO: UCP2011-2594 DRAWN BY: DRINKWILFE 2011/03/07 CHECKED BY: CHKDBANKER 2011/03/07 APPR: SILLER 2011/09/20	QUALITY SYMBOLS ∇=0 ∇=0 ∇=0	GENERAL TOLERANCES (UNLESS SPECIFIED)		DIMENSION STYLE MM ONLY		SCALE 3:1	DESIGN UNITS METRIC	THIRD ANGLE PROJECTION
		4 PLACES ± 0.15 ± 0.006 3 PLACES ± 0.25 ± 0.010 2 PLACES ± 0.38 ± 0.015 1 PLACE ± 0.51 ± 0.020	DRAWN BY JLONG 01-18-2007	TITLE STACKED SFP+ 2X5 ASS'Y WITH ELASTOMERIC GASKET AND LIGHTPIPER				
		ANGULAR ± 5°	CHECKED BY MSANDBERG 01-18-2007	MOLEX INCORPORATED				
		DRAFT WHERE APPLICABLE MUST REMAIN WITHIN DIMENSIONS	APPROVED BY RNELSON 01-18-2007	MATERIAL NO. SEE TABLE	DOCUMENT NO. SD-76093-001	SHEET NO. 1 OF 4		



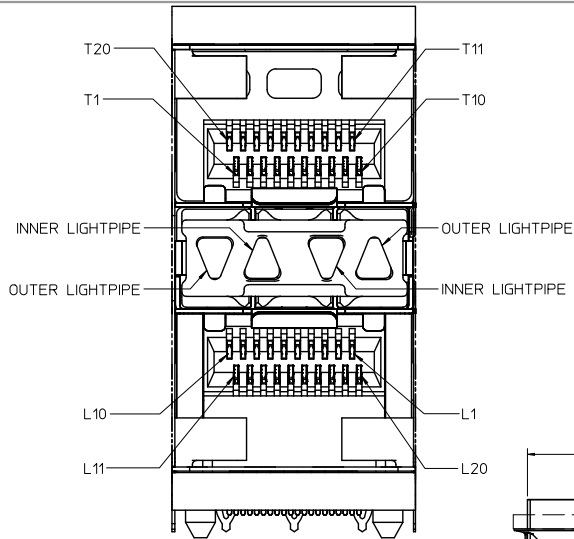
760930001 AND 760935001  
WITH INNER AND OUTERLIGHT PIPES



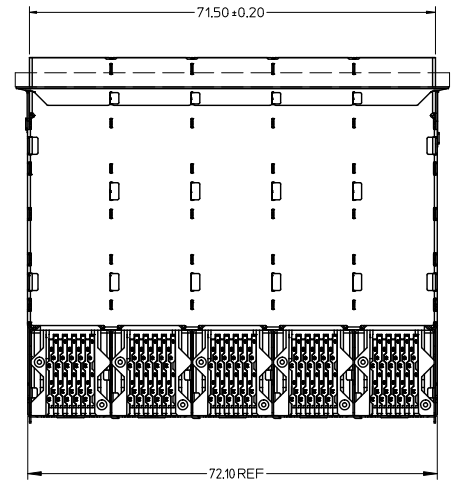
760930002 AND 760935002  
WITH INNER LIGHTPIPES



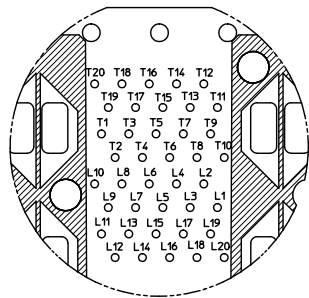
760930003 AND 760935003  
WITH OUTER LIGHTPIPES



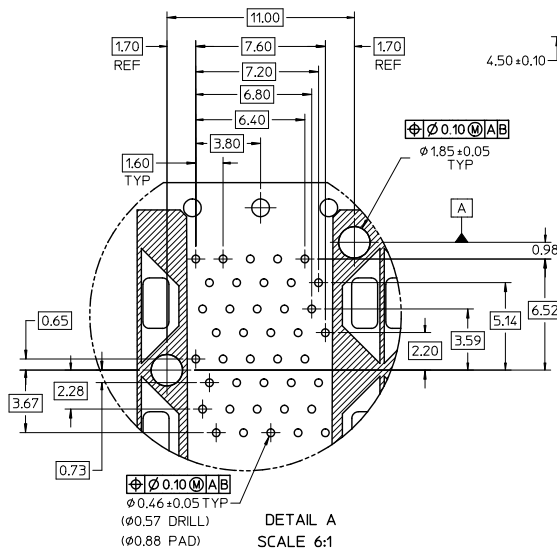
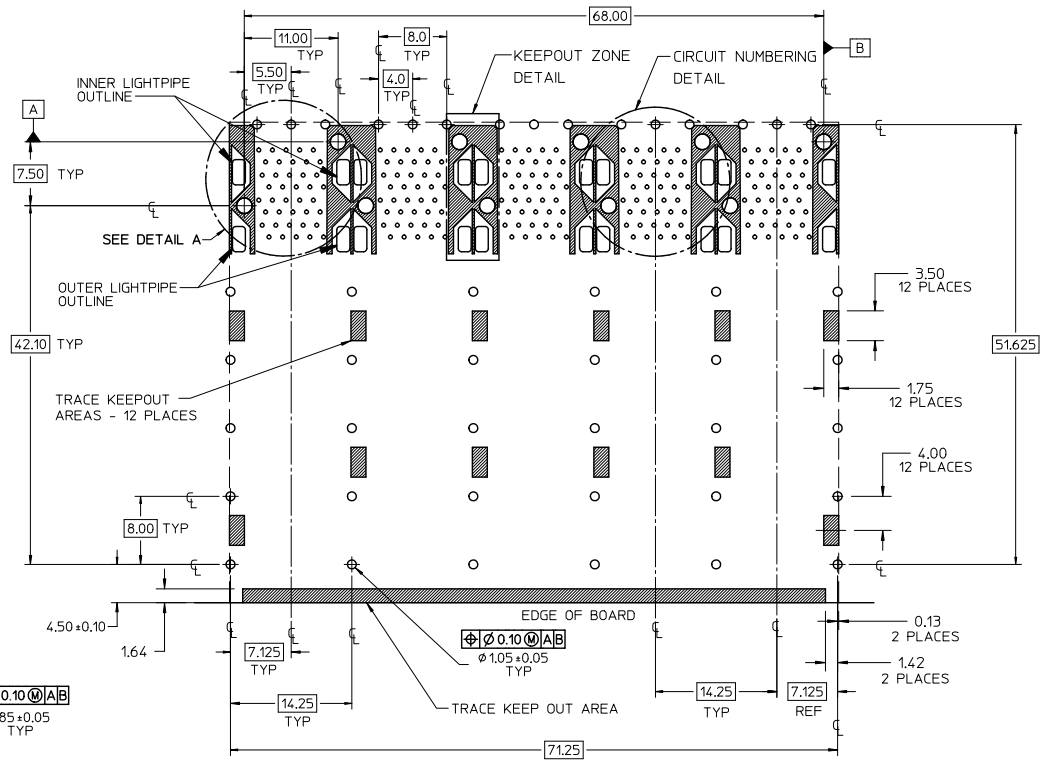
DETAIL B  
SCALE 6:1  
CIRCUIT NUMBERING  
AND LIGHTPIPE  
IDENTIFICATION



<b>ADD DETAIL B</b> EC NO: UCP2011-2594 DRAWN BY: DRW:WMLIFE CHK:CBARKER APPR:SMILLER 2011/03/07 2011/03/07 2011/09/20	QUALITY SYMBOLS ∇=0 ∇=0 ∇=0	GENERAL TOLERANCES (UNLESS SPECIFIED)		DIMENSION STYLE <b>MM ONLY</b>		SCALE 2:1	DESIGN UNITS METRIC	THIRD ANGLE PROJECTION		
		4 PLACES ± --- ± ---	3 PLACES ± --- ± ---	2 PLACES ± 0.13 ± ---	1 PLACE ± 0.25 ± ---	ANGULAR ± 5 °	DRAWN BY: JLONG DATE: 01-18-2007	CHECKED BY: MSANDBERG DATE: 01-18-2007	APPROVED BY: RNELSON DATE: 01-18-2007	TITLE <b>STACKED SFP+ 2X5 ASS'Y WITH ELASTOMERIC GASKET AND LIGHTPIPES</b>
		DRAFT WHERE APPLICABLE MUST REMAIN WITHIN DIMENSIONS		SEE TABLE	MATERIAL NO.		MOLEX INCORPORATED		DOCUMENT NO. SD-76093-001	SHEET NO. 2 OF 4
		THIS DRAWING CONTAINS INFORMATION THAT IS PROPRIETARY TO MOLEX INCORPORATED AND SHOULD NOT BE USED WITHOUT WRITTEN PERMISSION								



CIRCUIT NUMBERING  
COMPONENT SIDE OF BOARD  
SCALE 6:1



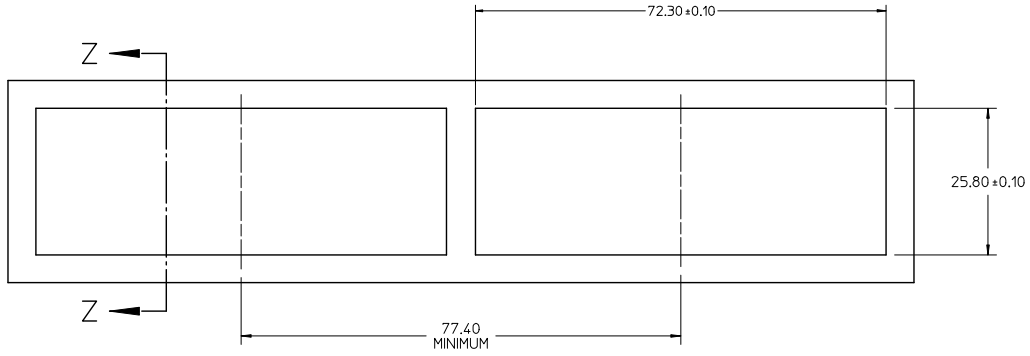
DETAIL A  
SCALE 6:1

RECOMMENDED PCB LAYOUT - COMPONENT SIDE  
RECOMMENDED PCB THICKNESS - 2.36 MM (.093 INCH)

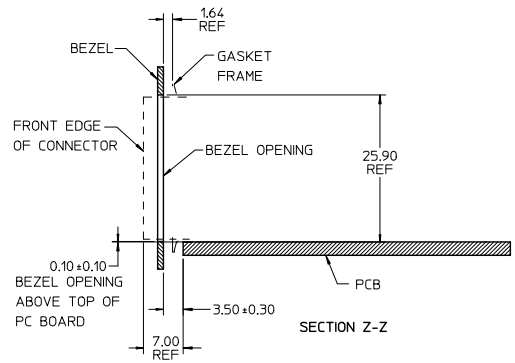
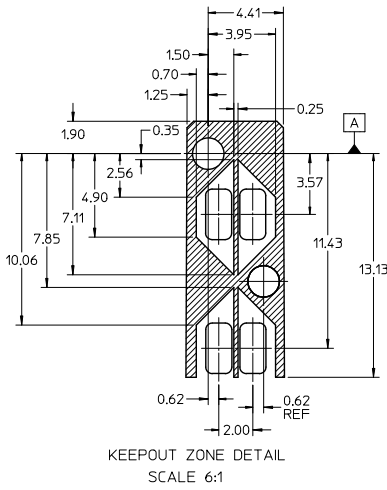
THE ENTIRE AREA OF THE CONNECTOR FOOTPRINT  
TO BE CONSIDERED THE KEEPOUT AREA FOR COMPONENTS  
THIS AREA IS INDICATED BY THE DASHED LINE

CHG DETAIL CALLOUT EC NO: UCP2011-2594 DRAWN BY: JLONG CHECKED BY: MSANDBERG APPROVED BY: RNELSON DATE: 2011/03/07 DATE: 2011/03/07 DATE: 2011/09/20	QUALITY SYMBOLS ▽=0 ▽=0 ▽=0	GENERAL TOLERANCES (UNLESS SPECIFIED)		DIMENSION STYLE MM ONLY		SCALE 3:1	DESIGN UNITS METRIC	THIRD ANGLE PROJECTION			
		4 PLACES ± --- ± ---	3 PLACES ± --- ± ---	2 PLACES ± 0.13 ± ---	1 PLACE ± 0.25 ± ---	DRAWN BY JLONG	DATE 01-18-2007	TITLE STACKED SFP+ 2X5 ASS'Y WITH ELASTOMERIC GASKET AND LIGHTPIPES			
		ANGULAR ± 5°				CHECKED BY MSANDBERG	DATE 01-18-2007	MOLEX INCORPORATED			
		DRAFT WHERE APPLICABLE MUST REMAIN WITHIN DIMENSIONS		SEE TABLE		MATERIAL NO. SEE TABLE	DATE 01-18-2007	DOCUMENT NO. SD-76093-001	SHEET NO. 3 OF 4		





BEZEL CUTOUT CENTER SPACING DETAIL  
BEZEL THICKNESS 0.8-2.6



ADD SECOND BEZEL CUTOUT EC NO: UCP2014-2594 DRAWN BY: 2011/03/07 CHKD BY: 2011/03/07 APPR: MILLER 2011/09/20	QUALITY SYMBOLS	GENERAL TOLERANCES (UNLESS SPECIFIED)	DIMENSION STYLE	SCALE	DESIGN UNITS	THIRD ANGLE PROJECTION
	▽=0	mm INCH	MM ONLY	2:1	METRIC	
	▽=0	4 PLACES ± --- ± ---	DRAWN BY: JLONG	DATE: 01-18-2007	TITLE: STACKED SFP+ 2X5 ASS'Y WITH ELASTOMERIC GASKET AND LIGHTPIPES	
	▽=0	3 PLACES ± --- ± ---	CHECKED BY: MSANDBERG	DATE: 01-18-2007	MATERIAL NO. MOLEX INCORPORATED	SHEET NO. 4 OF 4
	2 PLACES ± 0.13 ± ---	1 PLACE ± 0.25 ± ---	APPROVED BY: RNELSON	DATE: 01-18-2007	DOCUMENT NO. SD-76093-001	
	ANGULAR ± 5 °	DRAFT WHERE APPLICABLE MUST REMAIN WITHIN DIMENSIONS	SEE TABLE	THIS DRAWING CONTAINS INFORMATION THAT IS PROPRIETARY TO MOLEX INCORPORATED AND SHOULD NOT BE USED WITHOUT WRITTEN PERMISSION		