

Excellent Integrated System Limited

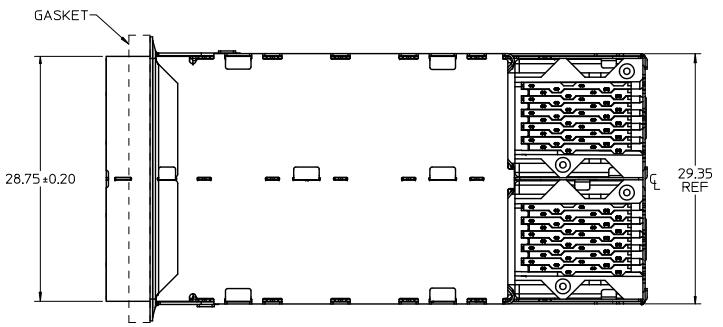
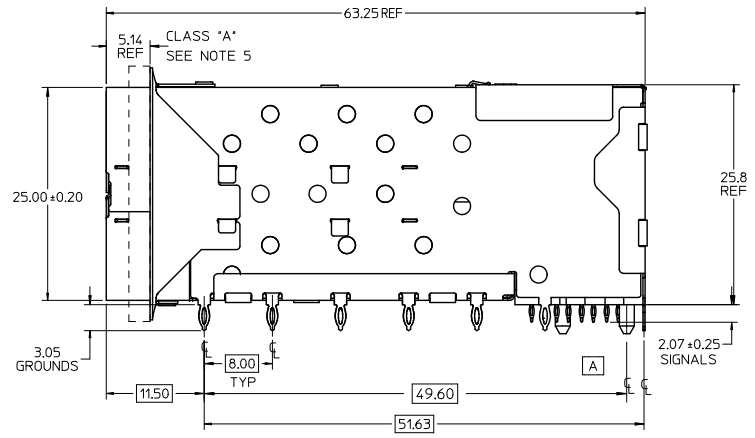
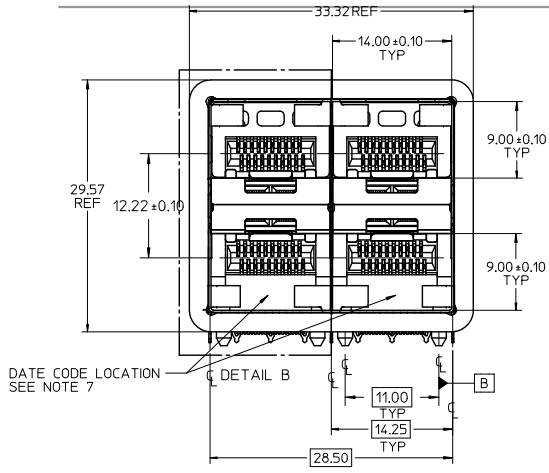
Stocking Distributor

Click to view price, real time Inventory, Delivery & Lifecycle Information:

[Molex Connector Corporation](#)
[0761015001](#)

For any questions, you can email us directly:

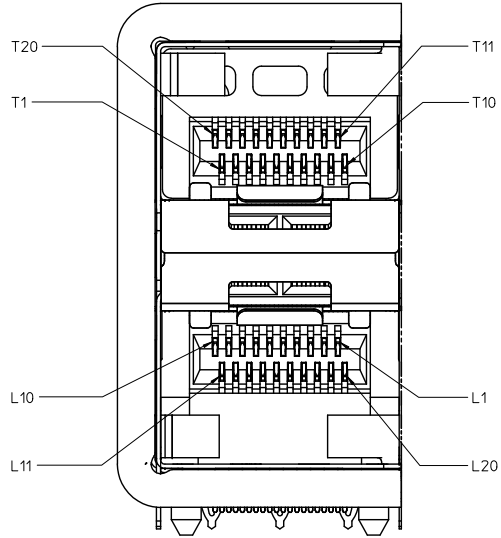
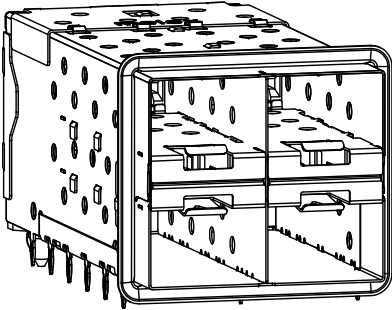
sales@integrated-circuit.com



- NOTES
1. MATERIAL:
 - CAGE: NICKEL SILVER, THICKNESS: 0.25mm
 - CONNECTOR HOUSING: GLASS FILLED LIQUID CRYSTAL POLYMER (LCP), UL 94V-0, COLOR: BLACK
 - OVERMOLD TERMINAL HOUSING: GLASS FILLED LIQUID CRYSTAL POLYMER (LCP), UL 94V-0, COLOR: BLACK
 - TERMINALS: TIN BRASS
 - EMI GASKET: CONDUCTIVE ELASTOMER
 2. FINISHES:
 - TERMINALS: CONTACT AREA: 0.76 MICROMETERS MINIMUM HARD GOLD OVER 1.27 MICROMETERS MINIMUM NICKEL.
 - COMPLIANT TAIL - MATTE TIN/LEAD OPTION: 0.76 TO 1.52 MICROMETERS 90/10 MATTE TIN-LEAD OVER 0.76 MICROMETERS MINIMUM NICKEL.
 - COMPLIANT TAIL - MATTE TIN OPTION: 0.76 TO 1.52 MICROMETERS MATTE TIN OVER 0.76 MICROMETERS MINIMUM NICKEL.
 3. REFER TO PS-75310-001 PRODUCT SPEC FOR ALL ELECTRICAL, MECHANICAL, AND ENVIRONMENTAL SPECIFICATIONS.
 4. REFER TO PK-75714-001 FOR ALL PACKAGING SPECIFICATIONS.
 5. ALL EXTERIOR SURFACES TO BE CLASS 'B' SURFACE EXCEPT THE UNDER SIDE OF THE CAGE WHERE THE PCB WOULD BE LOCATED AND AS NOTED. THE SURFACES TO CONFORM TO THE MOLEX COSMETIC DOC PS-45499-002.
 6. REFER TO AS-76090-001 FOR HIGH SPEED ROUTING RECOMMENDATIONS.
 7. DATE CODE LOCATION IS SHOWN ABOVE.
 - DATE CODE FORMAT: DDDY MX A1
 - DDD = DAY OF THE YEAR
 - Y = YEAR
 - MX = MOLEX
 - A = ALPHA CHARACTER - INDICATES MANUFACTURING LINE
 - 1 = NUMERIC CHARACTER - INDICATES PRODUCTION SHIFT

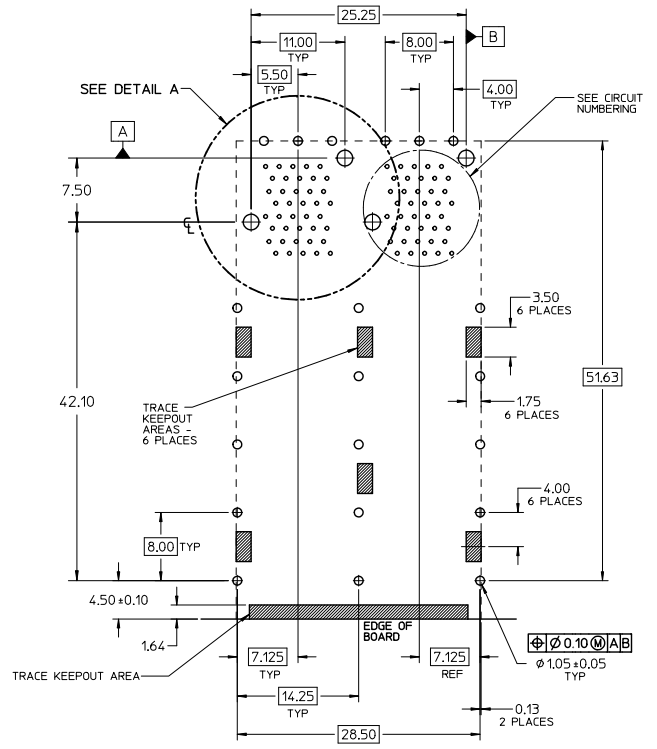
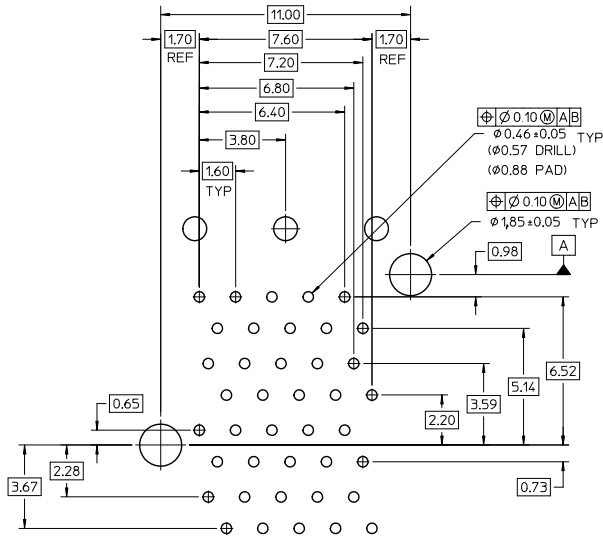
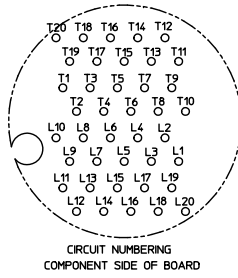
PART NUMBER	COMPLIANT TAIL PLATING
761010001	MATTE TIN / LEAD
761015001	MATTE TIN

ADD NOTE 6 & 7 EC NO: UCPE2011-2594 DRAWING NO: 20110228 CHKD BY: CHK08BANKER APPR: SMILLER 20110912/1	QUALITY SYMBOLS ∇=0 ∇=0 ∇=0	GENERAL TOLERANCES (UNLESS SPECIFIED) mm INCH 4 PLACES ± --- ± --- 3 PLACES ± --- ± --- 2 PLACES ± 0.13 ± --- 1 PLACE ± 0.25 ± --- ANGULAR ± 5 °	DIMENSION STYLE MM ONLY DRAWN BY: JJANTELEZ10 DATE: 01-18-2007 CHECKED BY: MSANDBERG DATE: 01-18-2007 APPROVED BY: RNELSON DATE: 01-18-2007	SCALE: 3:1 DESIGN UNITS: METRIC THIRD ANGLE PROJECTION	TITLE: STACKED SFP+ 2X2 ASS'Y WITH ELASTOMERIC GASKET
		DRAFT WHERE APPLICABLE MUST REMAIN WITHIN DIMENSIONS	MATERIAL NO. SEE TABLE SIZE: C	MOLEX INCORPORATED DOCUMENT NO. SD-76101-001	SHEET NO. 1 OF 4
		THIS DRAWING CONTAINS INFORMATION THAT IS PROPRIETARY TO MOLEX INCORPORATED AND SHOULD NOT BE USED WITHOUT WRITTEN PERMISSION			
		REV:			



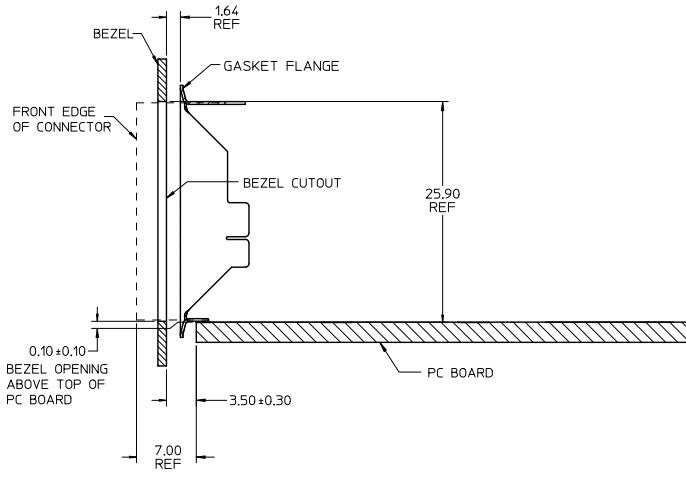
DETAIL B
SCALE 6:1
CIRCUIT
NUMBERING

ADD DETAIL B EC NO: UCP2011-2594 DRAWN BY: DRWIMOLFE CHECKED BY: CHKOBARKER APPROVED BY: APPRSMILLER	2011/02/28 2011/02/28 2011/09/20	QUALITY SYMBOLS ∇=0 ∇=0 ∇=0	GENERAL TOLERANCES (UNLESS SPECIFIED)		DIMENSION STYLE		SCALE	DESIGN UNITS	THIRD ANGLE PROJECTION	
					MM ONLY		3:1	METRIC		
			4 PLACES ± --- ± ---		DRAWN BY DATE		TITLE			
			3 PLACES ± --- ± ---		J JANTELEZIO 01-18-2007		STACKED SFP+ 2X2 ASS'Y WITH ELASTOMERIC GASKET			
2 PLACES ± 0.13 ± ---		CHECKED BY DATE		MOLEX INCORPORATED						
1 PLACE ± 0.25 ± ---		APPROVED BY DATE		MATERIAL NO.		DOCUMENT NO.		SHEET NO.		
ANGULAR ± 5 °		R NELSON 01-18-2007		SEE TABLE		SD-76101-001		2 OF 4		
DRAFT WHERE APPLICABLE MUST REMAIN WITHIN DIMENSIONS			SIZE C		THIS DRAWING CONTAINS INFORMATION THAT IS PROPRIETARY TO MOLEX INCORPORATED AND SHOULD NOT BE USED WITHOUT WRITTEN PERMISSION					

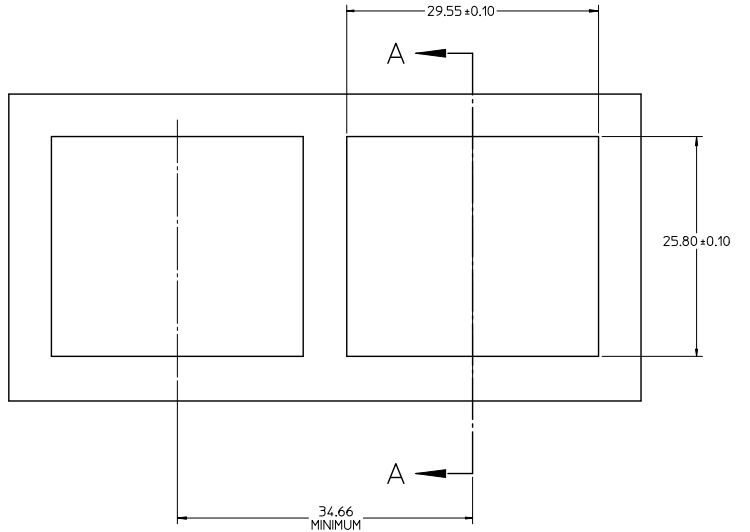


THE ENTIRE AREA OF THE CONNECTOR FOOTPRINT
TO BE CONSIDERED THE KEEP OUT AREA FOR COMPONENTS
THIS AREA IS INDICATED BY THE DASHED LINE

CHG DETAIL CALLOUT EC NO: UCF2011-2594 DRAWN BY: DRW:WOLFE CHK:BARBER APPR:SMILLER DATE: 2011/02/28 DATE: 2011/02/28 DATE: 2011/09/28	QUALITY SYMBOLS ▽=0 ▽=0 ▽=0	GENERAL TOLERANCES (UNLESS SPECIFIED) mm INCH 4 PLACES ± --- ± --- 3 PLACES ± --- ± --- 2 PLACES ± 0.13 ± --- 1 PLACE ± 0.25 ± --- ANGULAR ± 5 °	DIMENSION STYLE MM ONLY DRAWN BY: JJANTELEZ10 CHECKED BY: MSANDBERG APPROVED BY: RNELSON DATE: 01-18-2007 DATE: 01-18-2007 DATE: 01-18-2007	SCALE: 3:1 DESIGN UNITS: METRIC THIRD ANGLE PROJECTION	TITLE: STACKED SFP+ 2X2 ASS'Y WITH ELASTOMERIC GASKET
		DRAFT WHERE APPLICABLE MUST REMAIN WITHIN DIMENSIONS	SEE TABLE	MOLEX INCORPORATED	SHEET NO. 3 OF 4
		MATERIAL NO.	DOCUMENT NO. SD-76101-001	MOLEX INCORPORATED	
		THIS DRAWING CONTAINS INFORMATION THAT IS PROPRIETARY TO MOLEX INCORPORATED AND SHOULD NOT BE USED WITHOUT WRITTEN PERMISSION			



SECTION A-A



BEZEL CUT-OUT CENTER SPACING DETAIL
BEZEL THICKNESS: 0.8 - 2.6

DELETE MIDDLE BEZEL DM EC NO: UCP2011-2594 DRAWN BY: 2011/02/28 CHKDRW: 2011/02/28 APPR: SMILLER 2011/09/20	QUALITY SYMBOLS ∇=0 ∇=0 ∇=0	GENERAL TOLERANCES (UNLESS SPECIFIED)		DIMENSION STYLE		SCALE	DESIGN UNITS	THIRD ANGLE PROJECTION	
		mm	INCH	MM ONLY		3:1	METRIC		
		4 PLACES ± --- ± ---		DRAWN BY	DATE	TITLE			
		3 PLACES ± --- ± ---		JJANTELEZIO	01-18-2007	STACKED SFP+ 2X2 ASS'Y WITH ELASTOMERIC GASKET			
		2 PLACES ± 0.13 ± ---		CHECKED BY	DATE	MOLEX INCORPORATED MOLEX INCORPORATED			
		1 PLACE ± 0.25 ± ---		MSANDBERG	01-18-2007				
		ANGULAR ± 5 °		APPROVED BY	DATE	DOCUMENT NO.		SHEET NO.	
				RNELSON	01-18-2007	SD-76101-001		4 OF 4	
				MATERIAL NO.		SEE TABLE			
				SIZE		THIS DRAWING CONTAINS INFORMATION THAT IS PROPRIETARY TO MOLEX INCORPORATED AND SHOULD NOT BE USED WITHOUT WRITTEN PERMISSION			