

## Excellent Integrated System Limited

Stocking Distributor

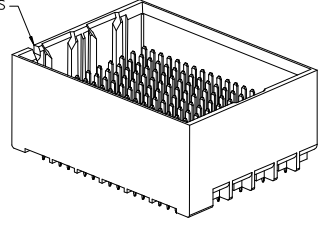
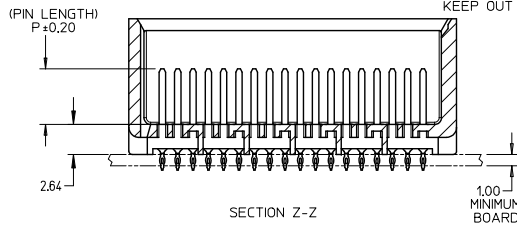
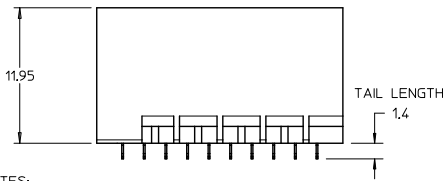
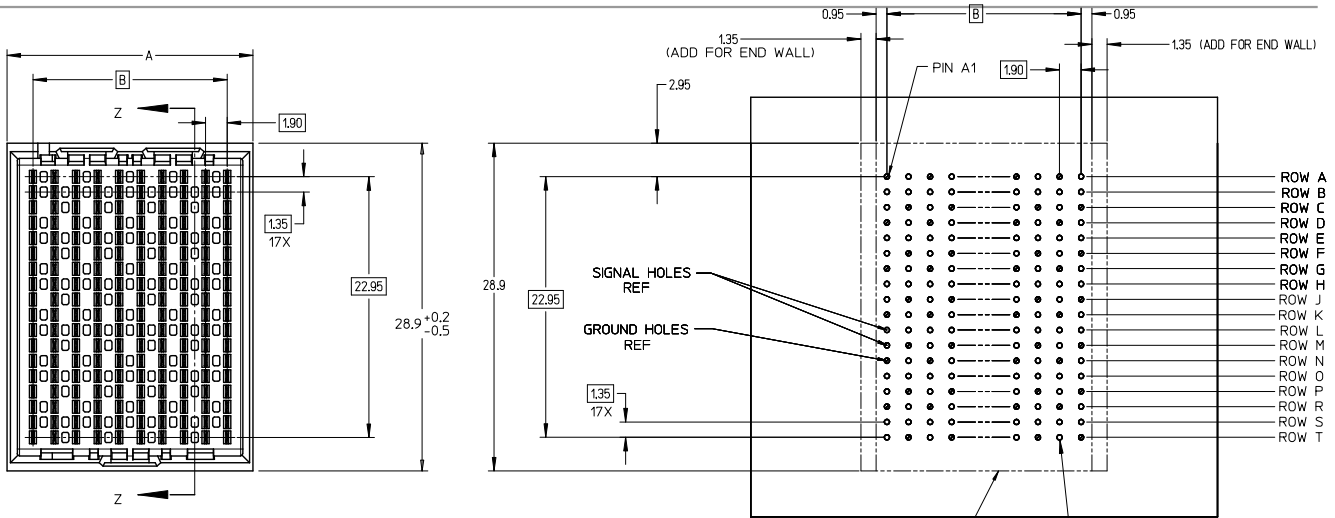
Click to view price, real time Inventory, Delivery & Lifecycle Information:

[Molex Connector Corporation](#)

[0761450138](#)

For any questions, you can email us directly:

[sales@integrated-circuit.com](mailto:sales@integrated-circuit.com)

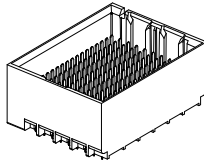


- NOTES:
1. MATERIALS: HOUSING - LIQUID CRYSTAL POLYMER (LCP) GLASS-FILLED, UL94V-0  
TERMINALS - HIGH PERFORMANCE COPPER ALLOY
  2. FINISH: 30µ MIN GOLD IN CONTACT AREA, SELECTIVE TIN ON PCB TAILS, NICKEL OVERALL.
  3. REFER TO MOLEX PRODUCT SPECIFICATION PS-76060-999 FOR PERFORMANCE SPECIFICATIONS AND ADDITIONAL PCB INFORMATION.
  4. THIS PART CONFORMS TO CLASS B REQUIREMENTS OF MOLEX COSMETIC SPEC PS-45499-002.
  5. PARTS PACKAGED PER PK-70873-7703.
  6. SEE SHEETS 2 & 3 FOR PART NUMBERS AND BOARD RELATIONSHIPS.
  7. MATES WITH IMPACT DC SERIES NO. 76150.
  8. REFER TO MOLEX PCB ROUTING GUIDE AS-76060-990 FOR ANTIPAD AND ROUTING RECOMMENDATIONS.
  9. \*THESE DIMENSIONS REPRESENT THE AREA NEEDED TO ACCOMMODATE CONNECTOR INSERTION AND REPAIR ON THE PC BOARD. THIS IS REFERRED TO AS THE 'CONNECTOR KEEP OUT ZONE' AND DOES NOT REPRESENT THE ACTUAL PERIMETER OF THE CONNECTOR. WHEN LAYING OUT A PC BOARD FOR CONNECTORS STACK TOGETHER, USE A 1.9mm PROGRESSION.\*

REVISED (MINOR) IEC NO: UCP2014-0687 DRAWN: B INGRAM 2013/08/25 CHKD: LAURX 2013/08/25 APPR: LAURX 2013/09/25 DESCRIPTION G1 REV	QUALITY SYMBOLS	GENERAL TOLERANCES (UNLESS SPECIFIED)	DIMENSION STYLE MM ONLY	SCALE 4:1	DESIGN UNITS METRIC	THIRD ANGLE PROJECTION	
	∇=0 ∇=0 ∇=0	4 PLACES ± --- ± --- 3 PLACES ± --- ± --- 2 PLACES ± 0.13 ± --- 1 PLACE ± 0.25 ± --- 0 PLACE ± ±	mm INCH DRAWN BY MSANDBERG DATE 2007/12/26 CHECKED BY JLAURX DATE 2007/12/26 APPROVED BY JLAURX DATE 2010/02/22	TITLE	IMPACT 6 PAIR HEADER UNGUIDED ASSEMBLY SALES DRAWING		
	ANGULAR ± 1/2° DRAFT WHERE APPLICABLE MUST REMAIN WITHIN DIMENSIONS	SEE TABLE SIZE C	MATERIAL NO. DOCUMENT NO. SD-76145-001	SHEET NO. 1 OF 3			
	THIS DRAWING CONTAINS INFORMATION THAT IS PROPRIETARY TO MOLEX INCORPORATED AND SHOULD NOT BE USED WITHOUT WRITTEN PERMISSION						

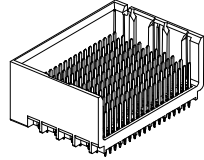
PART NUMBER TABLE

MATERIAL NUMBER	# OF COLUMNS	# OF DIFF PAIR	DIM 'A'	DIM 'B'	DUAL END WALL OPTION
76145-12*	10	60	21,7	17,10	
76145-172*	14	84	29,3	24,70	
76145-162*	16	96	33,1	28,50	



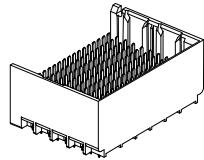
DUAL END  
WALL OPTION

MATERIAL NUMBER	# OF COLUMNS	# OF DIFF PAIR	DIM 'A'	DIM 'B'	LEFT END WALL OPTION
76145-11*	10	60	20,3	17,10	
76145-171*	14	84	27,9	24,70	
76145-161*	16	96	31,7	28,50	



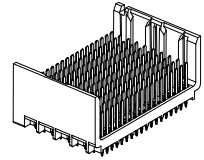
LEFT END  
WALL OPTION

MATERIAL NUMBER	# OF COLUMNS	# OF DIFF PAIR	DIM 'A'	DIM 'B'	RIGHT END WALL OPTION
76145-13*	10	60	20,3	17,10	
76145-173*	14	84	27,9	24,70	
76145-163*	16	96	31,7	28,50	



RIGHT END  
WALL OPTION

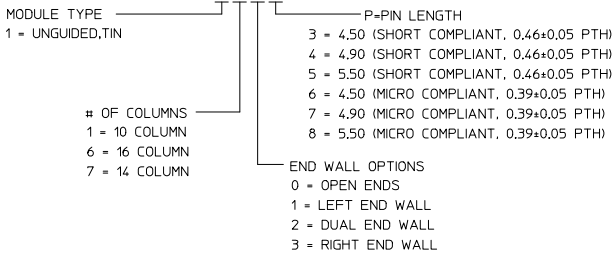
MATERIAL NUMBER	# OF COLUMNS	# OF DIFF PAIR	DIM 'A'	DIM 'B'	OPEN WALL OPTION
76145-10*	10	60	18,9	17,10	
76145-170*	14	84	26,5	24,70	
76145-160*	16	96	30,3	28,50	



OPEN  
WALL OPTION

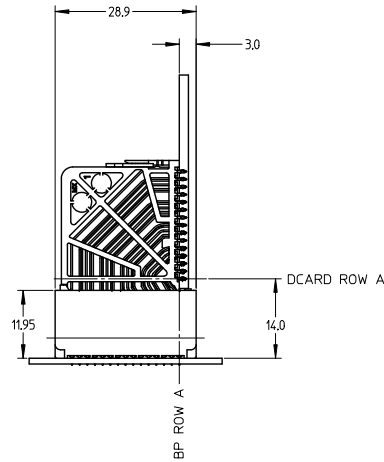
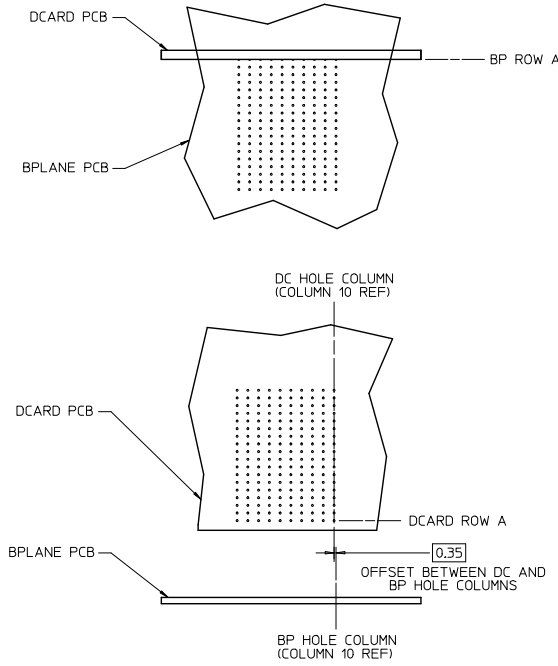
PART NUMBER LOGIC

76145-\*\*\*



SEE SHEET 1 IEC NO: UCP2014-0887 DRAWN BY: JBNHBM 2013/08/25 CHKD: JL AURX 2013/08/25 APPR: JL AURX 2013/09/25 G1 REV	QUALITY SYMBOLS ∇=0 ∇=0 ∇=0	GENERAL TOLERANCES (UNLESS SPECIFIED) <table border="1"> <thead> <tr> <th></th> <th>mm</th> <th>INCH</th> </tr> </thead> <tbody> <tr> <td>4 PLACES</td> <td>±---</td> <td>±---</td> </tr> <tr> <td>3 PLACES</td> <td>±---</td> <td>±---</td> </tr> <tr> <td>2 PLACES</td> <td>±0.13</td> <td>±---</td> </tr> <tr> <td>1 PLACE</td> <td>±0.25</td> <td>±---</td> </tr> <tr> <td>0 PLACE</td> <td>±</td> <td>±</td> </tr> </tbody> </table>		mm	INCH	4 PLACES	±---	±---	3 PLACES	±---	±---	2 PLACES	±0.13	±---	1 PLACE	±0.25	±---	0 PLACE	±	±	DIMENSION STYLE MM ONLY	SCALE 2:1	DESIGN UNITS METRIC	THIRD ANGLE PROJECTION
				mm	INCH																			
			4 PLACES	±---	±---																			
			3 PLACES	±---	±---																			
2 PLACES	±0.13	±---																						
1 PLACE	±0.25	±---																						
0 PLACE	±	±																						
DRAWN BY: MSANDBERG DATE: 2007/12/26 CHECKED BY: JL AURX DATE: 2007/12/26 APPROVED BY: JL AURX DATE: 2010/02/22		TITLE IMPACT 6 PAIR HEADER UNGUIDED ASSEMBLY SALES DRAWING		MATERIAL NO. SD-76145-001 DOCUMENT NO.		SHEET NO. 2 OF 3																		
ANGULAR ±1/2° DRAFT WHERE APPLICABLE MUST REMAIN WITHIN DIMENSIONS		SEE TABLE		THIS DRAWING CONTAINS INFORMATION THAT IS PROPRIETARY TO MOLEX INCORPORATED AND SHOULD NOT BE USED WITHOUT WRITTEN PERMISSION																				
MOLEX																								

IMPACT 6 PAIR  
BOARD RELATIONSHIPS



SEE SHEET 1 EC NO: UCP2014-0887 DRAWN: BINGHAM 2013/08/29 CHKD: LAURX 2013/08/29 APPR: LAURX 2013/09/25	QUALITY SYMBOLS ∇=0 ∇=0 ∇=0	GENERAL TOLERANCES (UNLESS SPECIFIED)		DIMENSION STYLE		SCALE	DESIGN UNITS	THIRD ANGLE PROJECTION	
				MM ONLY		2:1	METRIC		
				DRAWN BY DATE		TITLE			
				MSANDBERG 2007/12/26		IMPACT 6 PAIR HEADER UNGUIDED ASSEMBLY SALES DRAWING			
		CHECKED BY DATE		MATERIAL NO.		DOCUMENT NO.		SHEET NO.	
		JLAURX 2007/12/26		SEE TABLE		SD-76145-001		3 OF 3	
		APPROVED BY DATE		SIZE		THIS DRAWING CONTAINS INFORMATION THAT IS PROPRIETARY TO MOLEX INCORPORATED AND SHOULD NOT BE USED WITHOUT WRITTEN PERMISSION			
		JLAURX 2010/02/22		C					
		ANGULAR ±1/2°							
		DRAFT WHERE APPLICABLE MUST REMAIN WITHIN DIMENSIONS							