

## Excellent Integrated System Limited

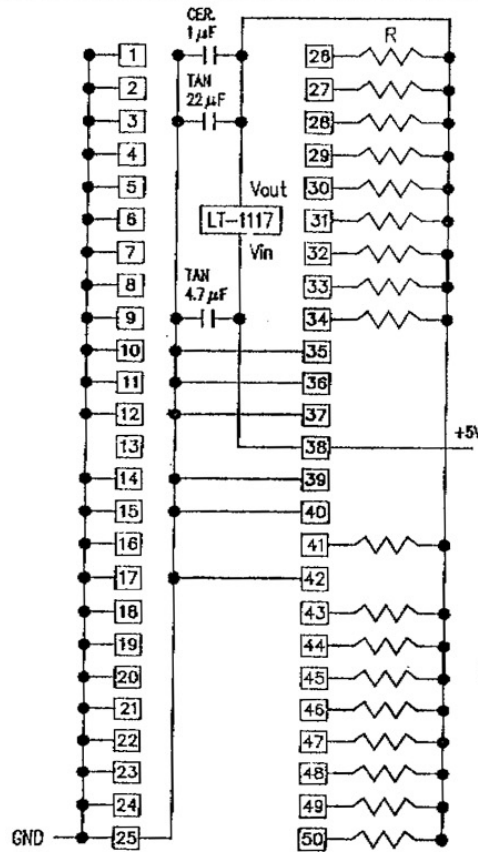
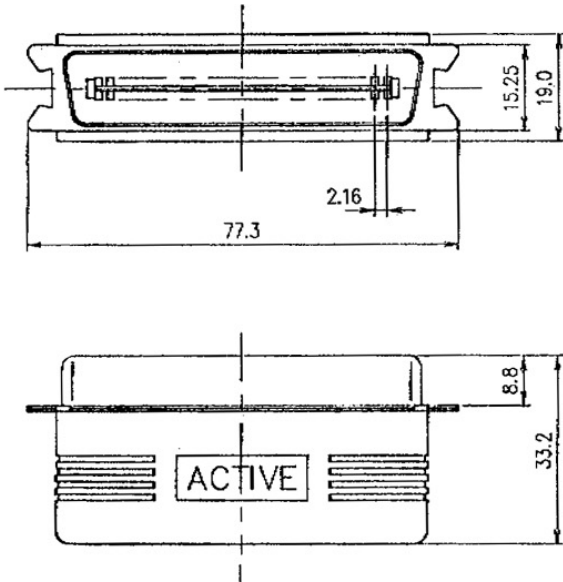
Stocking Distributor

Click to view price, real time Inventory, Delivery & Lifecycle Information:

[ASSMANN WSW Components](#)  
[AB-Y102T](#)

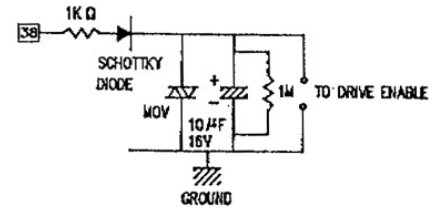
For any questions, you can email us directly:  
[sales@integrated-circuit.com](mailto:sales@integrated-circuit.com)

# SCSI TERMINATOR



- SPECIFICATIONS**
- Contact Material  
Copper Alloy
  - Contact Plating  
Selective Gold  
(mating area with 99% pure hard gold)
  - Insulator Material  
PBT UL 94V-0 Thermoplastic
  - Current Rating  
1 Amp Max.
  - Working Voltage  
30V DC Max.
  - Shield/Housing  
P.V.C. Molded/Ni/Cr Alloy  
Steel 180° EMI Inside Shield

- NOTES**
- \* R : Resistor 110±2%
  - \* LT-1117 : Regulator IC
  - \* CER : Ceramic Capacitor
  - \* TAN : Tantalum



APPROVED	MICHAEL	ASSMANN ELECTRONICS, INC.
CHECKED	JIMMY	P/N : AB-Y102T
DRAWN	MICKY	DES. : C50M ACTIVE