

Excellent Integrated System Limited

Stocking Distributor

Click to view price, real time Inventory, Delivery & Lifecycle Information:

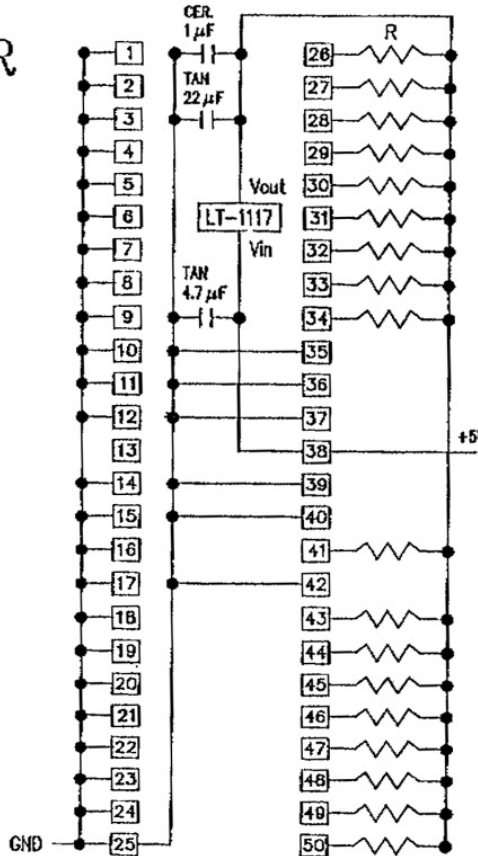
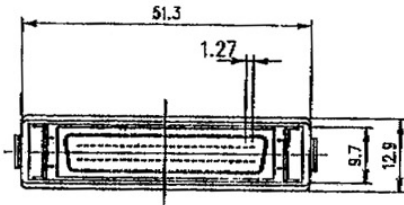
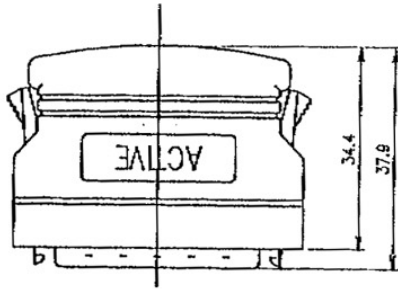
[ASSMANN WSW Components](#)

[AB-Y201L](#)

For any questions, you can email us directly:

sales@integrated-circuit.com

SCSI II TERMINATOR

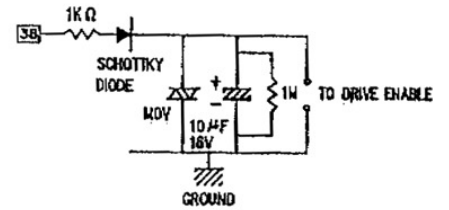


SPECIFICATIONS

1. Contact Material
Copper Alloy
2. Contact Plating
Selective Gold
(mating area with 99% pure hard gold)
3. Insulator Material
PBT UL 94V-0 Thermoplastic
4. Current Rating
1 Amp Max.
5. Working Voltage
30V DC Max.
6. Shield/Housing
P.V.C. Molded/Ni/Cr Alloy
Steel 180° EMI Inside Shield

NOTES

- * R : Resistor 110±2%
- † LT-1117 : Regulator IC
- + CER : Ceramic Capacitor
- † TAN : Tantalum



APPROVED	MICHAEL	ASSMANN ELECTRONICS, INC.
CHECKED	JIMMY	P/N : AB-Y201L
DRAWN	NICKEY	DES. : MD50M ACTIVE