

Excellent Integrated System Limited

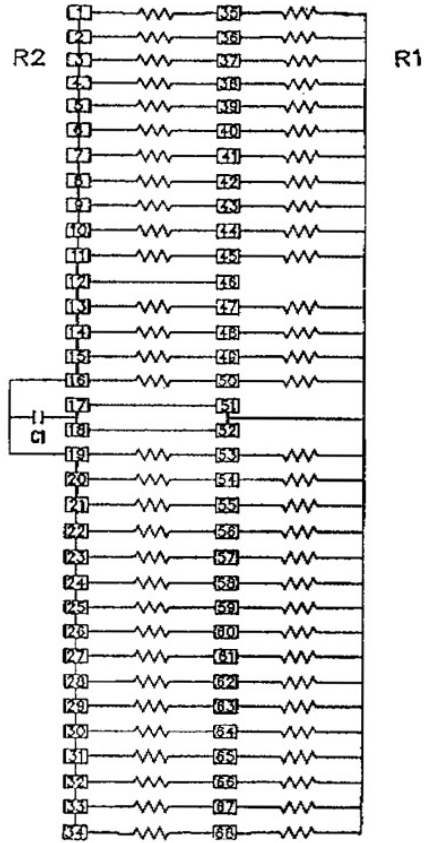
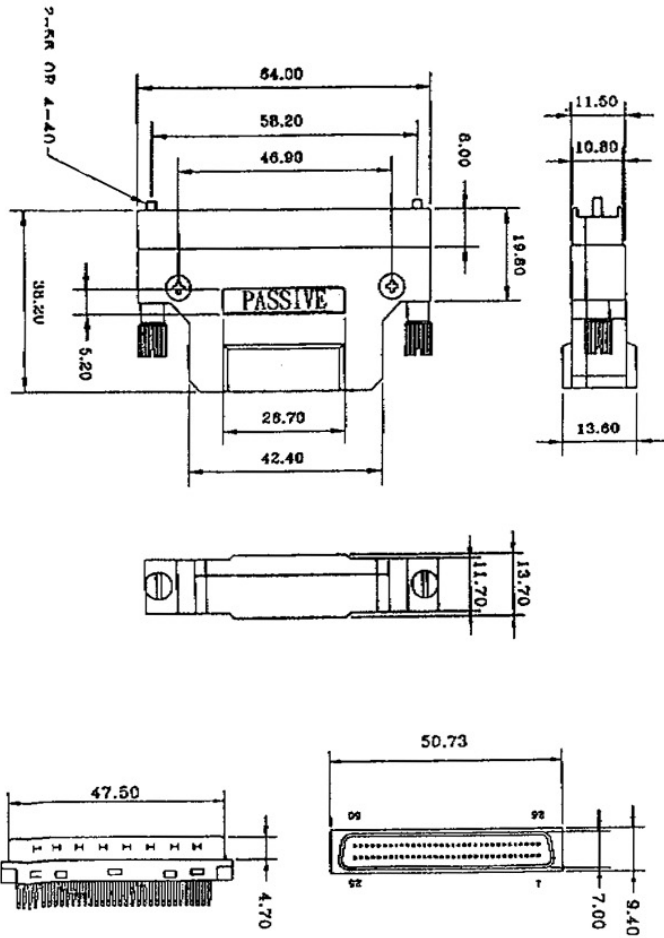
Stocking Distributor

Click to view price, real time Inventory, Delivery & Lifecycle Information:

[ASSMANN WSW Components](#)
[AB-Y315T](#)

For any questions, you can email us directly:
sales@integrated-circuit.com

SCSI III TERMINATOR



- NOTES
- R1 = 16 watt 220Ω±5%
 - R2 = 16 watt 330Ω±5%
 - C1 = 2.2μF +80%
-20%
16V ceramic

APPROVED	MICHAEL	ASSMANN ELECTRONICS, INC.
CHECKED	JIMMY	P/N: AB-Y315T
DRAWN	MICKEY	DES.: MD68M PASSIVE T. SCREW ASS'Y