

## Excellent Integrated System Limited

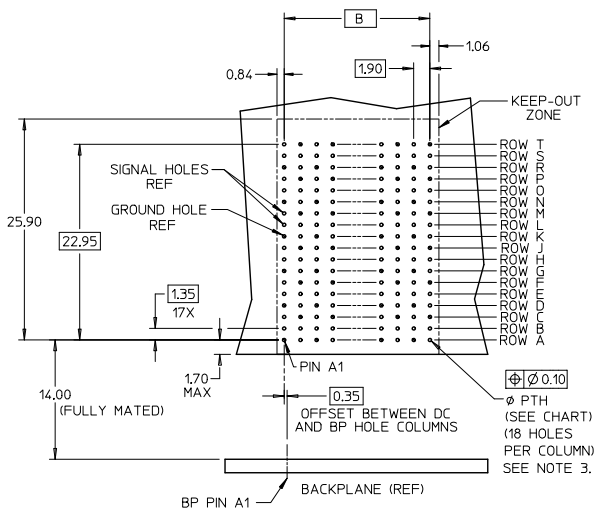
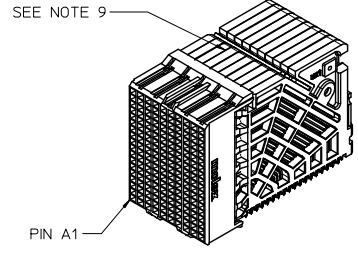
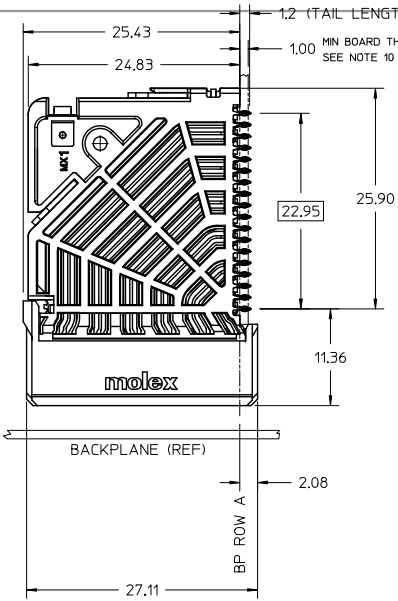
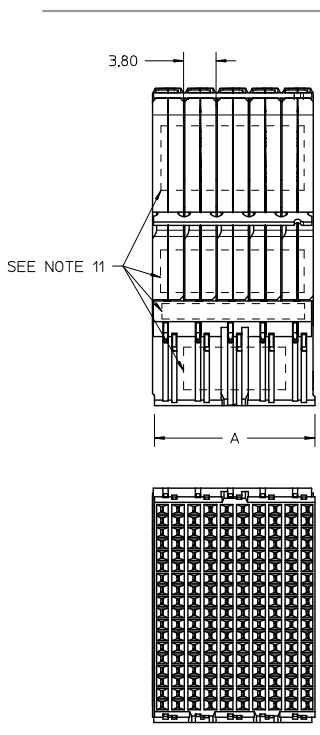
Stocking Distributor

Click to view price, real time Inventory, Delivery & Lifecycle Information:

[Molex Connector Corporation](#)  
[0761501010](#)

For any questions, you can email us directly:

[sales@integrated-circuit.com](mailto:sales@integrated-circuit.com)



- NOTES:
1. MATERIALS: HOUSING - LIQUID CRYSTAL POLYMER (LCP), GLASS-FILLED, UL94V-0 TERMINALS - HIGH PERFORMANCE COPPER ALLOY
  2. FINISH: 30μN MIN GOLD IN CONTACT AREA, SELECTIVE TIN ON PCB TAILS, NICKEL OVERALL.
  3. REFER TO MOLEX PRODUCT SPEC PS-76060-999 FOR PERFORMANCE SPECIFICATIONS AND ADDITIONAL PCB INFORMATION.
  4. EACH SIGNAL WAFER CONTAINS 2 COLUMNS OF TERMINALS.
  5. PRODUCT IS PACKAGED PER PK-70873-589.
  6. THIS PART CONFORMS TO CLASS B REQUIREMENTS OF COSMETIC SPEC PS-45499-002.
  7. REFER TO MOLEX SALES DRAWING SD-76145-001 FOR THE MATING HEADERS AND SD-76460-001 FOR MATING RAM.
  8. REFER TO MOLEX PCB ROUTING GUIDE AS-76060-990 FOR ANTI PAD AND ROUTING RECOMMENDATIONS.
  9. PART NUMBER 76150-1020 SHOWN ON DRAWING. KEYING FEATURES WILL CHANGE WITH COLUMN SIZE.
  10. MINIMUM BOARD THICKNESS IS 1.00 mm FOR COMPLIANT PIN FUNCTIONALITY.
  11. MARKING: LOCATED APPROXIMATELY AS SHOWN. PART NUMBER AND DATE CODE.

DAUGHTERCARD HOLE PATTERN (CONNECTOR SIDE)

<b>ADD LASER MARK INFO</b> EC NO: UCP2016-2564 DRWNG: WARIARA 2015/07/29 CHKD: TELLO APPR: TELLO 2016/01/06 G1	<b>QUALITY SYMBOLS</b> ∇=0 ∇=0 ∇=0	<b>GENERAL TOLERANCES (UNLESS SPECIFIED)</b> 4 PLACES ± --- ± --- 3 PLACES ± --- ± --- 2 PLACES ± 0.13 ± --- 1 PLACE ± 0.25 ± --- 0 PLACE ± ±	<b>DIMENSION STYLE</b> MM ONLY	SCALE 3:1 DESIGN UNITS METRIC THIRD ANGLE PROJECTION	TITLE IMPACT 100 OHM DC 6 PAIR SIGNAL MODULE UNGUIDED SALES DRAWING <b>molex</b>	MATERIAL NO. SEE CHART SIZE C	DOCUMENT NO. SD-76150-001	SHEET NO. 1 OF 2	
									ANGLUAR ±1/2°
									DRAFT WHERE APPLICABLE MUST REMAIN WITHIN DIMENSIONS
									THIS DRAWING CONTAINS INFORMATION THAT IS PROPRIETARY TO MOLEX INCORPORATED AND SHOULD NOT BE USED WITHOUT WRITTEN PERMISSION

MATERIAL NUMBER	# OF COLUMNS	# OF DIFF PAIR	DIM 'A' MAX	DIM 'B'	PTH $\phi$
76150-*010	10	60	19.00	17.10	0.46 +0.05
76150-*014	14	84	26.60	24.70	
76150-*016	16	96	30.40	28.50	
76150-*020	10	60	19.00	17.10	0.39 +0.05
76150-*024	14	84	26.60	24.70	
76150-*026	16	96	30.40	28.50	

76150-\*0\*\*

1 = OPEN LEAD-FREE

# OF COLUMNS  
 10 = 10 COL 0.46 PTH  
 14 = 14 COL 0.46 PTH  
 16 = 16 COL 0.46 PTH  
 20 = 10 COL 0.39 PTH  
 24 = 14 COL 0.39 PTH  
 26 = 16 COL 0.39 PTH

SEE SHEET 1 EC NO: UCP2016-2564 DRAWN BY: WARIARA 2015/07/29 CHKD: TELO APPR: TELO 2016/01/06	QUALITY SYMBOLS 	GENERAL TOLERANCES (UNLESS SPECIFIED)		DIMENSION STYLE		SCALE	DESIGN UNITS	THIRD ANGLE PROJECTION			
				MM ONLY		3:1	METRIC				
		4 PLACES	±	---	±	---	DRAWN BY	DATE	TITLE IMPACT 100 OHM DC 6 PAIR SIGNAL MODULE UNGUIDED SALES DRAWING 		
		3 PLACES	±	---	±	---	CHECKED BY	DATE			
2 PLACES	±	0.13	±	---	APPROVED BY	DATE					
1 PLACE	±	0.25	±	---	JLAURX	2008/03/12					
0 PLACE	±		±		ANGULAR ±1/2°		MATERIAL NO.	DOCUMENT NO.	SHEET NO.		
DRAFT WHERE APPLICABLE MUST REMAIN WITHIN DIMENSIONS				SEE CHART		SD-76150-001		2 OF 2			
THIS DRAWING CONTAINS INFORMATION THAT IS PROPRIETARY TO MOLEX INCORPORATED AND SHOULD NOT BE USED WITHOUT WRITTEN PERMISSION											