

## Excellent Integrated System Limited

Stocking Distributor

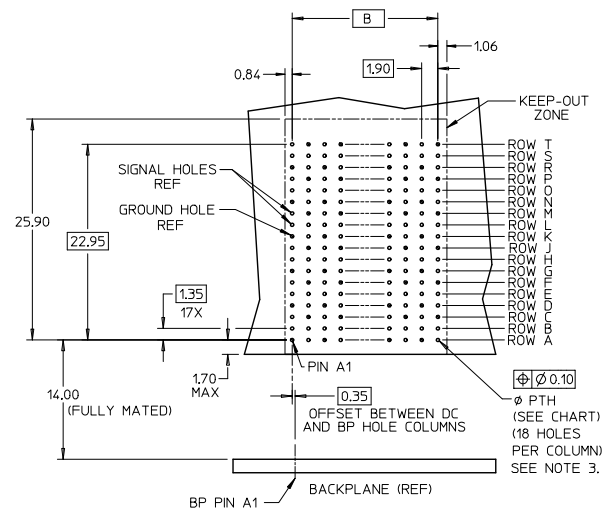
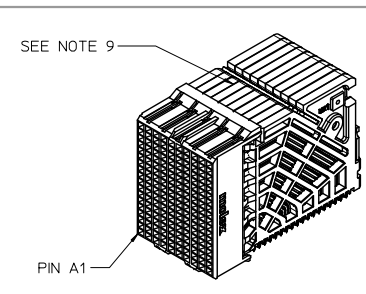
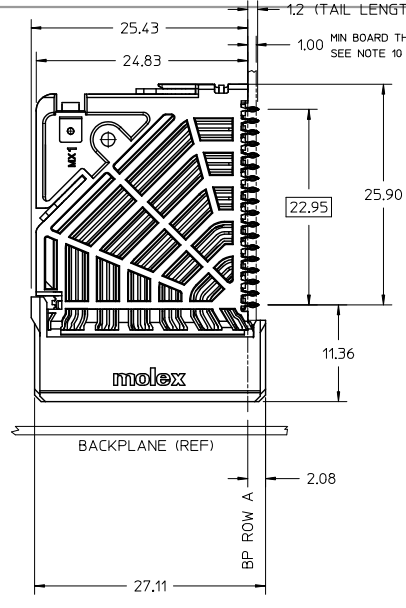
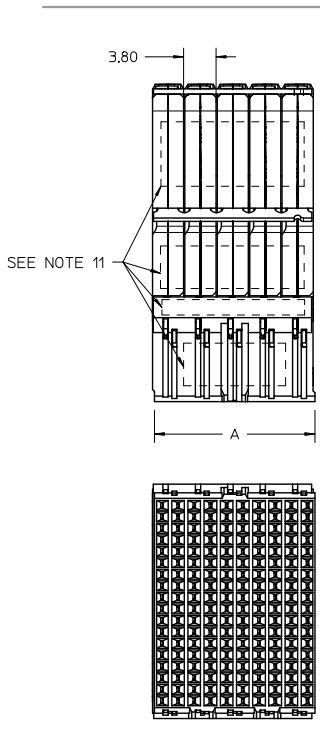
Click to view price, real time Inventory, Delivery & Lifecycle Information:

[Molex Connector Corporation](#)  
[0761501024](#)

For any questions, you can email us directly:

[sales@integrated-circuit.com](mailto:sales@integrated-circuit.com)

13 12 11 10 9 8 7 6 5 4 3 2 1



- NOTES:
1. MATERIALS: HOUSING - LIQUID CRYSTAL POLYMER (LCP), GLASS-FILLED, UL94V-0  
TERMINALS - HIGH PERFORMANCE COPPER ALLOY
  2. FINISH: 30μM MIN GOLD IN CONTACT AREA, SELECTIVE TIN ON PCB TAILS, NICKEL OVERALL.
  3. REFER TO MOLEX PRODUCT SPEC PS-76060-999 FOR PERFORMANCE SPECIFICATIONS AND ADDITIONAL PCB INFORMATION.
  4. EACH SIGNAL WAFER CONTAINS 2 COLUMNS OF TERMINALS.
  5. PRODUCT IS PACKAGED PER PK-70873-589.
  6. THIS PART CONFORMS TO CLASS B REQUIREMENTS OF COSMETIC SPEC PS-45499-002.
  7. REFER TO MOLEX SALES DRAWING SD-76145-001 FOR THE MATING HEADERS AND SD-76460-001 FOR MATING RAM.
  8. REFER TO MOLEX PCB ROUTING GUIDE AS-76060-990 FOR ANTI PAD AND ROUTING RECOMMENDATIONS.
  9. PART NUMBER 76150-1020 SHOWN ON DRAWING. KEYING FEATURES WILL CHANGE WITH COLUMN SIZE.
  10. MINIMUM BOARD THICKNESS IS 1.00 mm FOR COMPLIANT PIN FUNCTIONALITY.
  11. MARKING: LOCATED APPROXIMATELY AS SHOWN. PART NUMBER AND DATE CODE.

DAUGHTERCARD HOLE PATTERN (CONNECTOR SIDE)

ADD LASER MARK INFO EC NO: UCP2016-2564 DRWNG: WARIARA 2015/07/29 CHKD: TELLO APPR: TELLO 2016/01/06 G1	QUALITY SYMBOLS ∇=0 ∇=0 ∇=0	GENERAL TOLERANCES (UNLESS SPECIFIED)		DIMENSION STYLE		SCALE	DESIGN UNITS	THIRD ANGLE PROJECTION	
		mm	INCH	MM ONLY		3:1	METRIC	⊙	
		4 PLACES ±---	±---	DRAWN BY	DATE	TITLE			
		3 PLACES ±---	±---	JLAURX	2008/03/12	IMPACT 100 OHM DC 6 PAIR SIGNAL MODULE UNGUIDED SALES DRAWING			
		2 PLACES ±0.13	±---	CHECKED BY	DATE				
		1 PLACE ±0.25	±---	TELO	2008/03/12				
		0 PLACE ±	±	APPROVED BY	DATE	DOCUMENT NO.		SHEET NO.	
				JLAURX	2008/03/12	SD-76150-001		1 OF 2	
		ANGULAR ±1/2°		MATERIAL NO.					
DRAFT WHERE APPLICABLE MUST REMAIN WITHIN DIMENSIONS		SEE CHART		THIS DRAWING CONTAINS INFORMATION THAT IS PROPRIETARY TO MOLEX INCORPORATED AND SHOULD NOT BE USED WITHOUT WRITTEN PERMISSION					

12 11 10 9 8 7 6 5 4 3 2 1

MATERIAL NUMBER	# OF COLUMNS	# OF DIFF PAIR	DIM 'A' MAX	DIM 'B'	PTH $\phi$
76150-*010	10	60	19.00	17.10	0.46 +0.05
76150-*014	14	84	26.60	24.70	
76150-*016	16	96	30.40	28.50	
76150-*020	10	60	19.00	17.10	0.39 +0.05
76150-*024	14	84	26.60	24.70	
76150-*026	16	96	30.40	28.50	

76150-\*0\*\*

1 = OPEN LEAD-FREE

# OF COLUMNS  
 10 = 10 COL 0.46 PTH  
 14 = 14 COL 0.46 PTH  
 16 = 16 COL 0.46 PTH  
 20 = 10 COL 0.39 PTH  
 24 = 14 COL 0.39 PTH  
 26 = 16 COL 0.39 PTH

SEE SHEET 1 EC NO: UCP2016-2564 DRAWN BY: WARIARA 2015/07/29 CHKD: TELO APPR: TELO 2016/01/06	QUALITY SYMBOLS	GENERAL TOLERANCES (UNLESS SPECIFIED)	DIMENSION STYLE	SCALE	DESIGN UNITS	THIRD ANGLE PROJECTION																		
	DESCRIPTION REV	<table border="1"> <tr> <th></th> <th>mm</th> <th>INCH</th> </tr> <tr> <td>4 PLACES</td> <td>±---</td> <td>±---</td> </tr> <tr> <td>3 PLACES</td> <td>±---</td> <td>±---</td> </tr> <tr> <td>2 PLACES</td> <td>±0.13</td> <td>±---</td> </tr> <tr> <td>1 PLACE</td> <td>±0.25</td> <td>±---</td> </tr> <tr> <td>0 PLACE</td> <td>±</td> <td>±</td> </tr> </table>		mm	INCH	4 PLACES	±---	±---	3 PLACES	±---	±---	2 PLACES	±0.13	±---	1 PLACE	±0.25	±---	0 PLACE	±	±	MM ONLY	3:1	METRIC	TITLE IMPACT 100 OHM DC 6 PAIR SIGNAL MODULE UNGUIDED SALES DRAWING <b>molex</b>
			mm	INCH																				
		4 PLACES	±---	±---																				
3 PLACES		±---	±---																					
2 PLACES	±0.13	±---																						
1 PLACE	±0.25	±---																						
0 PLACE	±	±																						
ANGULAR ±1/2° DRAFT WHERE APPLICABLE MUST REMAIN WITHIN DIMENSIONS	DRAWN BY: JLAURX DATE: 2008/03/12 CHECKED BY: TELO DATE: 2008/03/12 APPROVED BY: JLAURX DATE: 2008/03/12	MATERIAL NO.	DOCUMENT NO.	SHEET NO.																				
G1	SEE CHART	SD-76150-001	2 OF 2	THIS DRAWING CONTAINS INFORMATION THAT IS PROPRIETARY TO MOLEX INCORPORATED AND SHOULD NOT BE USED WITHOUT WRITTEN PERMISSION																				