

Excellent Integrated System Limited

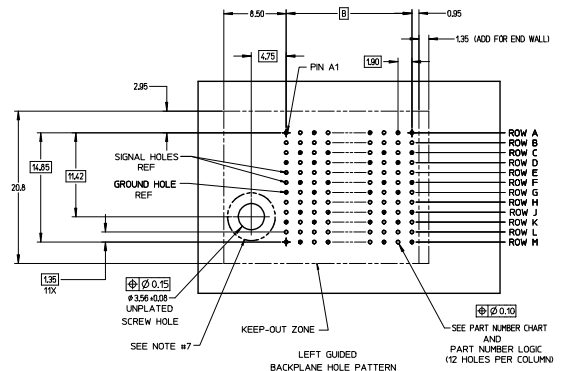
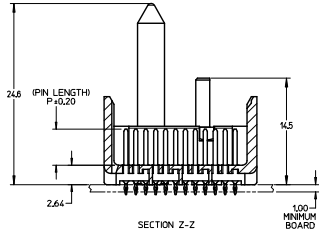
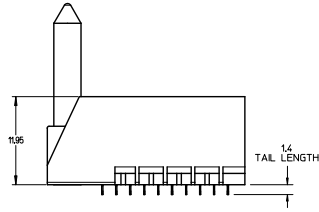
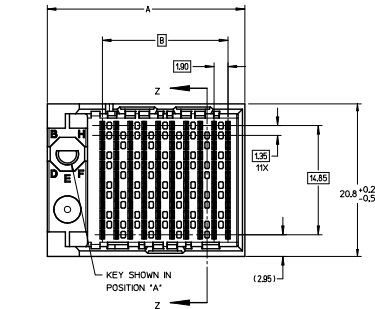
Stocking Distributor

Click to view price, real time Inventory, Delivery & Lifecycle Information:

[Molex Connector Corporation](#)
[0761553605](#)

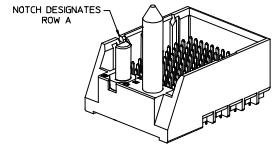
For any questions, you can email us directly:

sales@integrated-circuit.com



- NOTES:
- MATERIALS: HOUSING - LIQUID CRYSTAL POLYMER (LCP) GLASS-FILLED, UL94V-0
TERMINALS - HIGH PERFORMANCE COPPER ALLOY
 - FINISH: 5 MICRONS MINIMUM GOLD FLASH OVER 20 MICRONS MINIMUM Pd-Ni IN CONTACT AREA. SELECTIVE TIN ON PCB TAILS. NICKEL OVERALL.
 - REFER TO MOLEX PRODUCT SPECIFICATION PS-76060-999 FOR PERFORMANCE SPECIFICATIONS AND ADDITIONAL PCB INFORMATION.
 - THIS PART CONFORMS TO CLASS B REQUIREMENTS OF MOLEX COSMETIC SPEC PS-45499-002.
 - PACKAGE PER PK-70873-757.
 - SEE SHEETS 2 & 3 FOR PART NUMBERS AND BOARD RELATIONSHIPS.
 - FOR GROUNDED GUIDE PINS USE DIA. 3.56 +/- 0.08 (PTH) DIA. 3.66 (DRILL) AND DIA. 6.5 (PAD).
 - MATES WITH IMPACT DC SERIES NO. 76160.
 - KEEP OUT ZONE FOR BP HOUSING LENGTH INCLUDES AN ADDITIONAL 1.0MM TO ACCOMMODATE FOR SPACE REQUIRED BY DC FRONT HOUSING.
 - REFER TO MOLEX PCB ROUTING GUIDE AS-76060-990 FOR ANTI-PAD AND ROUTING RECOMMENDATIONS.
 - CONNECTORS SUPPLIED WITH A 2-56 UNC-2A SCREW.
 - THESE DIMENSIONS REPRESENT THE AREA NEEDED TO ACCOMMODATE CONNECTOR INSERTION AND REPAIR ON THE PCB BOARD. THIS IS REFERRED TO AS THE "CONNECTOR KEEP OUT ZONE" AND DOES NOT REPRESENT THE ACTUAL PERIMETER OF THE CONNECTOR. WHEN LAYING OUT THE PCB BOARD FOR CONNECTORS STACKED TOGETHER, USE A 1.9mm PROGRESSION.

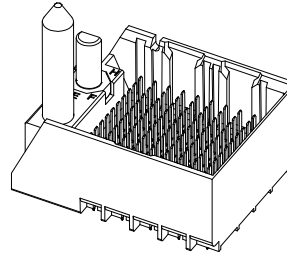
Pd-Ni
PLATING



| | | | | | | |
|--|---|--|---|----------------|--|------------------------|
| INITIAL RELEASE ECC INC. (EPT/04-2332) DRN/SVANG01 2015/12/08 CHK/OMW/LE 2015/12/08 APPRO/SML/LE 2015/12/17 REV | QUALITY SYMBOLS | GENERAL TOLERANCES (UNLESS SPECIFIED): | DIMENSION STYLE | SCALE | DESIGN UNITS | THIRD ANGLE PROJECTION |
| | $\nabla=0$ 4 PLACES \pm --- \pm --- $\nabla=0$ 3 PLACES \pm --- \pm --- $\nabla=0$ 2 PLACES \pm 0.13 \pm --- $\nabla=0$ 1 PLACE \pm 0.25 \pm --- $\nabla=0$ 0 PLACE \pm --- \pm --- | mm INCH | MM ONLY | 4:1 | METRIC | THIRD ANGLE PROJECTION |
| | | ANGULAR \pm 1/2° | DRAWN BY | DATE | TITLE | |
| | | DRAFT WHERE APPLICABLE MUST REMAIN WITHIN DIMENSIONS | SVANG01 | 2015/12/08 | IMPACT 4 PAIR HEADER LEFT GUIDED PDNI ASSEMBLY SALES DRAWING | |
| | | | CHECKED BY | DATE | | |
| | | | MWOLFE | 2015/12/08 | | |
| | | | APPROVED BY | DATE | | |
| | | | SML/LE | 2015/12/17 | | |
| | | | MATERIAL NO. | DOCUMENT NO. | SHEET NO. | |
| | | | SEE TABLE | RSD-173428-002 | 1 OF 3 | |
| | | | THIS DRAWING CONTAINS INFORMATION THAT IS PROPRIETARY TO MOLEX INCORPORATED AND SHOULD NOT BE USED WITHOUT WRITTEN PERMISSION | | | |

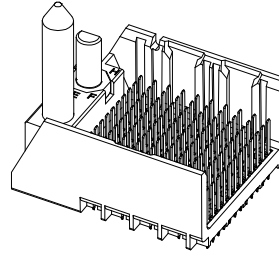
PART NUMBER TABLE

| MATERIAL NUMBER | # OF COLUMNS | # OF DIFF PAIR | DIM 'A' | DIM 'B' | GUIDE LEFT END WALL OPTION |
|---------------------|--------------|----------------|---------|---------|----------------------------------|
| 173428- *3** | 6 | 24 | 19.3 | 9.50 | |
| 173428- *8** | 8 | 32 | 23.1 | 13.30 | |
| 173428- *1** | 10 | 40 | 26.9 | 17.10 | |
| 173428- *6** | 16 | 64 | 38.3 | 28.50 | |



GUIDE LEFT
END WALL
OPTION

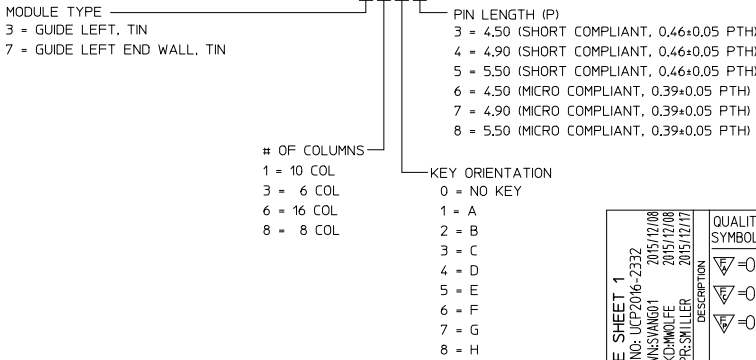
| MATERIAL NUMBER | # OF COLUMNS | # OF DIFF PAIR | DIM 'A' | DIM 'B' | GUIDE LEFT OPEN WALL OPTION |
|---------------------|--------------|----------------|---------|---------|-----------------------------------|
| 173428- *3** | 6 | 24 | 17.9 | 9.50 | |
| 173428- *8** | 8 | 32 | 21.7 | 13.30 | |
| 173428- *1** | 10 | 40 | 25.5 | 17.10 | |
| 173428- *6** | 16 | 64 | 36.9 | 28.50 | |



GUIDE LEFT
OPEN WALL
OPTION

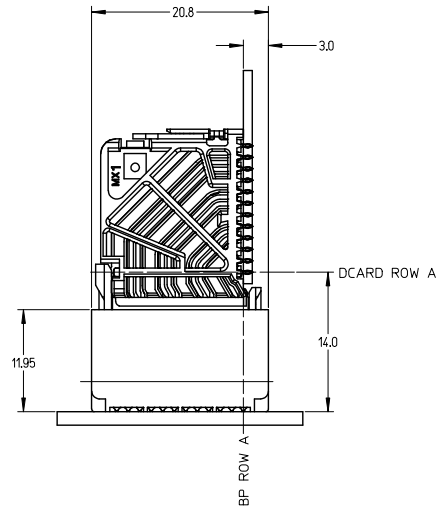
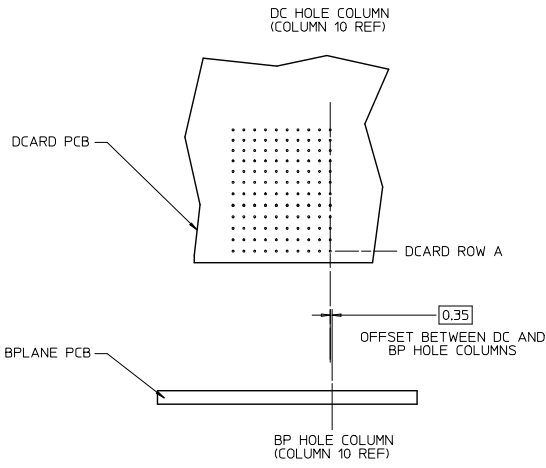
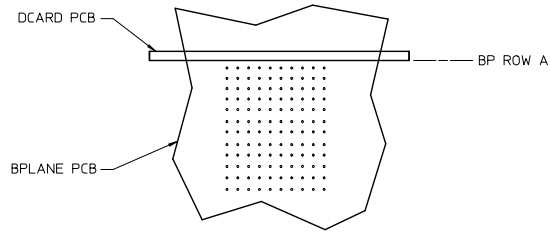
PART NUMBER LOGIC

173428-****

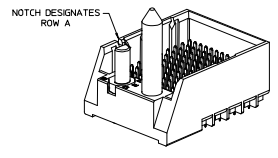
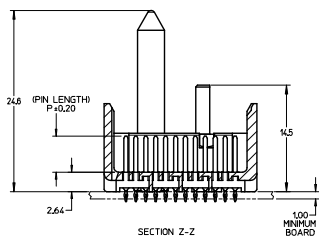
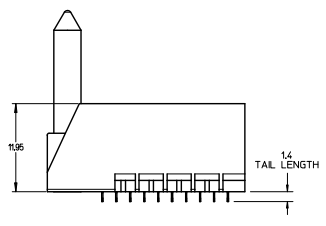
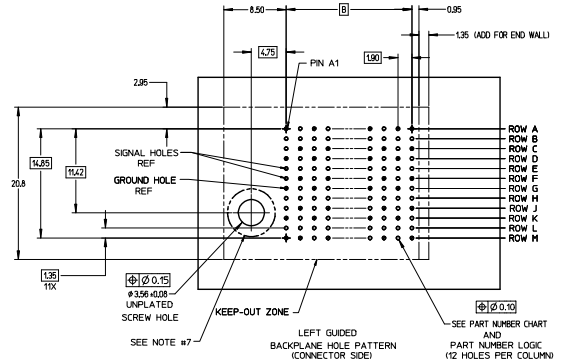
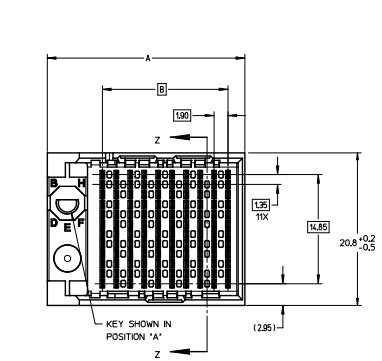


| | | | | | | | |
|--|--|--|--|----------------|--|------------------------|--|
| SEE SHEET 1 EC NO: UCP2016-2332 DRWNSVANG01 2015/12/08 CHKDWOLFE 2015/12/08 APPRSMILLER 2015/12/17 DESCRIPTION REV A | QUALITY SYMBOLS | GENERAL TOLERANCES (UNLESS SPECIFIED) | DIMENSION STYLE MM ONLY | SCALE 3:1 | DESIGN UNITS METRIC | THIRD ANGLE PROJECTION | |
| | $\nabla=0$ $\nabla=0$ $\nabla=0$ | 4 PLACES ± --- ± --- 3 PLACES ± --- ± --- 2 PLACES ± 0.13 ± --- 1 PLACE ± 0.25 ± --- 0 PLACE ± ± | DRAWN BY SVANG01 DATE 2015/12/08 CHECKED BY MWOLFE DATE 2015/12/08 APPROVED BY SMILLER DATE 2015/12/17 | TITLE | IMPACT 4 PAIR HEADER LEFT GUIDED PDNI ASSEMBLY SALES DRAWING | | |
| | ANGULAR ±1/2° | DRAFT WHERE APPLICABLE MUST REMAIN WITHIN DIMENSIONS | SEE TABLE | MATERIAL NO. | DOCUMENT NO. | SHEET NO. | |
| | THIS DRAWING CONTAINS INFORMATION THAT IS PROPRIETARY TO MOLEX INCORPORATED AND SHOULD NOT BE USED WITHOUT WRITTEN PERMISSION | | | RSD-173428-002 | 2 OF 3 | | |

IMPACT 4 PAIR
BOARD RELATIONSHIPS



| | | | | | | | | | | | |
|--|--|--------------------------------------|--|-----|----------------------------|---|--------------------|---|------------------------|-----------|--|
| SEE SHEET 1 EC NO: UCP2016-2332 DRWNG: SVANG01 CHK: KMOLFE APPR: SMILLER | 2015/12/08 2015/12/08 2015/12/17 | QUALITY SYMBOLS ∇=0 ∇=0 ∇=0 | GENERAL TOLERANCES (UNLESS SPECIFIED) | | DIMENSION STYLE MM ONLY | | SCALE 2:1 | DESIGN UNITS METRIC | THIRD ANGLE PROJECTION | | |
| | | | | mm | INCH | DRAWN BY SVANG01 | DATE 2015/12/08 | TITLE IMPACT 4 PAIR HEADER LEFT GUIDED PDNI ASSEMBLY SALES DRAWING molex | | | |
| | | | 4 PLACES ± | --- | --- | CHECKED BY MWOLFE | DATE 2015/12/08 | | | | |
| | | | 3 PLACES ± | --- | --- | APPROVED BY SMILLER | DATE 2015/12/17 | MATERIAL NO. | DOCUMENT NO. | SHEET NO. | |
| 2 PLACES ± | 0.13 | --- | ANGULAR ±1/2° | | SEE TABLE | RSD-173428-002 | 3 OF 3 | | | | |
| 1 PLACE ± | 0.25 | --- | DRAFT WHERE APPLICABLE MUST REMAIN WITHIN DIMENSIONS | | SIZE C | THIS DRAWING CONTAINS INFORMATION THAT IS PROPRIETARY TO MOLEX INCORPORATED AND SHOULD NOT BE USED WITHOUT WRITTEN PERMISSION | | | | | |
| 0 PLACE ± | --- | --- | | | | | | | | | |

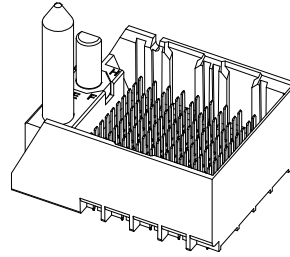


- NOTES:
- MATERIALS: HOUSING - LIQUID CRYSTAL POLYMER (LCP) GLASS-FILLED, UL94V-0
TERMINALS - HIGH PERFORMANCE COPPER ALLOY
 - FINISH: 30μM MN GOLD IN CONTACT AREA, SELECTIVE TIN ON PCB TAILS, NICKEL OVERALL.
 - REFER TO MOLEX PRODUCT SPECIFICATION PS-76060-999 FOR PERFORMANCE SPECIFICATIONS AND ADDITIONAL PCB INFORMATION.
 - THIS PART CONFORMS TO CLASS B REQUIREMENTS OF MOLEX COSMETIC SPEC PS-45499-002.
 - PACKAGE PER: PK-70873-757.
 - SEE SHEETS 2 & 3 FOR PART NUMBERS AND BOARD RELATIONSHIPS.
 - FOR GROUNDED GUIDE PINS USE DIA. 3.56 (+/-0.08 IPTH) DIA. 3.66 (DRILL) AND DIA. 6.5 (PAD).
 - MATES WITH IMPACT DC SERIES NO. 76160.
 - KEEP OUT ZONE FOR BP HOUSING LENGTH INCLUDES AN ADDITIONAL 1.0MM TO ACCOMMODATE FOR SPACE REQUIRED BY DC FRONT HOUSING.
 - REFER TO MOLEX PCB ROUTING GUIDE AS-76060-990 FOR ANTI PAD AND ROUTING RECOMMENDATIONS.
 - CONNECTORS SUPPLIED WITH A 2-56 UNC-2A SCREW.
 - THESE DIMENSIONS REPRESENT THE AREA NEEDED TO ACCOMMODATE CONNECTOR INSERTION AND REPAIR ON THE PC BOARD. THIS IS REFERRED TO AS THE "CONNECTOR KEEP OUT ZONE" AND DOES NOT REPRESENT THE ACTUAL PERIMETER OF THE CONNECTOR. WHEN LAYING OUT THE PC BOARD FOR CONNECTORS STACKED TOGETHER, USE A 1.5mm PROGRESSION.

| | | | | | | | | |
|--|---|---|--|--|--|---------------------------|------------------------------|---------------------|
| CONVERT TO LEAD FREE ECN NO. IEP203-2078 DRAWN BY BARBA 20/12/18 CHECKED INGRAM 20/12/18 APPROVED BY JLAUR 20/12/18 (REV) | QUALITY SYMBOLS ∇=0 ∇=1 ∇=2 ∇=3 | GENERAL TOLERANCES (UNLESS SPECIFIED): mm INCH 4 PLACES ±.15 ±.006 3 PLACES ±.13 ±.005 2 PLACES ±0.13 ±.005 1 PLACE ±0.25 ±.010 0 PLACE ±.00 ±.000 ANGULAR ±1/2° DRAFT WHERE APPLICABLE MUST REMAIN WITHIN DIMENSIONS | DIMENSION STYLE MM ONLY DRAWN BY MSANDBERG 2007/19/07 CHECKED BY DATE APPROVED BY JLAUR 2007/19/07 APPROVED BY JLAUR 2010/11/15 | SCALE 4:1 DESIGN UNITS METRIC THIRD ANGLE PROJECTION | TITLE IMPACT 4 PAIR HEADER LEFT GUIDED ASSEMBLY SALES DRAWING | MATERIAL NO. SEE TABLE | DOCUMENT NO. SD-76155-002 | SHEET NO. 1 OF 3 |
| | THIS DRAWING CONTAINS INFORMATION THAT IS PROPRIETARY TO MOLEX INCORPORATED AND SHOULD NOT BE USED WITHOUT WRITTEN PERMISSION | | | | | | | |

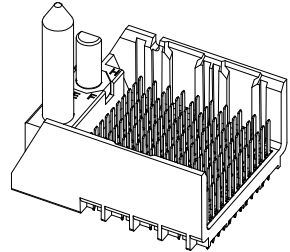
PART NUMBER TABLE

| MATERIAL NUMBER | # OF COLUMNS | # OF DIFF PAIR | DIM 'A' | DIM 'B' | GUIDE LEFT END WALL OPTION |
|-----------------|--------------|----------------|---------|---------|----------------------------------|
| 76155-*3** | 6 | 24 | 19.3 | 9.50 | |
| 76155-*8** | 8 | 32 | 23.1 | 13.30 | |
| 76155-*1** | 10 | 40 | 26.9 | 17.10 | |
| 76155-*6** | 16 | 64 | 38.3 | 28.50 | |



GUIDE LEFT
END WALL
OPTION

| MATERIAL NUMBER | # OF COLUMNS | # OF DIFF PAIR | DIM 'A' | DIM 'B' | GUIDE LEFT OPEN WALL OPTION |
|-----------------|--------------|----------------|---------|---------|-----------------------------------|
| 76155-*3** | 6 | 24 | 17.9 | 9.50 | |
| 76155-*8** | 8 | 32 | 21.7 | 13.30 | |
| 76155-*1** | 10 | 40 | 25.5 | 17.10 | |
| 76155-*6** | 16 | 64 | 36.9 | 28.50 | |



GUIDE LEFT
OPEN WALL
OPTION

PART NUMBER LOGIC

76155-****

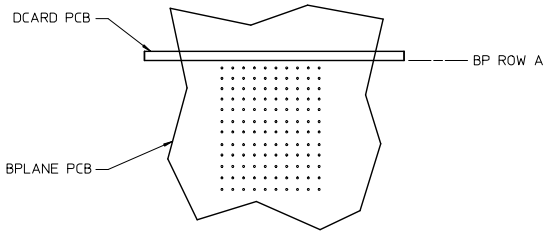
MODULE TYPE
3 = GUIDE LEFT, TIN
7 = GUIDE LEFT END WALL, TIN

OF COLUMNS
1 = 10 COL
3 = 6 COL
6 = 16 COL
8 = 8 COL

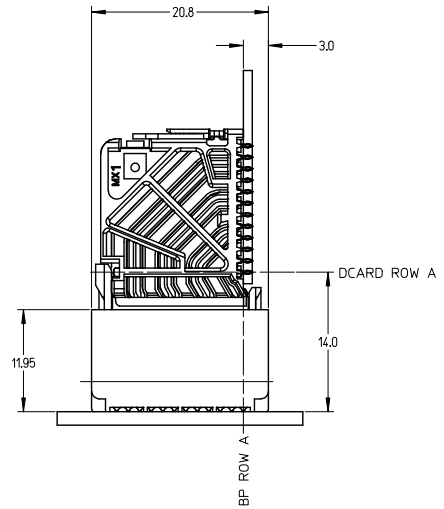
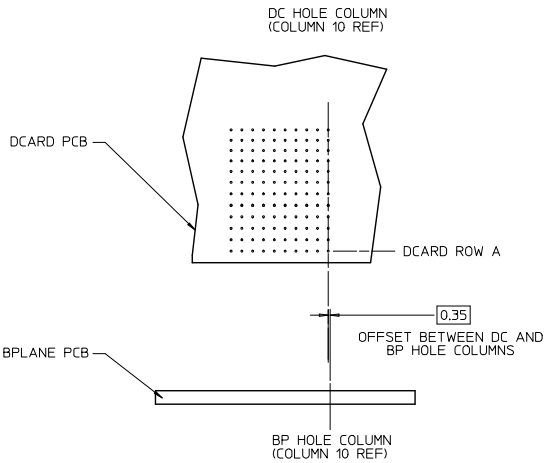
PIN LENGTH (P)
3 = 4.50 (SHORT COMPLIANT, 0.46±0.05 PTH)
4 = 4.90 (SHORT COMPLIANT, 0.46±0.05 PTH)
5 = 5.50 (SHORT COMPLIANT, 0.46±0.05 PTH)
6 = 4.50 (MICRO COMPLIANT, 0.39±0.05 PTH)
7 = 4.90 (MICRO COMPLIANT, 0.39±0.05 PTH)
8 = 5.50 (MICRO COMPLIANT, 0.39±0.05 PTH)

KEY ORIENTATION
0 = NO KEY
1 = A
2 = B
3 = C
4 = D
5 = E
6 = F
7 = G
8 = H

| | | | | | | | | | |
|--|---------------------|--|----------------------|----------------------------|----------------------|--------------|--|--|--|
| SEE SHEET 1 EC NO: UCP2015-2078 DRAWN: TIBARRA 2012/11/28 CHKD: BINGHAM 2012/12/18 APPR: SMILLER 2012/12/31 H REV | QUALITY SYMBOLS | GENERAL TOLERANCES (UNLESS SPECIFIED) | | DIMENSION STYLE MM ONLY | | SCALE 3:1 | DESIGN UNITS METRIC | THIRD ANGLE PROJECTION | |
| | | 4 PLACES ± --- ± --- | 3 PLACES ± --- ± --- | 2 PLACES ± 0.13 ± --- | 1 PLACE ± 0.25 ± --- | 0 PLACE ± ± | DRAWN BY MSANDBERG CHECKED BY JLAURX APPROVED BY JLAURX | DATE 2007/19/07 DATE 2007/19/07 DATE 2010/11/15 | TITLE IMPACT 4 PAIR HEADER LEFT GUIDED ASSEMBLY SALES DRAWING |
| | | ANGULAR ±1/2° | | MATERIAL NO. | | DOCUMENT NO. | | SHEET NO. | |
| | | DRAFT WHERE APPLICABLE MUST REMAIN WITHIN DIMENSIONS | | SEE TABLE | | SD-76155-002 | | 2 OF 3 | |



IMPACT 4 PAIR
BOARD RELATIONSHIPS



| | | | | | | | | | |
|--|--------------------------------------|---------------------------------------|-----|----------------------------|-----------------------|---|---|------------------------|--|
| SEE SHEET 1 EC NO: UCP2015-2078 DRAWN: IBARRA 2012/11/28 CHKD: B INGHAM 2012/12/18 APPR: MILLER 2012/12/31 | QUALITY SYMBOLS ∇=0 ∇=0 ∇=0 | GENERAL TOLERANCES (UNLESS SPECIFIED) | | DIMENSION STYLE MM ONLY | | SCALE 2:1 | DESIGN UNITS METRIC | THIRD ANGLE PROJECTION | |
| | | | mm | INCH | DRAWN BY MSANDBERG | DATE 2007/19/07 | TITLE IMPACT 4 PAIR HEADER LEFT GUIDED ASSEMBLY SALES DRAWING molex DOCUMENT NO. SD-76155-002 SHEET NO. 3 OF 3 | | |
| | | 4 PLACES ± | --- | --- | CHECKED BY JLAURX | DATE 2007/19/07 | | | |
| | | 3 PLACES ± | --- | --- | APPROVED BY JLAURX | DATE 2010/11/15 | | | |
| 2 PLACES ± | 0.13 | --- | | | | | | | |
| 1 PLACE ± | 0.25 | --- | | | | | | | |
| 0 PLACE ± | | | | | | | | | |
| | | ANGULAR ±1/2° | | MATERIAL NO. | | DOCUMENT NO. | | SHEET NO. | |
| DRAFT WHERE APPLICABLE MUST REMAIN WITHIN DIMENSIONS | | SEE TABLE | | SIZE C | | THIS DRAWING CONTAINS INFORMATION THAT IS PROPRIETARY TO MOLEX INCORPORATED AND SHOULD NOT BE USED WITHOUT WRITTEN PERMISSION | | | |