

Excellent Integrated System Limited

Stocking Distributor

Click to view price, real time Inventory, Delivery & Lifecycle Information:

[Molex Connector Corporation](#)

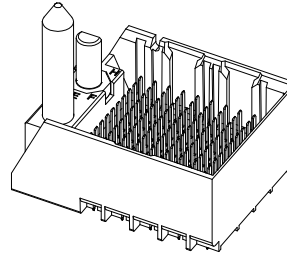
[0761556604](#)

For any questions, you can email us directly:

sales@integrated-circuit.com

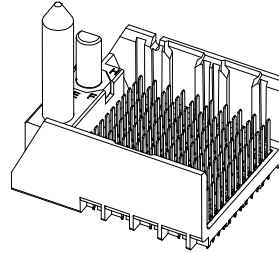
PART NUMBER TABLE

MATERIAL NUMBER	# OF COLUMNS	# OF DIFF PAIR	DIM 'A'	DIM 'B'	GUIDE LEFT END WALL OPTION
173428- *3**	6	24	19.3	9.50	
173428- *8**	8	32	23.1	13.30	
173428- *1**	10	40	26.9	17.10	
173428- *6**	16	64	38.3	28.50	



GUIDE LEFT
END WALL
OPTION

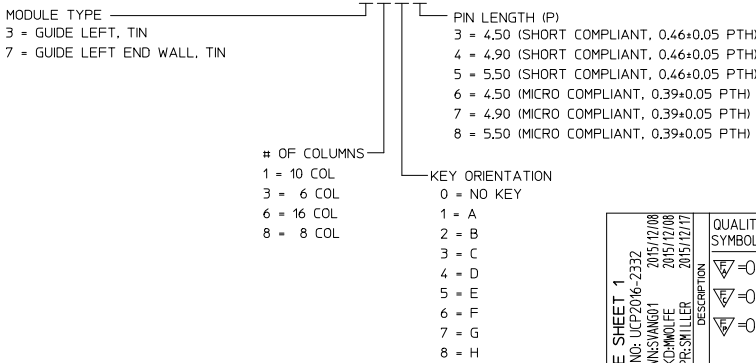
MATERIAL NUMBER	# OF COLUMNS	# OF DIFF PAIR	DIM 'A'	DIM 'B'	GUIDE LEFT OPEN WALL OPTION
173428- *3**	6	24	17.9	9.50	
173428- *8**	8	32	21.7	13.30	
173428- *1**	10	40	25.5	17.10	
173428- *6**	16	64	36.9	28.50	



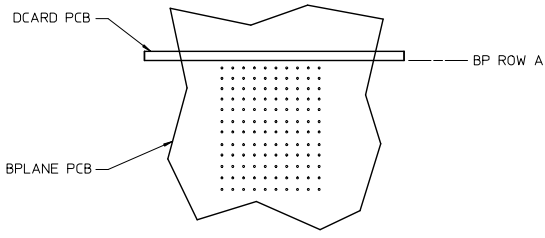
GUIDE LEFT
OPEN WALL
OPTION

PART NUMBER LOGIC

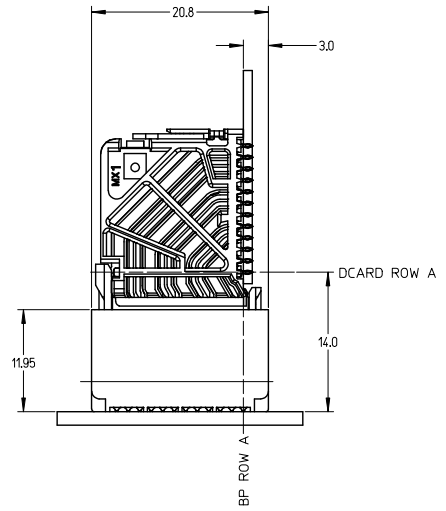
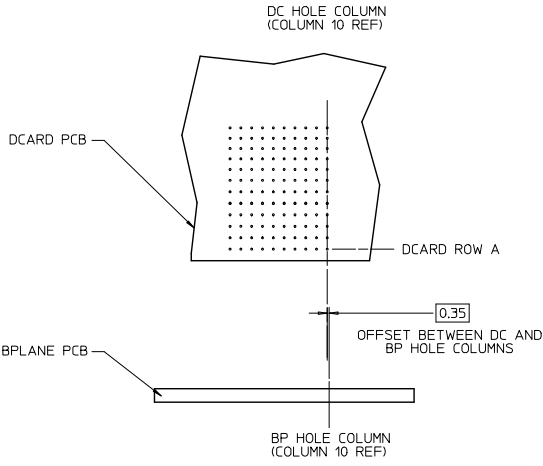
173428-****



SEE SHEET 1 EC NO: UCP2016-2332 DRWNSVANG01 2015/12/08 CHKDWOLFE 2015/12/08 APPRSMILLER 2015/12/17	QUALITY SYMBOLS ∇=0 ∇=0 ∇=0	GENERAL TOLERANCES (UNLESS SPECIFIED)		DIMENSION STYLE MM ONLY		SCALE 3:1	DESIGN UNITS METRIC	THIRD ANGLE PROJECTION	
		4 PLACES ± --- ± ---	3 PLACES ± --- ± ---	DRAWN BY SVANG01	DATE 2015/12/08	TITLE IMPACT 4 PAIR HEADER LEFT GUIDED PDNI ASSEMBLY SALES DRAWING			
		2 PLACES ± 0.13 ± ---	1 PLACE ± 0.25 ± ---	CHECKED BY MWOLFE	DATE 2015/12/08				
		0 PLACE ± --- ± ---	ANGULAR ± 1/2°	APPROVED BY SMILLER	DATE 2015/12/17				



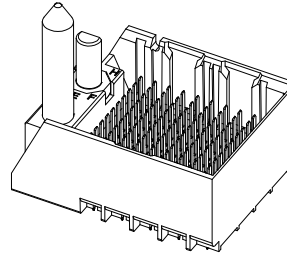
IMPACT 4 PAIR
BOARD RELATIONSHIPS



SEE SHEET 1 EC NO: UCP2016-2332 DRWNG: SVANG01 CHK: KMOLFE APPR: SMILLER	2015/12/08 2015/12/08 2015/12/17	QUALITY SYMBOLS ∇=0 ∇=0 ∇=0	GENERAL TOLERANCES (UNLESS SPECIFIED)		DIMENSION STYLE MM ONLY		SCALE 2:1	DESIGN UNITS METRIC	THIRD ANGLE PROJECTION				
				mm	INCH	DRAWN BY SVANG01	DATE 2015/12/08	TITLE IMPACT 4 PAIR HEADER LEFT GUIDED PDNI ASSEMBLY SALES DRAWING molex MATERIAL NO. RSD-173428-002 DOCUMENT NO. RSD-173428-002 SHEET NO. 3 OF 3					
			4 PLACES	±	---	±	---					CHECKED BY MWOLFE	DATE 2015/12/08
			3 PLACES	±	---	±	---					APPROVED BY SMILLER	DATE 2015/12/17
2 PLACES	±	0.13	±	---	ANGULAR ±1/2°								
1 PLACE	±	0.25	±	---	DRAFT WHERE APPLICABLE MUST REMAIN WITHIN DIMENSIONS		SIZE C						
0 PLACE	±	---	±	---	THIS DRAWING CONTAINS INFORMATION THAT IS PROPRIETARY TO MOLEX INCORPORATED AND SHOULD NOT BE USED WITHOUT WRITTEN PERMISSION								

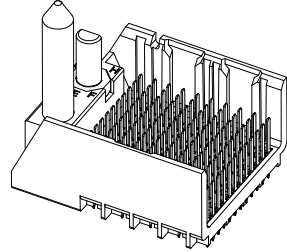
PART NUMBER TABLE

MATERIAL NUMBER	# OF COLUMNS	# OF DIFF PAIR	DIM 'A'	DIM 'B'	GUIDE LEFT END WALL OPTION
76155- *3**	6	24	19.3	9.50	
76155- *8**	8	32	23.1	13.30	
76155- *1**	10	40	26.9	17.10	
76155- *6**	16	64	38.3	28.50	



GUIDE LEFT
END WALL
OPTION

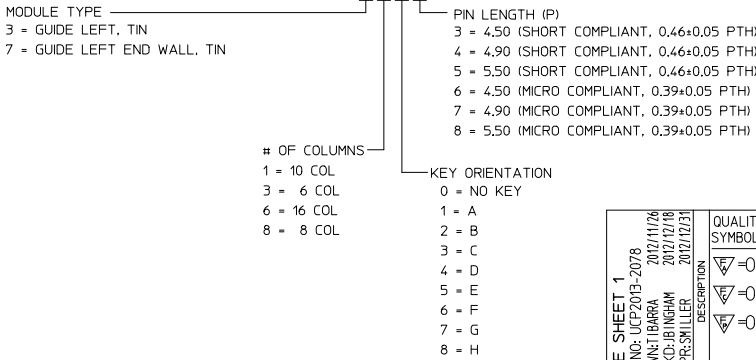
MATERIAL NUMBER	# OF COLUMNS	# OF DIFF PAIR	DIM 'A'	DIM 'B'	GUIDE LEFT OPEN WALL OPTION
76155- *3**	6	24	17.9	9.50	
76155- *8**	8	32	21.7	13.30	
76155- *1**	10	40	25.5	17.10	
76155- *6**	16	64	36.9	28.50	



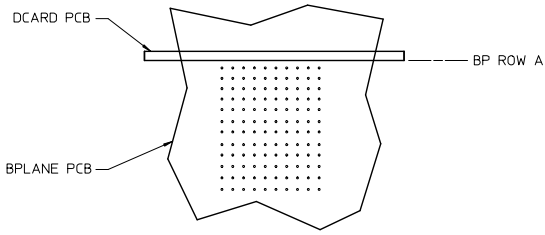
GUIDE LEFT
OPEN WALL
OPTION

PART NUMBER LOGIC

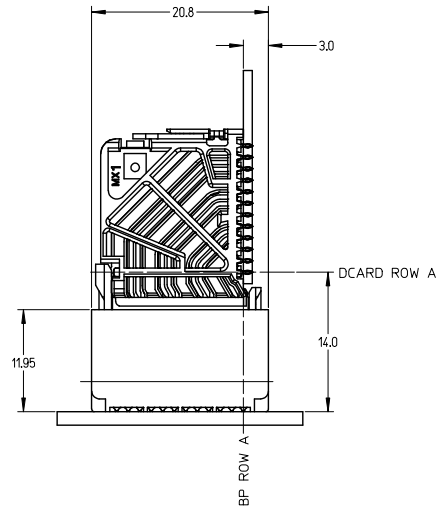
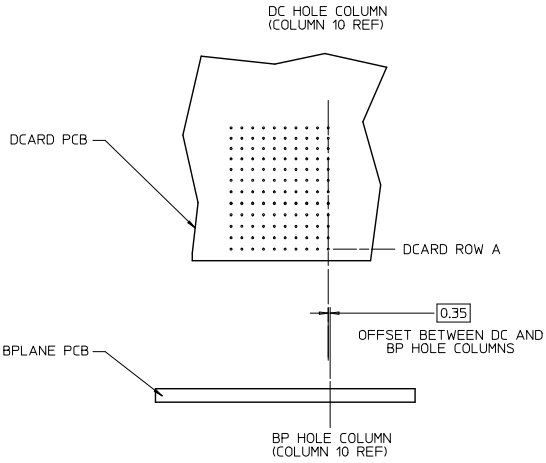
76155-****



SEE SHEET 1 EC NO: UCP2015-2078 DRAWN: TIBARRA 2012/11/28 CHKD: BINGHAM 2012/12/18 APPR: SMILLER 2012/12/31	QUALITY SYMBOLS ∇=0 ∇=0 ∇=0	GENERAL TOLERANCES (UNLESS SPECIFIED)		DIMENSION STYLE MM ONLY		SCALE 3:1	DESIGN UNITS METRIC	THIRD ANGLE PROJECTION	
		4 PLACES ± --- ± ---	3 PLACES ± --- ± ---	DRAWN BY MSANDBERG	DATE 2007/19/07	TITLE IMPACT 4 PAIR HEADER LEFT GUIDED ASSEMBLY SALES DRAWING			
		2 PLACES ± 0.13 ± ---	1 PLACE ± 0.25 ± ---	CHECKED BY JLAURX	DATE 2007/19/07				
		0 PLACE ± ±	ANGULAR ± 1/2°	APPROVED BY JLAURX	DATE 2010/11/15				



IMPACT 4 PAIR
BOARD RELATIONSHIPS



SEE SHEET 1 EC NO: UCP2013-2078 DRAWN: IBARRA 2012/11/28 CHKD: B INGHAM 2012/12/18 APPR: MILLER 2012/12/31	QUALITY SYMBOLS ∇=0 ∇=0 ∇=0	GENERAL TOLERANCES (UNLESS SPECIFIED)		DIMENSION STYLE MM ONLY		SCALE 2:1	DESIGN UNITS METRIC	THIRD ANGLE PROJECTION	
			mm	INCH	DRAWN BY MSANDBERG	DATE 2007/19/07	TITLE IMPACT 4 PAIR HEADER LEFT GUIDED ASSEMBLY SALES DRAWING molex DOCUMENT NO. SD-76155-002 SHEET NO. 3 OF 3		
		4 PLACES ± --- ± ---			CHECKED BY JLAURX	DATE 2007/19/07			
		3 PLACES ± --- ± ---			APPROVED BY JLAURX	DATE 2010/11/15			
2 PLACES ± 0.13 ± ---									
			1 PLACE ± 0.25 ± ---						
			0 PLACE ± ±						
			ANGULAR ± 1/2°		MATERIAL NO.		DOCUMENT NO.		
			DRAFT WHERE APPLICABLE MUST REMAIN WITHIN DIMENSIONS		SEE TABLE				
			THIS DRAWING CONTAINS INFORMATION THAT IS PROPRIETARY TO MOLEX INCORPORATED AND SHOULD NOT BE USED WITHOUT WRITTEN PERMISSION						