

Excellent Integrated System Limited

Stocking Distributor

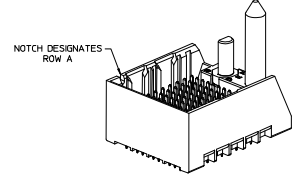
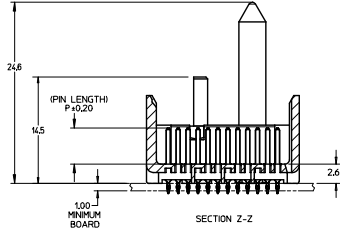
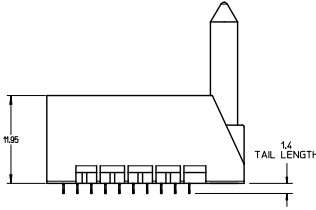
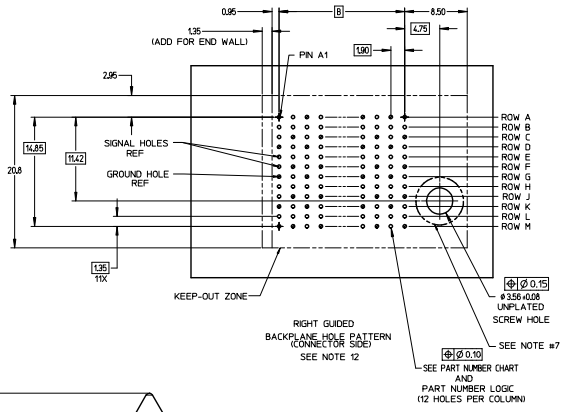
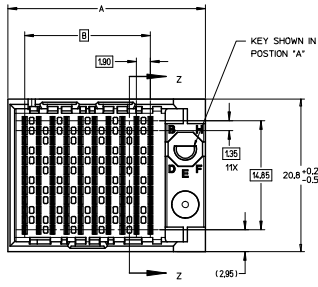
Click to view price, real time Inventory, Delivery & Lifecycle Information:

[Molex Connector Corporation](#)

[0761559104](#)

For any questions, you can email us directly:

sales@integrated-circuit.com

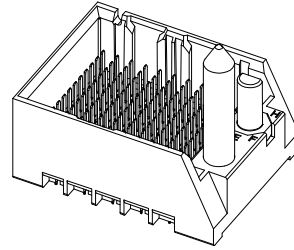


- NOTES:
1. MATERIALS: HOUSING - LIQUID CRYSTAL POLYMER (LCP)
GLASS-FILLED, UL94V-0
TERMINALS - HIGH PERFORMANCE COPPER ALLOY
NICKEL OVERALL.
 2. FINISH: 30μ MN GOLD IN CONTACT AREA,
SELECTIVE TN ON PCB TAILS.
 3. REFER TO MOLEX PRODUCT SPECIFICATION PS-76060-999
FOR PERFORMANCE SPECIFICATIONS AND ADDITIONAL PCB INFORMATION.
 4. THIS PART CONFORMS TO CLASS B REQUIREMENTS OF
MOLEX COSMETIC SPEC PS-45499-002.
 5. PACKAGE PER PK-70873-757.
 6. SEE SHEETS 2 & 3 FOR PART NUMBERS AND BOARD RELATIONSHIPS.
 7. FOR GROUNDED GUIDE PINS USE DIA. 3.56 ±0.08 (PTH)
DIA. 3.66 (DRILL) AND DIA. 6.5 (PAD).
 8. MATES WITH IMPACT DC SERIES NO. 76160.
 9. KEEP OUT ZONE FOR BP HOUSING LENGTH INCLUDES AN ADDITIONAL 10MM
TO ACCOMMODATE FOR SPACE REQUIRED BY DC FRONT HOUSING.
 10. REFER TO MOLEX PCB ROUTING GUIDE AS-76060-990 FOR ANTI PAD AND ROUTING RECOMMENDATIONS.
 11. CONNECTORS SUPPLIED WITH A 2-56 UNC-2A SCREW.
 12. THESE DIMENSIONS REPRESENT THE AREA NEEDED TO ACCOMMODATE CONNECTOR INSERTION AND
REPAIR ON THE PC BOARD. THIS IS REFERRED TO AS THE "CONNECTOR KEEP OUT ZONE" AND
DOES NOT REPRESENT THE ACTUAL PERIMETER OF THE CONNECTOR. WHEN LAYING OUT A PC BOARD
FOR CONNECTORS STACKED TOGETHER, USE A 10mm PROGRESSION.

CONVERT TO LEAD-FREE EC NS: UPE2003-2008 DRAWN: IBARRA 2007/11/26 CHECKED: B. INGHAM 2007/12/18 APPROVED: J. BARRETT 2007/12/21 (REV)	QUALITY SYMBOLS ∇=0 ∇=0 ∇=0	GENERAL TOLERANCES (UNLESS SPECIFIED) mm INCH 4 PLACES ±0.15 ±0.006 3 PLACES ±0.25 ±0.010 2 PLACES ±0.38 ±0.015 1 PLACE ±0.50 ±0.020 0 PLACE ±0.75 ±0.030 ANGULAR ±1/2° DRAFT WHERE APPLICABLE MUST REMAIN WITHIN DIMENSIONS	DIMENSION STYLE MM ONLY DRAWN BY MSANDBERG 2007/11/26 CHECKED BY JLAURX 2007/11/26 APPROVED BY JLAURX 2010/10/15 MATERIAL NO. SEE TABLE THIS DRAWING CONTAINS INFORMATION THAT IS PROPRIETARY TO MOLEX INCORPORATED AND SHOULD NOT BE USED WITHOUT WRITTEN PERMISSION	SCALE 4:1 DESIGN UNITS METRIC THIRD ANGLE PROJECTION	TITLE IMPACT 4 PAIR HEADER RIGHT GUIDED ASSEMBLY SALES DRAWING molex	DOCUMENT NO. SD-76155-003 SHEET NO. 1 OF 3
--	--------------------------------------	---	--	--	---	---

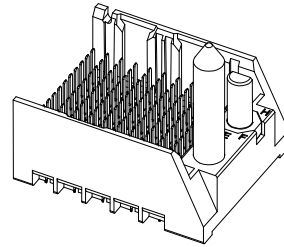
PART NUMBER TABLE

MATERIAL NUMBER	# OF COLUMNS	# OF DIFF PAIR	DIM 'A'	DIM 'B'	GUIDE RIGHT END WALL OPTION
76155- *3**	6	24	19.3	9.50	
76155- *8**	8	32	23.1	13.30	
76155- *1**	10	40	26.9	17.10	
76155- *6**	16	64	38.3	28.50	



GUIDE RIGHT
END WALL
OPTION

MATERIAL NUMBER	# OF COLUMNS	# OF DIFF PAIR	DIM 'A'	DIM 'B'	GUIDE RIGHT OPEN WALL OPTION
76155- *3**	6	24	17.9	9.50	
76155- *8**	8	32	21.7	13.30	
76155- *1**	10	40	25.5	17.10	
76155- *6**	16	64	36.9	28.50	



GUIDE RIGHT
OPEN WALL
OPTION

PART NUMBER LOGIC

76155-****

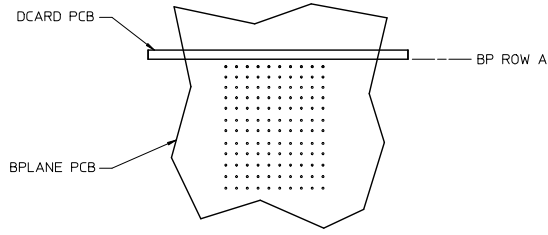
MODULE TYPE
5 = GUIDE RIGHT, TIN
9 = GUIDE RIGHT END WALL, TIN

OF COLUMNS
1 = 10 COL
3 = 6 COL
6 = 16 COL
8 = 8 COL

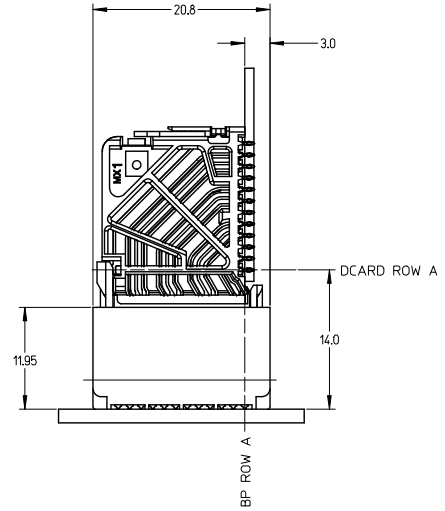
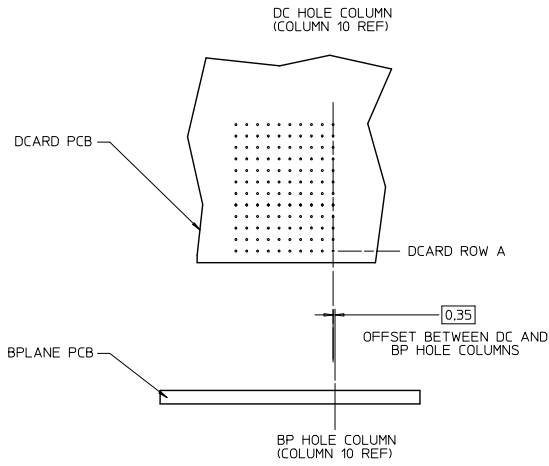
PIN LENGTH (P)
3 = 4.50 (SHORT COMPLIANT, 0.46±0.05 PTH)
4 = 4.90 (SHORT COMPLIANT, 0.46±0.05 PTH)
5 = 5.50 (SHORT COMPLIANT, 0.46±0.05 PTH)
6 = 4.50 (MICRO COMPLIANT, 0.39±0.05 PTH)
7 = 4.90 (MICRO COMPLIANT, 0.39±0.05 PTH)
8 = 5.50 (MICRO COMPLIANT, 0.39±0.05 PTH)

KEY ORIENTATION
0 = NO KEY
1 = A
2 = B
3 = C
4 = D
5 = E
6 = F
7 = G
8 = H

SEE SHEET 1 EC NO: UCPE2013-2078 DRAWN BY: IBARRA 2012/11/28 CHKD BY: NIGRAM 2012/12/18 APPR: MILLER 2012/12/13	QUALITY SYMBOLS ∇=0 ∇=0 ∇=0	GENERAL TOLERANCES (UNLESS SPECIFIED)	DIMENSION STYLE MM ONLY	SCALE 3:1	DESIGN UNITS METRIC	THIRD ANGLE PROJECTION
		4 PLACES ± --- ± ---	DRAWN BY DATE MSANDBERG 2007/19/07	TITLE IMPACT 4 PAIR HEADER RIGHT GUIDED ASSEMBLY SALES DRAWING		
		3 PLACES ± --- ± ---	CHECKED BY DATE JLAURX 2007/19/07			
		2 PLACES ± 0.13 ± ---	APPROVED BY DATE JLAURX 2010/10/15			
1 PLACE ± 0.25 ± ---	ANGULAR ± 1/2°	MATERIAL NO.	DOCUMENT NO.	SHEET NO.		
0 PLACE ± ±	DRAFT WHERE APPLICABLE MUST REMAIN WITHIN DIMENSIONS	SEE TABLE	SD-76155-003	2 OF 3		



IMPACT 4 PAIR
BOARD RELATIONSHIPS



SEE SHEET 1 EC NO: UCPE2019-2078 DRAWN BY: IBARRA 2012/11/28 CHKD: BINGHAM 2012/12/18 APPR: MILLER 2012/12/31	QUALITY SYMBOLS ∇=0 ∇=0 ∇=0	GENERAL TOLERANCES (UNLESS SPECIFIED)		DIMENSION STYLE MM ONLY		SCALE 2:1	DESIGN UNITS METRIC	THIRD ANGLE PROJECTION
		4 PLACES ± --- ± --- 3 PLACES ± --- ± --- 2 PLACES ± 0.13 ± --- 1 PLACE ± 0.25 ± --- 0 PLACE ± ±	mm INCH DRAWN BY: MSANDBERG 2007/19/07 CHECKED BY: JLAURX 2007/19/07 APPROVED BY: JLAURX 2010/10/15	TITLE IMPACT 4 PAIR HEADER RIGHT GUIDED ASSEMBLY SALES DRAWING		MATERIAL NO. DOCUMENT NO. SEE TABLE SD-76155-003		SHEET NO. 3 OF 3
DRAFT WHERE APPLICABLE MUST REMAIN WITHIN DIMENSIONS		THIS DRAWING CONTAINS INFORMATION THAT IS PROPRIETARY TO MOLEX INCORPORATED AND SHOULD NOT BE USED WITHOUT WRITTEN PERMISSION						