

## Excellent Integrated System Limited

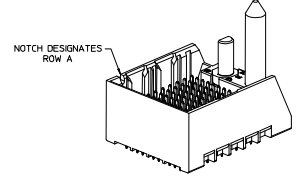
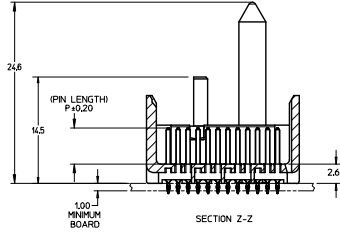
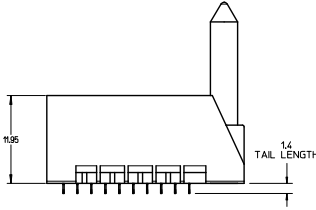
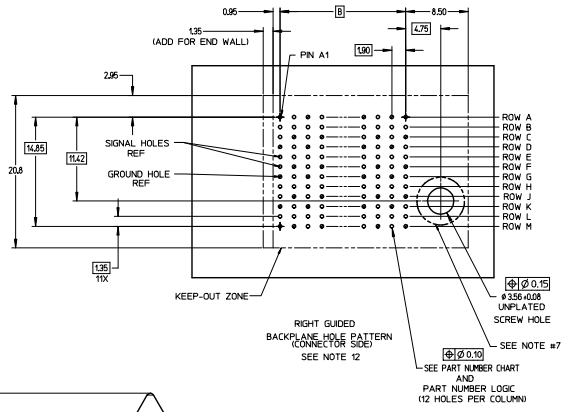
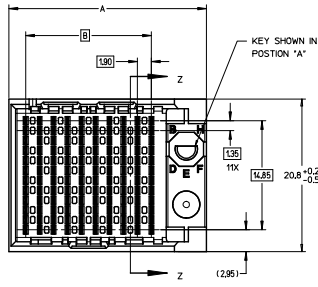
Stocking Distributor

Click to view price, real time Inventory, Delivery & Lifecycle Information:

[Molex Connector Corporation](#)  
[0761559803](#)

For any questions, you can email us directly:

[sales@integrated-circuit.com](mailto:sales@integrated-circuit.com)

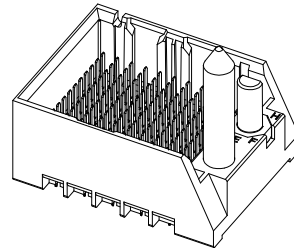


- NOTES:
- MATERIALS: HOUSING - LIQUID CRYSTAL POLYMER (LCP) GLASS-FILLED, UL94V-0  
TERMINALS - HIGH PERFORMANCE COPPER ALLOY
  - FINISH: 30μ MN GOLD IN CONTACT AREA,  
SELECTIVE TN ON PCB TAILS,  
NICKEL OVERALL.
  - REFER TO MOLEX PRODUCT SPECIFICATION PS-76060-999 FOR PERFORMANCE SPECIFICATIONS AND ADDITIONAL PCB INFORMATION.
  - THIS PART CONFORMS TO CLASS B REQUIREMENTS OF MOLEX COSMETIC SPEC PS-45499-002.
  - PACKAGE PER PK-70873-757.
  - SEE SHEETS 2 & 3 FOR PART NUMBERS AND BOARD RELATIONSHIPS.
  - FOR GROUNDED GUIDE PINS USE DIA. 3.56 ± 0.08 (PTH) DIA. 3.66 (DRILL) AND DIA. 6.5 (PAD).
  - MATES WITH IMPACT DC SERIES NO. 76160.
  - KEEP OUT ZONE FOR BP HOUSING LENGTH INCLUDES AN ADDITIONAL 10MM TO ACCOMMODATE FOR SPACE REQUIRED BY DC FRONT HOUSING.
  - REFER TO MOLEX PCB ROUTING GUIDE AS-76060-990 FOR ANTI PAD AND ROUTING RECOMMENDATIONS.
  - CONNECTORS SUPPLIED WITH A 2-56 UNC-2A SCREW.
  - THESE DIMENSIONS REPRESENT THE AREA NEEDED TO ACCOMMODATE CONNECTOR INSERTION AND REPAIR ON THE PC BOARD. THIS IS REFERRED TO AS THE "CONNECTOR KEEP OUT ZONE" AND DOES NOT REPRESENT THE ACTUAL PERIMETER OF THE CONNECTOR. WHEN LAYING OUT A PC BOARD FOR CONNECTORS STACKED TOGETHER, USE A 10mm PROGRESSION.

CONVERT TO LEAD-FREE EC NS: UPE2003-2008 DRAWN: IBARRA 2007/11/26 CHECKED: INGHAM 2007/12/18 APPROVED: [Signature] 2007/12/21 (REV)	QUALITY SYMBOLS	GENERAL TOLERANCES (UNLESS SPECIFIED)	DIMENSION STYLE MM ONLY	SCALE 4:1	DESIGN UNITS METRIC	THIRD ANGLE PROJECTION																																				
	$\nabla=0$ $\nabla=0$ $\nabla=0$	<table border="1"> <tr><th></th><th>mm</th><th>INCH</th></tr> <tr><td>4 PLACES</td><td>± 0.15</td><td>± 0.006</td></tr> <tr><td>3 PLACES</td><td>± 0.20</td><td>± 0.008</td></tr> <tr><td>2 PLACES</td><td>± 0.25</td><td>± 0.010</td></tr> <tr><td>1 PLACE</td><td>± 0.30</td><td>± 0.012</td></tr> <tr><td>0 PLACE</td><td>± 0.35</td><td>± 0.014</td></tr> </table>		mm	INCH	4 PLACES	± 0.15	± 0.006	3 PLACES	± 0.20	± 0.008	2 PLACES	± 0.25	± 0.010	1 PLACE	± 0.30	± 0.012	0 PLACE	± 0.35	± 0.014	<table border="1"> <tr><th>DRAWN BY</th><th>DATE</th><th>TITLE</th></tr> <tr><td>MSANDBERG</td><td>2007/11/26</td><td>IMPACT 4 PAIR HEADER RIGHT GUIDED ASSEMBLY SALES DRAWING</td></tr> <tr><th>CHECKED BY</th><th>DATE</th><td></td></tr> <tr><td>JLAURX</td><td>2007/11/27</td><td></td></tr> <tr><th>APPROVED BY</th><th>DATE</th><td></td></tr> <tr><td>JLAURX</td><td>2010/10/15</td><td></td></tr> </table>	DRAWN BY	DATE	TITLE	MSANDBERG	2007/11/26	IMPACT 4 PAIR HEADER RIGHT GUIDED ASSEMBLY SALES DRAWING	CHECKED BY	DATE		JLAURX	2007/11/27		APPROVED BY	DATE		JLAURX	2010/10/15				
		mm	INCH																																							
	4 PLACES	± 0.15	± 0.006																																							
3 PLACES	± 0.20	± 0.008																																								
2 PLACES	± 0.25	± 0.010																																								
1 PLACE	± 0.30	± 0.012																																								
0 PLACE	± 0.35	± 0.014																																								
DRAWN BY	DATE	TITLE																																								
MSANDBERG	2007/11/26	IMPACT 4 PAIR HEADER RIGHT GUIDED ASSEMBLY SALES DRAWING																																								
CHECKED BY	DATE																																									
JLAURX	2007/11/27																																									
APPROVED BY	DATE																																									
JLAURX	2010/10/15																																									
<table border="1"> <tr><th>ANGULAR</th><th>± 1/2°</th></tr> </table>	ANGULAR	± 1/2°	<table border="1"> <tr><th>WATERMARK</th><td>SEE TABLE</td></tr> <tr><th>SIZE</th><td>D</td></tr> </table>	WATERMARK	SEE TABLE	SIZE	D	<table border="1"> <tr><th>DOCUMENT NO.</th><td>SD-76155-003</td></tr> <tr><th>SHEET NO.</th><td>1 OF 3</td></tr> </table>	DOCUMENT NO.	SD-76155-003	SHEET NO.	1 OF 3	THIS DRAWING CONTAINS INFORMATION THAT IS PROPRIETARY TO MOLEX INCORPORATED AND SHOULD NOT BE USED WITHOUT WRITTEN PERMISSION																													
ANGULAR	± 1/2°																																									
WATERMARK	SEE TABLE																																									
SIZE	D																																									
DOCUMENT NO.	SD-76155-003																																									
SHEET NO.	1 OF 3																																									

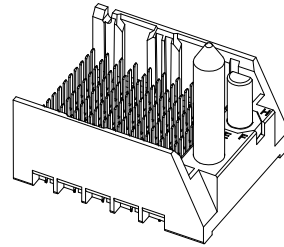
PART NUMBER TABLE

MATERIAL NUMBER	# OF COLUMNS	# OF DIFF PAIR	DIM 'A'	DIM 'B'	GUIDE RIGHT END WALL OPTION
76155-*3**	6	24	19.3	9.50	
76155-*8**	8	32	23.1	13.30	
76155-*1**	10	40	26.9	17.10	
76155-*6**	16	64	38.3	28.50	



GUIDE RIGHT  
END WALL  
OPTION

MATERIAL NUMBER	# OF COLUMNS	# OF DIFF PAIR	DIM 'A'	DIM 'B'	GUIDE RIGHT OPEN WALL OPTION
76155-*3**	6	24	17.9	9.50	
76155-*8**	8	32	21.7	13.30	
76155-*1**	10	40	25.5	17.10	
76155-*6**	16	64	36.9	28.50	



GUIDE RIGHT  
OPEN WALL  
OPTION

PART NUMBER LOGIC

76155-\*\*\*\*

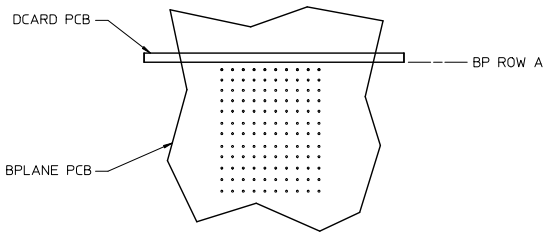
MODULE TYPE  
5 = GUIDE RIGHT, TIN  
9 = GUIDE RIGHT END WALL, TIN

# OF COLUMNS  
1 = 10 COL  
3 = 6 COL  
6 = 16 COL  
8 = 8 COL

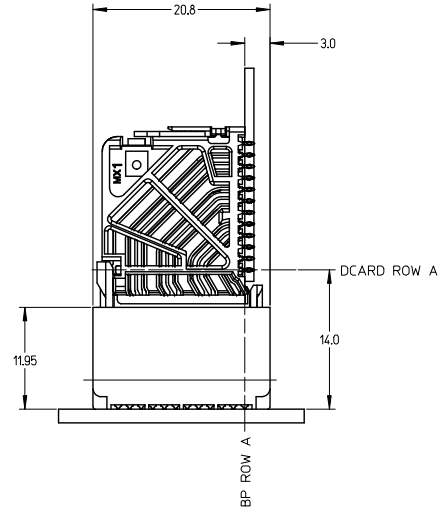
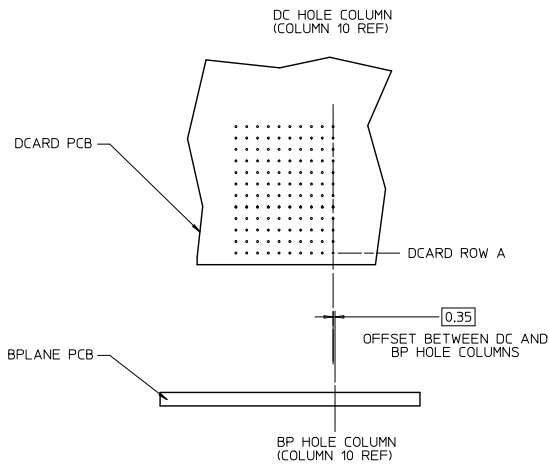
PIN LENGTH (P)  
3 = 4.50 (SHORT COMPLIANT, 0.46±0.05 PTH)  
4 = 4.90 (SHORT COMPLIANT, 0.46±0.05 PTH)  
5 = 5.50 (SHORT COMPLIANT, 0.46±0.05 PTH)  
6 = 4.50 (MICRO COMPLIANT, 0.39±0.05 PTH)  
7 = 4.90 (MICRO COMPLIANT, 0.39±0.05 PTH)  
8 = 5.50 (MICRO COMPLIANT, 0.39±0.05 PTH)

KEY ORIENTATION  
0 = NO KEY  
1 = A  
2 = B  
3 = C  
4 = D  
5 = E  
6 = F  
7 = G  
8 = H

SEE SHEET 1 EC NO: UCPE2013-2078 DRAWN BY: IBARRA 2012/11/28 CHKD BY: NIGRAM 2012/12/18 APPR: MILLER 2012/12/13	QUALITY SYMBOLS ∇=0 ∇=0 ∇=0	GENERAL TOLERANCES (UNLESS SPECIFIED)		DIMENSION STYLE MM ONLY		SCALE 3:1	DESIGN UNITS METRIC	THIRD ANGLE PROJECTION		
		mm		INCH		DRAWN BY MSANDBERG	DATE 2007/19/07	TITLE IMPACT 4 PAIR HEADER RIGHT GUIDED ASSEMBLY SALES DRAWING		
		4 PLACES ±---		±---		CHECKED BY JLAURX	DATE 2007/19/07			
		3 PLACES ±---		±---		APPROVED BY JLAURX	DATE 2010/10/15			
2 PLACES ±0.13		±---		MATERIAL NO.		DOCUMENT NO. SD-76155-003	SHEET NO. 2 OF 3			
1 PLACE ±0.25		±---		DRAFT WHERE APPLICABLE MUST REMAIN WITHIN DIMENSIONS		THIS DRAWING CONTAINS INFORMATION THAT IS PROPRIETARY TO MOLEX INCORPORATED AND SHOULD NOT BE USED WITHOUT WRITTEN PERMISSION				
0 PLACE ±		±		ANGULAR ±1/2°						



IMPACT 4 PAIR  
BOARD RELATIONSHIPS



SEE SHEET 1 EC NO: UCF2019-2078 DRAWN BY: IBARRA 2012/11/28 CHKD: BINGHAM 2012/12/18 APPR: MILLER 2012/12/31	QUALITY SYMBOLS ∇=0 ∇=0 ∇=0	GENERAL TOLERANCES (UNLESS SPECIFIED)		DIMENSION STYLE MM ONLY		SCALE 2:1	DESIGN UNITS METRIC	THIRD ANGLE PROJECTION	
		4 PLACES ± --- ± --- 3 PLACES ± --- ± --- 2 PLACES ± 0.13 ± --- 1 PLACE ± 0.25 ± --- 0 PLACE ± ±	mm INCH DRAWN BY: MSANDBERG 2007/19/07 CHECKED BY: JLAURX 2007/19/07 APPROVED BY: JLAURX 2010/10/15	TITLE IMPACT 4 PAIR HEADER RIGHT GUIDED ASSEMBLY SALES DRAWING		MATERIAL NO. DOCUMENT NO. SEE TABLE SD-76155-003		SHEET NO. 3 OF 3	
DRAFT WHERE APPLICABLE MUST REMAIN WITHIN DIMENSIONS		THIS DRAWING CONTAINS INFORMATION THAT IS PROPRIETARY TO MOLEX INCORPORATED AND SHOULD NOT BE USED WITHOUT WRITTEN PERMISSION							