

Excellent Integrated System Limited

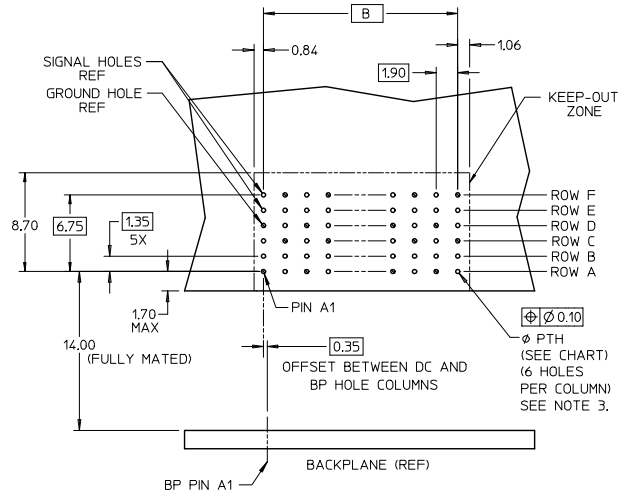
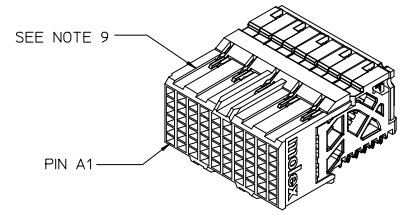
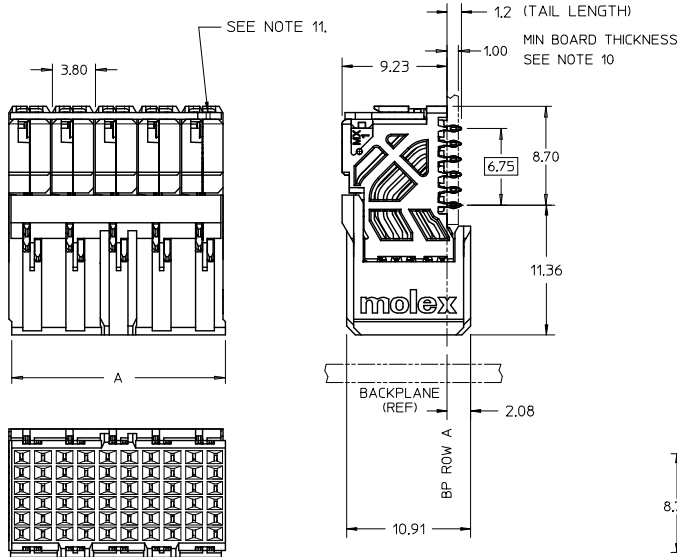
Stocking Distributor

Click to view price, real time Inventory, Delivery & Lifecycle Information:

[Molex Connector Corporation](#)
[0764601020](#)

For any questions, you can email us directly:

sales@integrated-circuit.com



NOTES:

1. MATERIALS: HOUSING - LIQUID CRYSTAL POLYMER (LCP), GLASS-FILLED, UL94V-0
TERMINALS - HIGH PERFORMANCE COPPER ALLOY
2. FINISH: 30μIN SELECTIVE GOLD IN CONTACT AREA, SELECTIVE TIN
ON PCB TAILS, NICKEL OVERALL.
3. REFER TO MOLEX PRODUCT SPEC PS-76060-999 FOR PERFORMANCE SPECIFICATIONS
AND ADDITIONAL PCB INFORMATION.
4. EACH SIGNAL WAFER CONTAINS 2 COLUMNS OF TERMINALS.
5. PRODUCT IS PACKAGED PER PK-70873-592.
6. THIS PART CONFORMS TO CLASS B REQUIREMENTS OF COSMETIC SPEC PS-45499-002.
7. REFER TO MOLEX SALES DRAWING SD-76455-001 FOR THE MATING HEADERS
AND SD-76450-001 FOR MATING RAM.
8. REFER TO MOLEX PCB ROUTING GUIDE AS-76060-990 FOR ANTIPAD AND ROUTING
RECOMMENDATIONS.
9. PART NUMBER 76460-1020 SHOWN ON DRAWING. KEYING FEATURES WILL CHANGE
WITH COLUMN SIZE.
10. MINIMUM BOARD THICKNESS IS 1.60 mm FOR COMPLIANT PIN FUNCTIONALITY.
11. THIS NOTCH IS A DIE NOTCH, IT IS SHOWN TO IDENTIFY IT'S PRESENCE, NOT IT'S POSITION.
(THIS WILL VARY WITH PART LENGTH), IT SERVES NO PURPOSE IN THE FINISHED ASSEMBLY.

DAUGHTERCARD HOLE PATTERN
(CONNECTOR SIDE)

ADDED NOTE 11. EC NO: UCP2014-4641 DRAWN BY: DRW/WHIPPLE 2014/05/20 CHKD BY: CHK/BJORGAN 2014/05/20 APPROV'D BY: APPR/S MILLER 2014/07/23	QUALITY SYMBOLS ▽=0 ▽=0 ▽=0	GENERAL TOLERANCES (UNLESS SPECIFIED)	DIMENSION STYLE		SCALE	DESIGN UNITS	THIRD ANGLE PROJECTION	
			mm	INCH	4:1	METRIC	☉	
REV	DESCRIPTION	4 PLACES ± --- ± --- 3 PLACES ± --- ± --- 2 PLACES ± 0.13 ± --- 1 PLACE ± 0.25 ± --- 0 PLACE ± --- ± ---	DRAWN BY		DATE	TITLE		
			TELO	2008/02/20	IMPACT 100 OHM DC 2 PAIR SIGNAL MODULE UNGUIDED SALES DRAWING			
REV	DESCRIPTION	ANGULAR ±1/2° DRAFT WHERE APPLICABLE MUST REMAIN WITHIN DIMENSIONS	CHECKED BY		DATE	DOCUMENT NO.		
			JLAURX	2008/02/20	SD-76460-001			
REV	DESCRIPTION	SIZE	APPROVED BY		DATE	SHEET NO.		
			JLAURX	2008/02/20	1 OF 2			
SEE CHART			THIS DRAWING CONTAINS INFORMATION THAT IS PROPRIETARY TO MOLEX INCORPORATED AND SHOULD NOT BE USED WITHOUT WRITTEN PERMISSION					

MATERIAL NUMBER	# OF COLUMNS	# OF DIFF PAIR	DIM 'A' MAX	DIM 'B'	PTH ϕ
76460-*010	10	20	19.00	17.10	0.46
76460-*016	16	32	30.40	28.50	+0.05
76460-*020	10	20	19.00	17.10	0.39
76460-*026	16	32	30.40	28.50	+0.05

76460-*0**

1 = OPEN LEAD-FREE

OF COLUMNS
 10 = 10 COL 0.46 PTH
 16 = 16 COL 0.46 PTH
 20 = 10 COL 0.39 PTH
 26 = 16 COL 0.39 PTH

SEE SHEET 1 EC NO: UCP2014-4841 DRAWN BY: 2014/05/20 CHK'D BY: 2014/05/20 APPR: MILLER 2014/07/23	QUALITY SYMBOLS 	GENERAL TOLERANCES (UNLESS SPECIFIED)		DIMENSION STYLE MM ONLY		SCALE 4:1	DESIGN UNITS METRIC	THIRD ANGLE PROJECTION	
		4 PLACES ± --- ± --- 3 PLACES ± --- ± --- 2 PLACES ± 0.13 ± --- 1 PLACE ± 0.25 ± --- 0 PLACE ± --- ± ---	mm INCH DRAWN BY: TELO DATE: 2008/02/20 CHECKED BY: JLAURX DATE: 2008/02/20 APPROVED BY: JLAURX DATE: 2008/02/20	TITLE IMPACT 100 OHM DC 2 PAIR SIGNAL MODULE UNGUIDED SALES DRAWING					MATERIAL NO. SEE TABLE
ANGULAR ±1/2°		DRAFT WHERE APPLICABLE MUST REMAIN WITHIN DIMENSIONS		SIZE C		THIS DRAWING CONTAINS INFORMATION THAT IS PROPRIETARY TO MOLEX INCORPORATED AND SHOULD NOT BE USED WITHOUT WRITTEN PERMISSION			