

Excellent Integrated System Limited

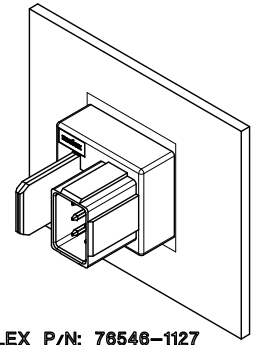
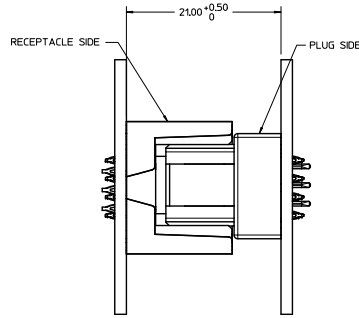
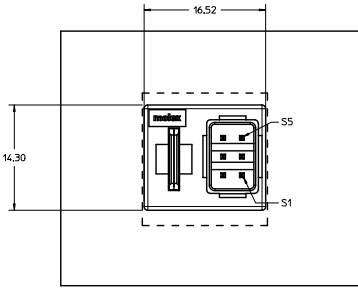
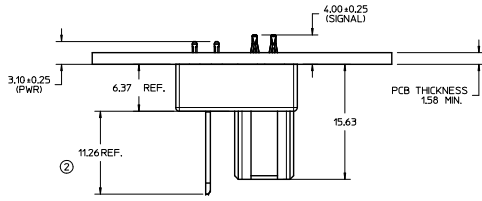
Stocking Distributor

Click to view price, real time Inventory, Delivery & Lifecycle Information:

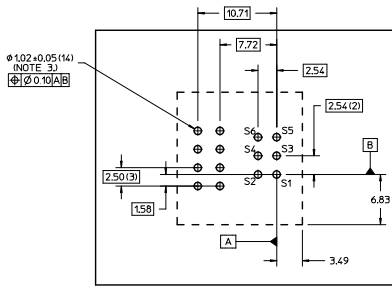
[Molex Connector Corporation](#)
[0765461127](#)

For any questions, you can email us directly:

sales@integrated-circuit.com



MOLEX P/N: 76546-1127



NOTES:

1. MATERIAL:
-HOUSINGS: LCP UL94 V-0, COLOR: BLACK.
-TERMINALS: COPPER ALLOY.
-PLATING: 0.000127 NICKEL OVERALL WITH 0.00254 SELECTIVE MATTE TIN ON TAILS. AND 0.000762 SELECTIVE GOLD ON CONTACT AREA.
2. PACKAGING ASSEMBLIES TO BE TRAY PACKED. STD. QUANTITY: TBD.
3. PCB BOARD REQUIRES SOLDER THRU HOLES. REFER TO PS-46436-100 FOR DETAILS.
4. PRODUCT SPEC: PS-46436-100.
5. APPLICATION SPEC: AS-46436-100.
6. SEE PRODUCT SPEC. FOR R&HS REQUIREMENTS.
7. ASSEMBLY MATES WITH MOLEX RECEPTACLE ASSEMBLY, P/N 46562-1127.

PRELIMINARY EC NO. LCP200-2269 2010/07/25 DRAWN: BKOSTIC 2010/07/25 CHKD: BKOSTIC 2010/07/25 APPR: APATEL 2010/07/25 REV: 2	QUALITY SYMBOLS	GENERAL TOLERANCES (UNLESS SPECIFIED)	DIMENSION STYLE	SCALE	DESIGN UNITS	THIRD ANGLE PROJECTION	
		mm INCH	MM ONLY	4:1	METRIC		
	4 PLACES ± 0.15	± 0.15 ± 0.005	DRAWN BY BKOSTIC	DATE 2010/03/25	TITLE VERTICAL PLUG HEADER		
	3 PLACES ± 0.25	± 0.25 ± 0.01	CHECKED BY	DATE	6S-1P		
	ANGULAR ± 1/2°	APPROVED BY APATEL	DATE 2010/04/29	TEN60 POWER FAMILY			
	DRAFT WHERE APPLICABLE MUST REMAIN WITHIN DIMENSIONS	MATERIAL NO. 76546-1127	MOLEX	DOCUMENT NO. SD-76546-1127	MOLEX INCORPORATED		
		SIZE D	THIS DRAWING CONTAINS INFORMATION THAT IS PROPRIETARY TO MOLEX INCORPORATED AND SHOULD NOT BE USED WITHOUT WRITTEN PERMISSION			SHEET NO. 1 OF 1	