

Excellent Integrated System Limited

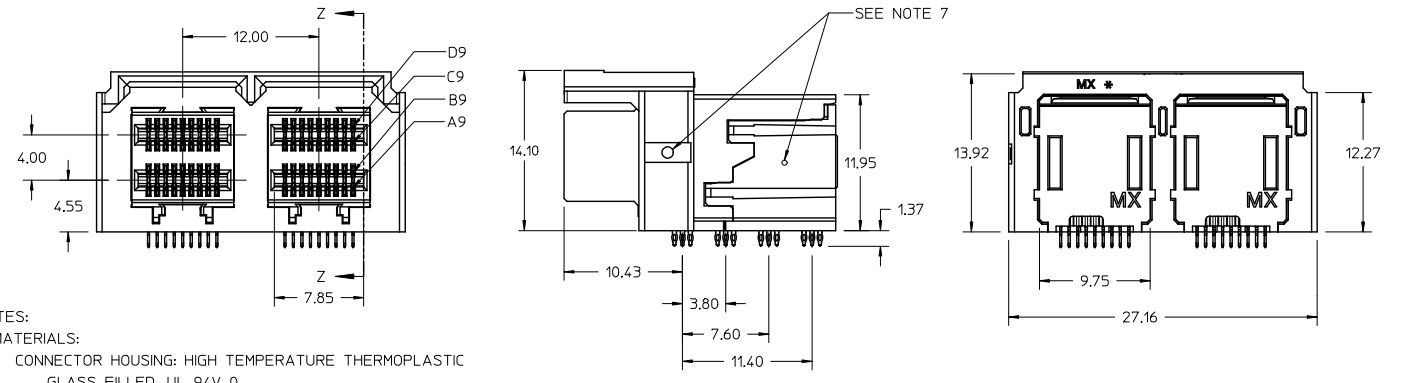
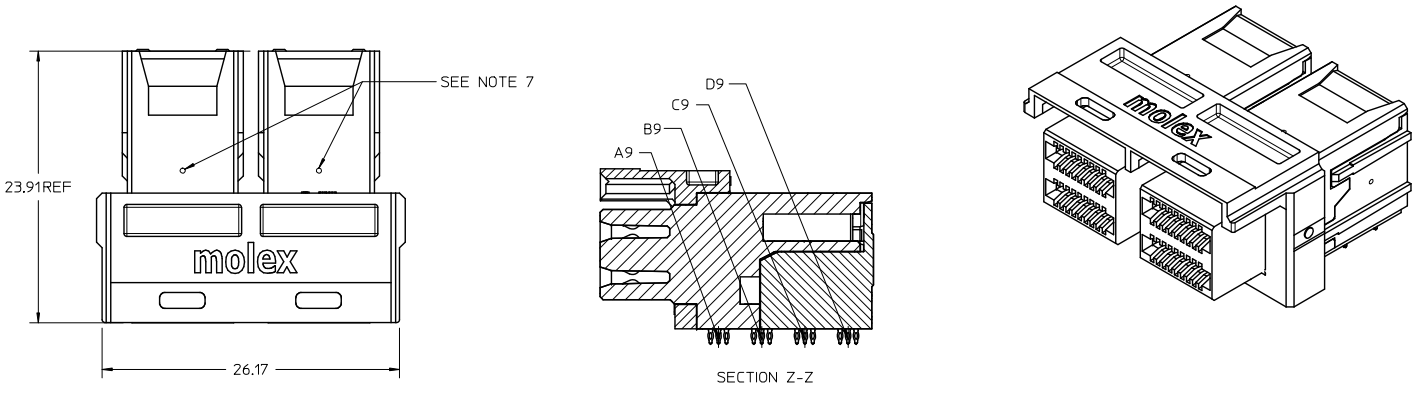
Stocking Distributor

Click to view price, real time Inventory, Delivery & Lifecycle Information:

[Molex Connector Corporation](#)
[0768670002](#)

For any questions, you can email us directly:

sales@integrated-circuit.com

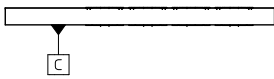
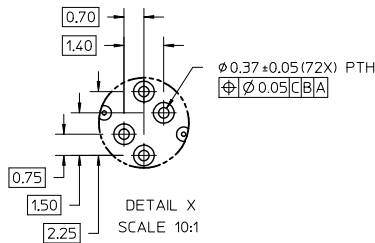
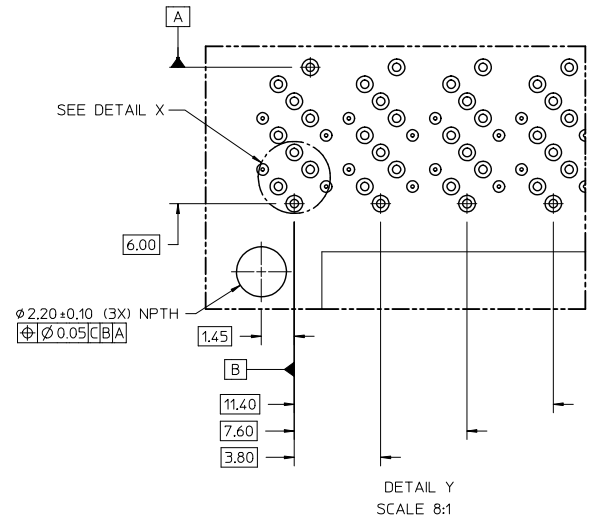
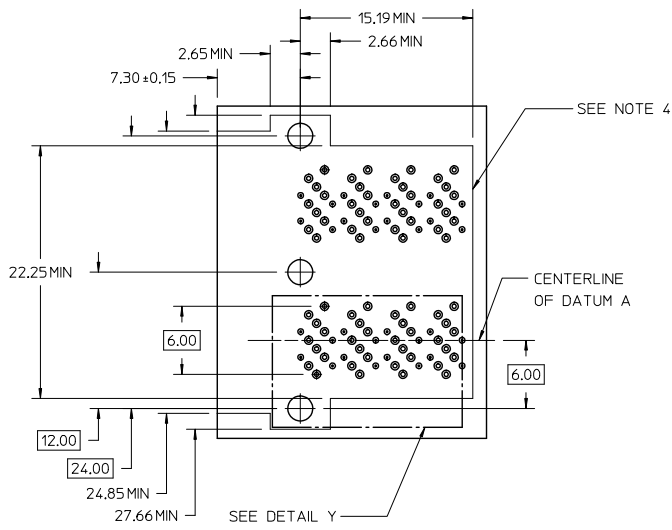


- NOTES:
- MATERIALS:
CONNECTOR HOUSING: HIGH TEMPERATURE THERMOPLASTIC
GLASS FILLED, UL 94V-0
TERMINALS: COPPER ALLOY
 - FINISHES:
CONTACT AREA: 0.76µM MIN GOLD OVER 2.54µM MIN NICKEL
TAIL AREA:
OPTION 1: 0.76µM-152µM TIN/LEAD (90/10) OVER 2.54µM MIN NICKEL
OPTION 2: 0.76µM-152µM TIN (LEAD FREE) OVER 2.54µM MIN NICKEL
 - PRODUCT SPECIFICATION: PS-76867-001
 - PACKAGING SPECIFICATION: PK-76867-001
 - MATES WITH: MOLEX CABLE SERIES 100171, 100189, 100190 & 100191
 - MOUNTING HARDWARE NOT SUPPLIED, REFER TO APPLICATION SPECIFICATION AS-76867-001
 - APPROXIMATE MOLDING GATE LOCATION
 - PLUG MODULE PCB LAYOUT REFER TO SD-76866-9900

PLATING OPT.	MATERIAL NO.
OPTION 1	76867-0002
OPTION 2	76867-0012

REVID GATE LOCATION REC. NO: UCP2015-4516 DRAWN: MCLELL 2015/04/28 CHKD: MCLELLAND 2015/04/28 APPR: MCLELL 2015/04/28	QUALITY SYMBOLS ∇=0 ∇=0 ∇=0	GENERAL TOLERANCES (UNLESS SPECIFIED)		DIMENSION STYLE MM ONLY		SCALE 4:1	DESIGN UNITS METRIC	THIRD ANGLE PROJECTION		
		4 PLACES ± --- ± ---	3 PLACES ± --- ± .005	2 PLACES ± 0.13 ± .010	1 PLACE ± 0.25 ± ---	0 PLACE ± ±	DRAWN BY KLANG	DATE 2009/05/15	TITLE IPASS PLUS HD 1X2 ASSEMBLY INTERNAL	
		ANGULAR ± 1/2°		DRAFT WHERE APPLICABLE MUST REMAIN WITHIN DIMENSIONS		APPROVED BY MBANAK I S		DATE 2010/11/17	molex	
		MATERIAL NO. SEE CHART		DOCUMENT NO. SD-76867-002		SHEET NO. 1 OF 3		THIS DRAWING CONTAINS INFORMATION THAT IS PROPRIETARY TO MOLEX INCORPORATED AND SHOULD NOT BE USED WITHOUT WRITTEN PERMISSION		

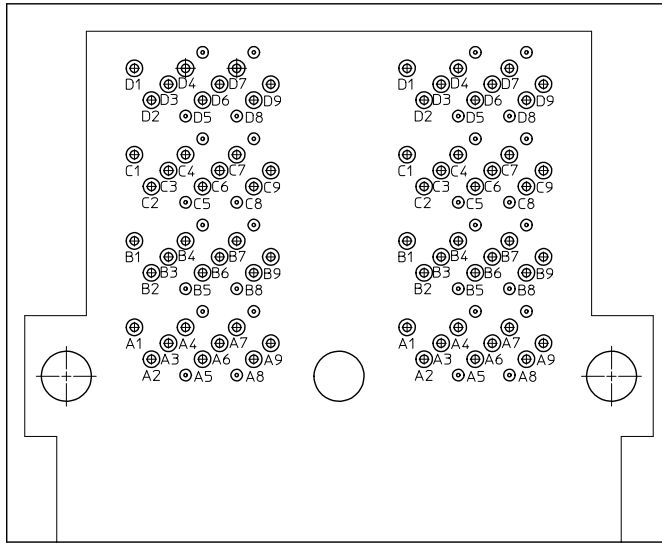
RECOMMENDED FOOTPRINT



- NOTES:
1. RECOMMENDED DRILL SIZE AND ANNULAR RING FOR A 0.37ϕ FINISHED PTH - REFER TO APPLICATION SPECIFICATION AS-76867-001
 2. MINIMUM RECOMMENDED SPACING: 14.00MM
 3. MINIMUM PCB THICKNESS: 1.57MM
 4. CONNECTOR KEEP OUT AREA

SEE SHEET 1 EC NO: UCP2015-4516 DRAWN: MICHELL 2015/04/28 CHKD: MICHELL AND 2015/04/28 APPR: MICHELL 2015/04/28	QUALITY SYMBOLS ▽=0 ▽=0 ▽=0	GENERAL TOLERANCES (UNLESS SPECIFIED)		DIMENSION STYLE		SCALE	DESIGN UNITS	THIRD ANGLE PROJECTION			
				MM ONLY		4:1	METRIC				
				mm	INCH	DRAWN BY	DATE	TITLE			
				4 PLACES ± ---	± ---	KLANG	2009/05/15	IPASS PLUS HD 1X2 ASSEMBLY INTERNAL molex			
		3 PLACES ± ---	± .005	CHECKED BY	DATE						
		2 PLACES ± 0.13	± .010	APPROVED BY		DATE					
		1 PLACE ± 0.25	± ---	MBANAKI S		2010/11/17					
		0 PLACE ±	±	MATERIAL NO.		DOCUMENT NO.			SHEET NO.		
		ANGULAR ± 1/2°		SEE CHART		SD-76867-002		2 OF 3			
		DRAFT WHERE APPLICABLE MUST REMAIN WITHIN DIMENSIONS		THIS DRAWING CONTAINS INFORMATION THAT IS PROPRIETARY TO MOLEX INCORPORATED AND SHOULD NOT BE USED WITHOUT WRITTEN PERMISSION							

FOOTPRINT CIRCUIT IDENTIFICATION



SEE SHEET 1 DEC NO: JCP2015-4516 DRAWN: MCLELL 2015/04/28 CHKD: MCLELLAND 2015/04/28 APPR: MCLELL 2015/04/28	QUALITY SYMBOLS ▽=0 ▽=0 ▽=0	GENERAL TOLERANCES (UNLESS SPECIFIED)		DIMENSION STYLE MM ONLY		SCALE 8:1	DESIGN UNITS METRIC	THIRD ANGLE PROJECTION
		4 PLACES ± --- ± --- 3 PLACES ± --- ± .005 2 PLACES ± 0.13 ± .010 1 PLACE ± 0.25 ± --- 0 PLACE ± ±	mm INCH	DRAWN BY KLANG	DATE 2009/05/15	TITLE IPASS PLUS HD 1X2 ASSEMBLY INTERNAL		
REV B10	DESCRIPTION	ANGULAR ±1/2°		APPROVED BY MBANAKIS		DATE 2010/11/17	DOCUMENT NO. SD-76867-002	
		DRAFT WHERE APPLICABLE MUST REMAIN WITHIN DIMENSIONS		MATERIAL NO. SEE CHART		SHEET NO. 3 OF 3		THIS DRAWING CONTAINS INFORMATION THAT IS PROPRIETARY TO MOLEX INCORPORATED AND SHOULD NOT BE USED WITHOUT WRITTEN PERMISSION