

## Excellent Integrated System Limited

Stocking Distributor

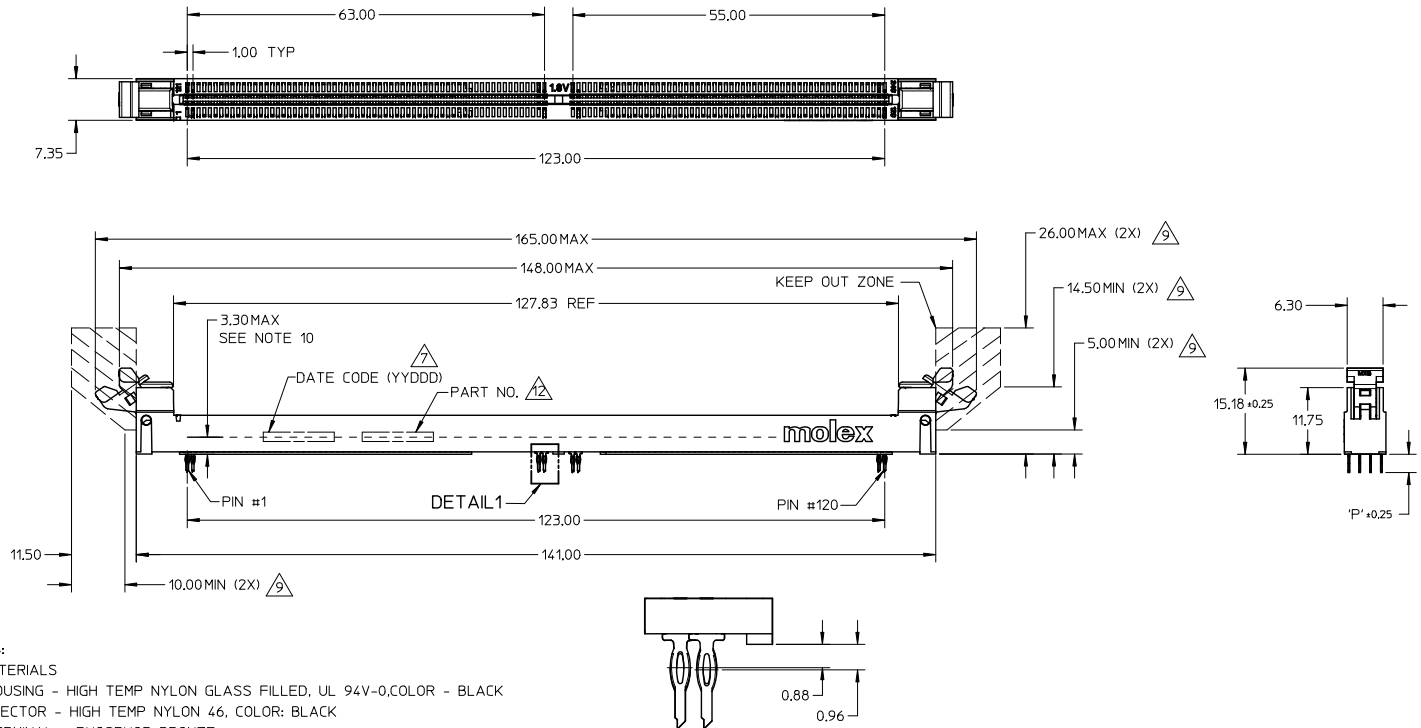
Click to view price, real time Inventory, Delivery & Lifecycle Information:

[Molex Connector Corporation](#)  
[0780658002](#)

For any questions, you can email us directly:

[sales@integrated-circuit.com](mailto:sales@integrated-circuit.com)

10 9 8 7 6 5 4 3 2 1



NOTES:

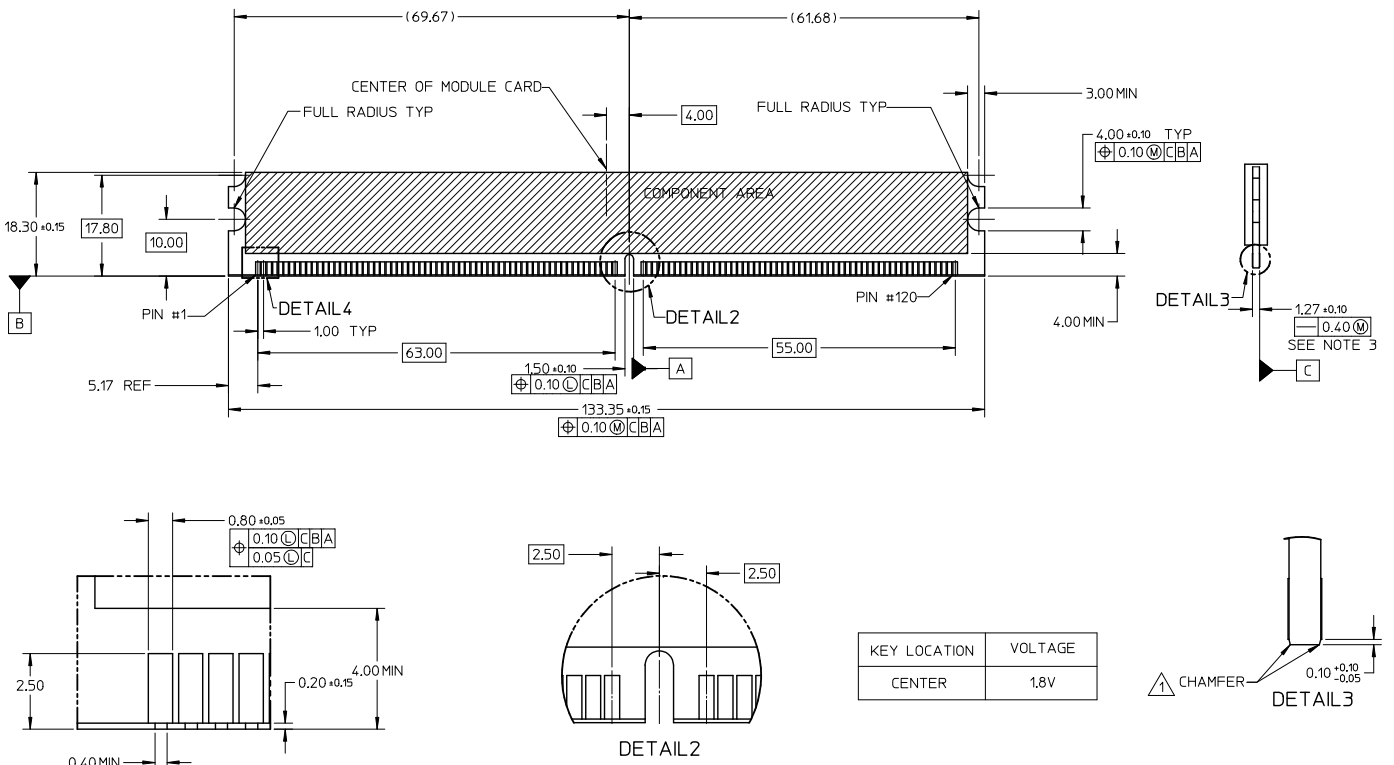
- MATERIALS  
HOUSING - HIGH TEMP NYLON GLASS FILLED, UL 94V-0, COLOR - BLACK  
EJECTOR - HIGH TEMP NYLON 46, COLOR: BLACK  
TERMINAL - PHOSPHOR BRONZE
- PLATING - SEE TABLE IN SHEET 4.
- CARD SLOT ACCEPTS 1.27±0.10MM MODULE THICKNESS.
- RECOMMENDED MODULE LAYOUT SHALL BE AS PER JEDEC MO-237.
- REFER TO PRODUCT SPEC. PS-78065-100 FOR PERFORMANCE SPECIFICATIONS.
- PRODUCT SHALL BE PACKED IN TRAY.
- PRODUCT SHALL HAVE DATE CODE STAMPED ON SIDE OF HOUSING.
- KEEP OUT AREA IS THE AREA WHERE THE CONNECTOR IS MOUNTED ONTO THE PCB WHICH DOES NOT INCLUDE THE LATCH.
- KEEP OUT ZONE AS PER JEDEC S0-001.
- DIMM MODULE SEATING PLANE FROM TOP OF PCB.
- CONTACT MOLEX FOR AVAILABILITY OF PRODUCT OPTIONS.
- PART NUMBER SHALL BE MARKED LEGIBLY AS 78065-\*\*\*\*.

OBS. TIN/LEAD P/N EC NO. S2014-0373 DRAWN: SKANG CHK: CHILONG APP: RILONG	REV. DESCRIPTION B	QUALITY SYMBOLS √=0 √=0 √=0	GENERAL TOLERANCES (UNLESS SPECIFIED)		DIMENSION STYLE MM ONLY		SCALE NTS	DESIGN UNITS METRIC	THIRD ANGLE PROJECTION
			mm	INCH	DRAWN BY V MANICKAM	DATE 2006/04/11	TITLE VLP DDR2 DIMM, 1MM PITCH 240 CKTS, VERT. PRESSFIT		
4 PLACES ± --- ± ---			DRAWN BY		DATE		DOCUMENT NO. SD-78065-001		
3 PLACES ± --- ± ---			CHECKED BY		DATE		SHEET NO. 1 OF 4		
2 PLACES ± 0.20 ± ---			APPROVED BY		DATE		THIS DRAWING CONTAINS INFORMATION THAT IS PROPRIETARY TO MOLEX INCORPORATED AND SHOULD NOT BE USED WITHOUT WRITTEN PERMISSION		
1 PLACE ± --- ± ---			MATERIAL NO.		SEE TABLE				
0 PLACE ± --- ± ---			ANGULAR ± 5 °		DRAFT WHERE APPLICABLE MUST REMAIN WITHIN DIMENSIONS				

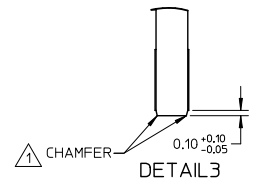
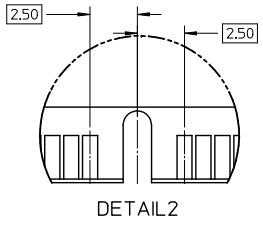
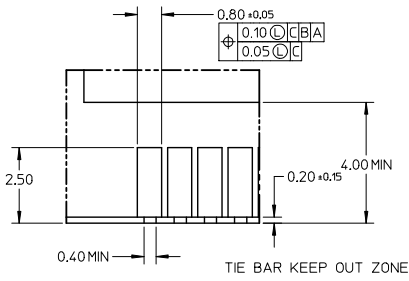
9 8 7 6 5 4 3 2 1

10 9 8 7 6 5 4 3 2 1

RECOMMENDED MODULE LAYOUT



KEY LOCATION	VOLTAGE
CENTER	1.8V



NOTES:  
 △ MODULE CARD USED FOR TESTS ARE WITH 0.10MM CHAMFER.

OBS. TIN/LEAD P/N EC. NO. S2014-0373	DRAWN BY SKANG	DATE 2013/10/14	DESCRIPTION	QUALITY SYMBOLS	GENERAL TOLERANCES (UNLESS SPECIFIED)		DIMENSION STYLE		SCALE	DESIGN UNITS	THIRD ANGLE PROJECTION
					mm	INCH	MM ONLY	METRIC			
REV B	CHKD BY CHIKHLONG	DATE 2014/01/27	APPR. BY MLONG	DATE 2014/02/06	4 PLACES	± ---	± ---	DRAWN BY	DATE	TITLE	DOCUMENT NO.
					3 PLACES	± ---	± ---	VMANICKAM	2006/04/11	VLP DDR2 DIMM, 1MM PITCH 240 CKTS, VERT. PRESSFIT	
					2 PLACES	± 0.20	± ---	CHECKED BY	DATE		SHEET NO. 2 OF 4
					1 PLACE	± ---	± ---	SHLENI	2006/06/22		
					0 PLACE	± ---	± ---	APPROVED BY	DATE		
								SRRAMESH	2006/06/22		
						ANGULAR ± 5 °		MATERIAL NO.			
						DRAFT WHERE APPLICABLE MUST REMAIN WITHIN DIMENSIONS		SEE TABLE			
								SIZE			
								THIS DRAWING CONTAINS INFORMATION THAT IS PROPRIETARY TO MOLEX INCORPORATED AND SHOULD NOT BE USED WITHOUT WRITTEN PERMISSION			

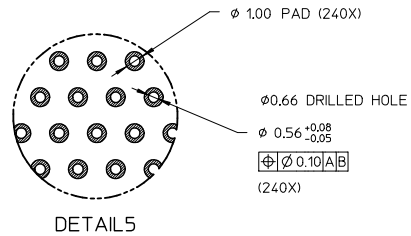
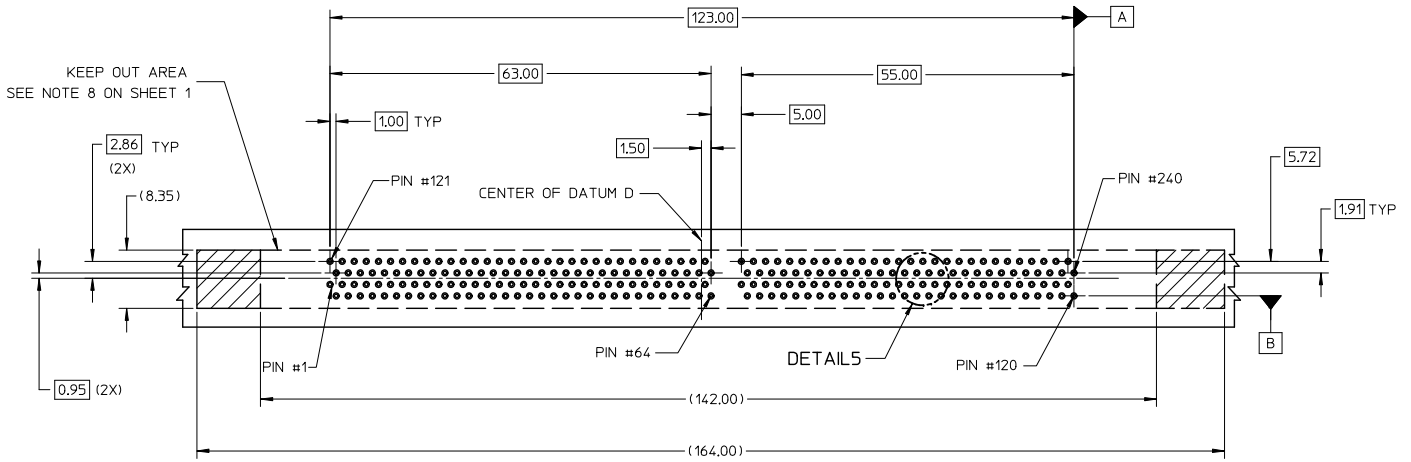
9 8 7 6 5 4 3 2 1

10 9 8 7 6 5 4 3 2 1

F  
E  
D  
C  
B  
A

F  
E  
D  
C  
B  
A

(SEE RECOMMENDED THICKNESS IN TABLE)  
RECOMMEND PCB LAYOUT  
CONNECTOR SIDE



OBS TIN/LEAD P/N EC NO: S2014-0373 DRAWN: SKANG CHECKED: LONG APPROVED: LONG	REV B	DESCRIPTION	QUALITY SYMBOLS	GENERAL TOLERANCES (UNLESS SPECIFIED)		DIMENSION STYLE MM ONLY		SCALE NTS	DESIGN UNITS METRIC	THIRD ANGLE PROJECTION
			$\nabla=0$	4 PLACES	mm	INCH	DRAWN BY VMANICKAM	DATE 2006/04/11	TITLE VLP DDR2 DIMM, 1MM PITCH 240 CKTS, VERT. PRESSFIT	
			$\nabla=0$	3 PLACES	$\pm$	$\pm$	CHECKED BY SHLENI	DATE 2006/06/22		
			$\nabla=0$	2 PLACES	$\pm 0.20$	$\pm$	APPROVED BY SRRAMESH	DATE 2006/06/22		
				1 PLACE	$\pm$	$\pm$				
				0 PLACE	$\pm$	$\pm$				
				ANGULAR $\pm 5^\circ$		MATERIAL NO.		DOCUMENT NO.	SHEET NO.	
				DRAFT WHERE APPLICABLE MUST REMAIN WITHIN DIMENSIONS		SEE TABLE		SD-78065-001	3 OF 4	
						SIZE A3		THIS DRAWING CONTAINS INFORMATION THAT IS PROPRIETARY TO MOLEX INCORPORATED AND SHOULD NOT BE USED WITHOUT WRITTEN PERMISSION		

9 8 7 6 5 4 3 2 1

10 9 8 7 6 5 4 3 2 1

PART NO.	VOLTAGE KEY POS.	VOLTAGE	DIM 'P'	RECOMMENDED PCB THICKNESS	CONTACT AREA PLATING OPTION	SOLDERTAIL PLATING OPTION	LATCH COLOR
78065-8001	CENTER	1.8V	3.30	3.60	0.76MM/304N MIN GOLD OVER 1.27MM/504N MIN NICKEL UNDERPLATE	0.38-1.52MM/15-604N TIN OVER 1.27MM/504N MIN NICKEL UNDERPLATE	BLACK
78065-8002			4.20	4.57			

OBS TIN/LEAD P/N EC NO: S2014-0373 DRAWN:SKANG CHK:CHILONG APP:RILONG	2013/10/14 2014/03/27 2014/02/06	DESCRIPTION REV	QUALITY SYMBOLS	GENERAL TOLERANCES (UNLESS SPECIFIED)	DIMENSION STYLE	SCALE	DESIGN UNITS	THIRD ANGLE PROJECTION
				mm INCH	MM ONLY	NTS	METRIC	
			√=0	4 PLACES ± --- ± ---	DRAWN BY DATE	TITLE VLP DDR2 DIMM, 1MM PITCH 240 CKTS, VERT. PRESSFIT	DOCUMENT NO. SD-78065-001	SHEET NO. 4 OF 4
			√=0	3 PLACES ± --- ± ---	VMANICKAM 2006/04/11			
√=0	2 PLACES ± 0.20 ± ---	CHECKED BY DATE						
√=0	1 PLACE ± --- ± ---	SHLENI 2006/06/22						
			0 PLACE ± --- ± ---	APPROVED BY DATE				
				ANGULAR ± 5 °	MATERIAL NO.			
				DRAFT WHERE APPLICABLE MUST REMAIN WITHIN DIMENSIONS	SEE TABLE			
					SIZE A3	THIS DRAWING CONTAINS INFORMATION THAT IS PROPRIETARY TO MOLEX INCORPORATED AND SHOULD NOT BE USED WITHOUT WRITTEN PERMISSION		

9 8 7 6 5 4 3 2 1