

Excellent Integrated System Limited

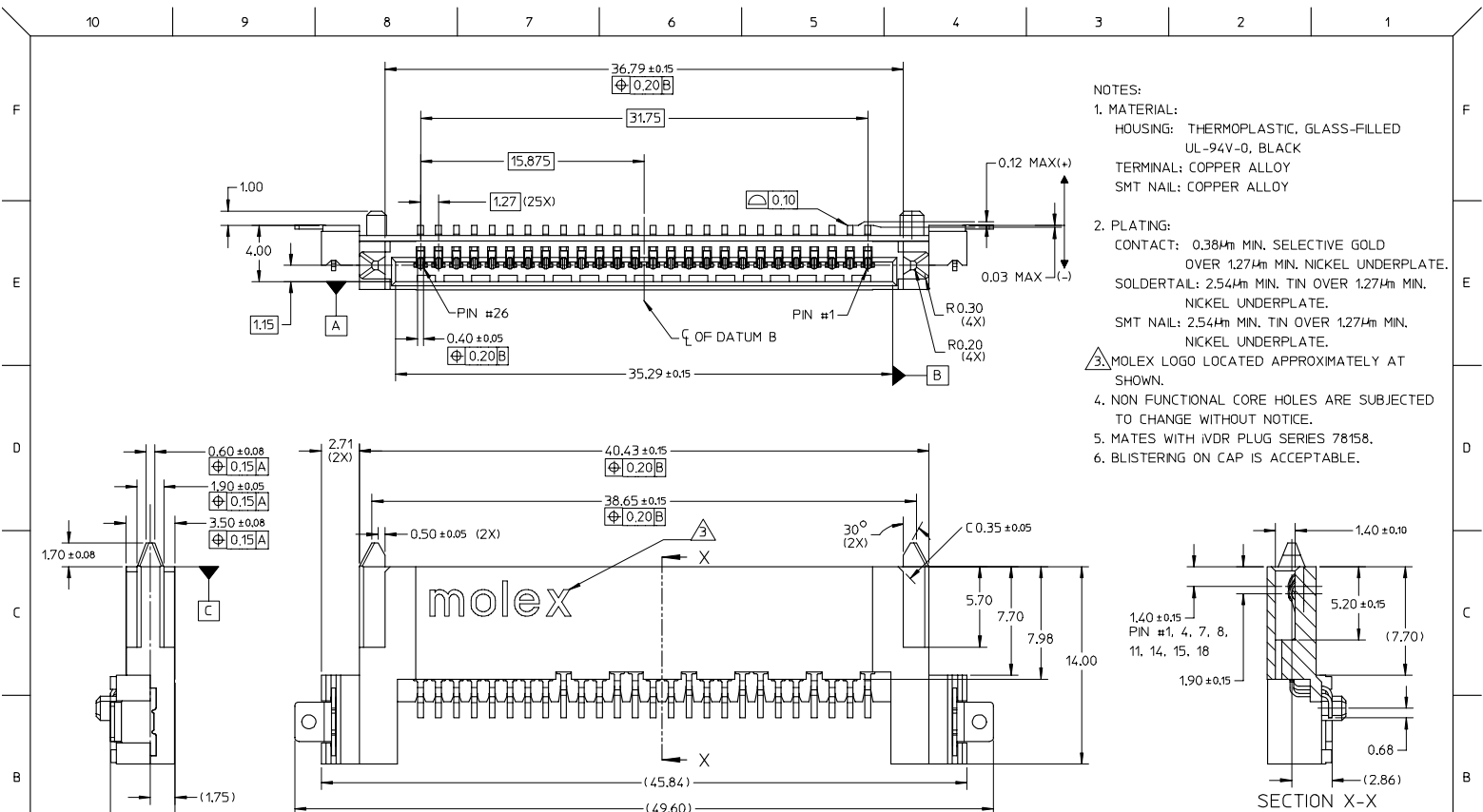
Stocking Distributor

Click to view price, real time Inventory, Delivery & Lifecycle Information:

[Molex Connector Corporation](#)
[0781590001](#)

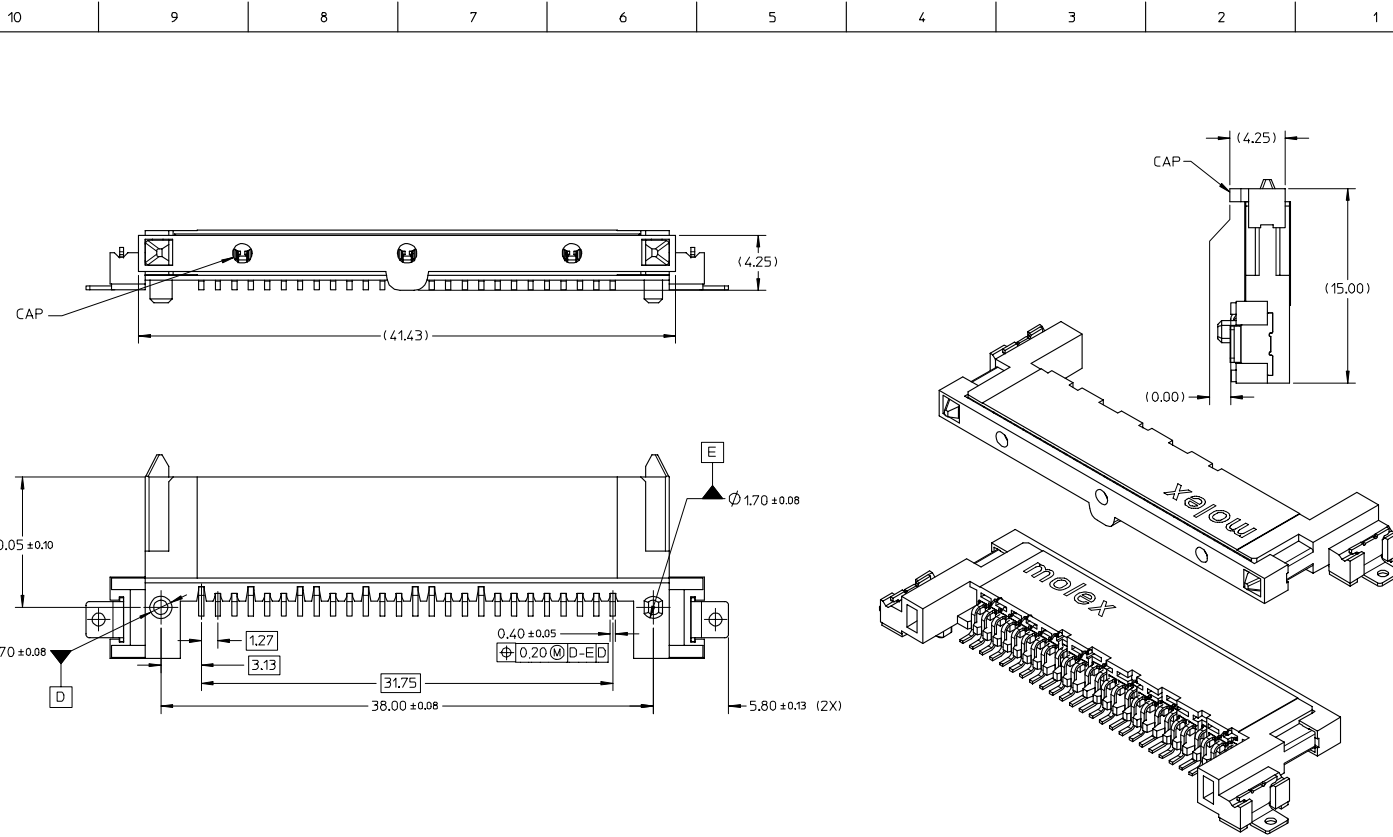
For any questions, you can email us directly:

sales@integrated-circuit.com

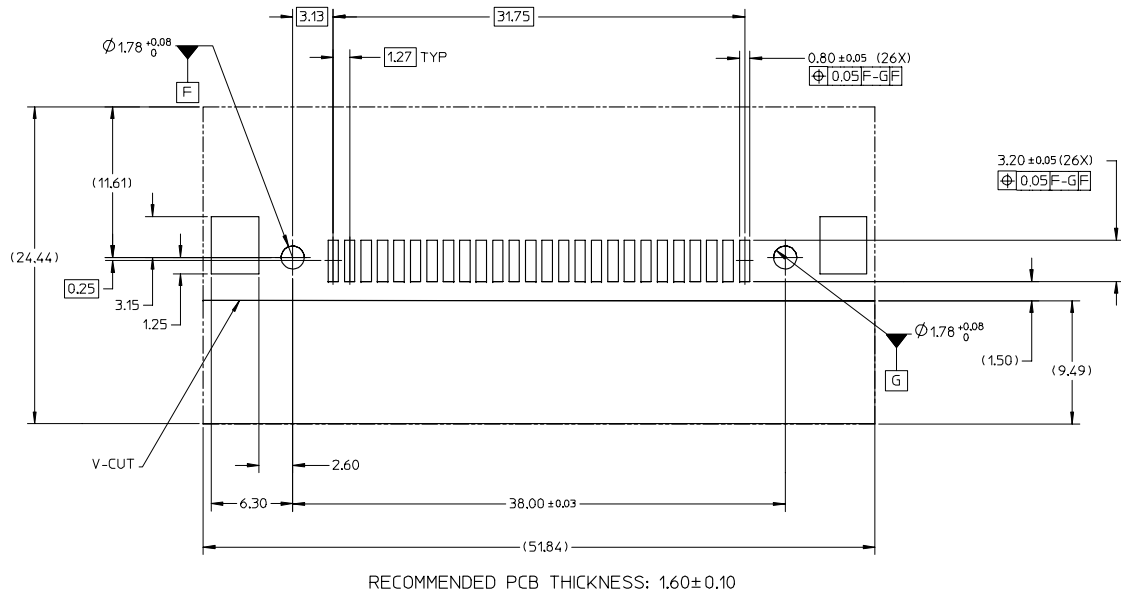


- NOTES:
- MATERIAL:
HOUSING: THERMOPLASTIC, GLASS-FILLED UL-94V-0, BLACK
TERMINAL: COPPER ALLOY
SMT NAIL: COPPER ALLOY
 - PLATING:
CONTACT: 0.38µm MIN. SELECTIVE GOLD OVER 1.27µm MIN. NICKEL UNDERPLATE. NICKEL UNDERPLATE.
SOLDERTAIL: 2.54µm MIN. TIN OVER 1.27µm MIN. NICKEL UNDERPLATE.
SMT NAIL: 2.54µm MIN. TIN OVER 1.27µm MIN. NICKEL UNDERPLATE.
 - MOLEX LOGO LOCATED APPROXIMATELY AT SHOWN.
 - NON FUNCTIONAL CORE HOLES ARE SUBJECTED TO CHANGE WITHOUT NOTICE.
 - MATES WITH IVDR PLUG SERIES 78158.
 - BLISTERING ON CAP IS ACCEPTABLE.

RELEASE EC NO: S2008-0173 DRAWN: SCHEONG CHKD: CGH APPR: KCLING 2007/09/15 2007/09/15 2007/09/15	DESCRIPTION CONN RCPT 26POS 1.27MM R/A SMD	QUALITY SYMBOLS	GENERAL TOLERANCES (UNLESS SPECIFIED) <table border="1"> <tr> <th></th> <th>mm</th> <th>INCH</th> </tr> <tr> <td>4 PLACES</td> <td>± 0.15</td> <td>± 0.006</td> </tr> <tr> <td>3 PLACES</td> <td>± 0.20</td> <td>± 0.008</td> </tr> <tr> <td>2 PLACES</td> <td>± 0.25</td> <td>± 0.010</td> </tr> <tr> <td>1 PLACE</td> <td>± 0.30</td> <td>± 0.012</td> </tr> </table>		mm	INCH	4 PLACES	± 0.15	± 0.006	3 PLACES	± 0.20	± 0.008	2 PLACES	± 0.25	± 0.010	1 PLACE	± 0.30	± 0.012	DIMENSION STYLE MM ONLY	SCALE NTS	DESIGN UNITS METRIC	THIRD ANGLE PROJECTION
				mm	INCH																	
		4 PLACES		± 0.15	± 0.006																	
		3 PLACES		± 0.20	± 0.008																	
2 PLACES	± 0.25	± 0.010																				
1 PLACE	± 0.30	± 0.012																				
DRAFT WHERE APPLICABLE MUST REMAIN WITHIN DIMENSIONS	MATERIAL NO. 78159-0001	DRAWN BY SCHEONG	DATE 2007/08/31	TITLE 1.27MM PITCH, 26 CKTS R/A, SMT IVDR RECEPTACLE	MOLEX INCORPORATED	SHEET NO. 1 OF 4																
REV A	SIZE A3	THIS DRAWING CONTAINS INFORMATION THAT IS PROPRIETARY TO MOLEX INCORPORATED AND SHOULD NOT BE USED WITHOUT WRITTEN PERMISSION																				



RELEASE EC NO: S2008-0173 2007/09/21 DRWNSCHEONG 2007/09/25 CHKDCGPH 2007/09/25 APPRKLING	DESCRIPTION REV A	QUALITY SYMBOLS	GENERAL TOLERANCES (UNLESS SPECIFIED) mm INCH 4 PLACES ± --- ± --- 3 PLACES ± --- ± --- 2 PLACES ± 0.20 ± --- 1 PLACE ± --- ± --- ANGULAR ± 3 °	DIMENSION STYLE MM ONLY	SCALE NTS	DESIGN UNITS METRIC	THIRD ANGLE PROJECTION
		DRAWN BY SCHEONG		DATE 2007/08/31	TITLE 1.27MM PITCH, 26 CKTS R/A, SMT IVDR RECEPTACLE		
		CHECKED BY CGOH		DATE 2007/09/17	MOLEX INCORPORATED		
		APPROVED BY KCLING		DATE 2007/09/18	MATERIAL NO. 78159-0001	DOCUMENT NO. SD-78159-001	SHEET NO. 2 OF 4
DRAFT WHERE APPLICABLE MUST REMAIN WITHIN DIMENSIONS				THIS DRAWING CONTAINS INFORMATION THAT IS PROPRIETARY TO MOLEX INCORPORATED AND SHOULD NOT BE USED WITHOUT WRITTEN PERMISSION			

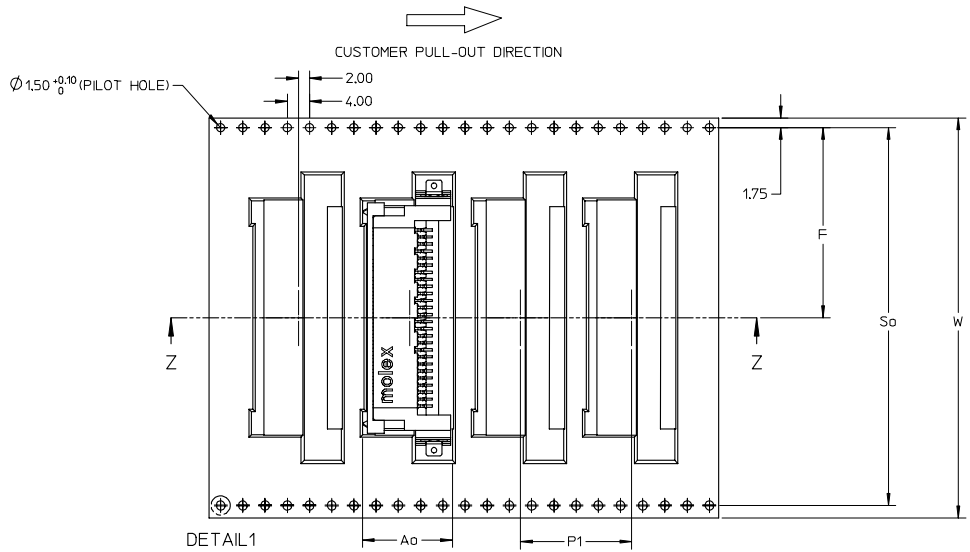
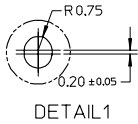


RECOMMENDED PCB THICKNESS: 1.60±0.10

RELEASE EC NO: S2008-0173 DRAWN: SCHEONG CHKD: CGOH APPR: KCLING 2007/09/21 2007/09/25 2007/09/25	DESCRIPTION REV: A	QUALITY SYMBOLS ▽=0 ▽=0	GENERAL TOLERANCES (UNLESS SPECIFIED)		DIMENSION STYLE MM ONLY		SCALE NTS	DESIGN UNITS METRIC	THIRD ANGLE PROJECTION
		4 PLACES ± --- ± --- 3 PLACES ± --- ± --- 2 PLACES ± 0.20 ± --- 1 PLACE ± --- ± ---	mm INCH	DRAWN BY SCHEONG DATE 2007/08/31	TITLE 1.27MM PITCH, 26 CKTS R/A, SMT IVDR RECEPTACLE				
		ANGULAR ± 3 °		CHECKED BY CGOH DATE 2007/09/17	MOLEX INCORPORATED				
		DRAFT WHERE APPLICABLE MUST REMAIN WITHIN DIMENSIONS		APPROVED BY KCLING DATE 2007/09/18	MATERIAL NO. 78159-0001	DOCUMENT NO. SD-78159-001	SHEET NO. 3 OF 4		

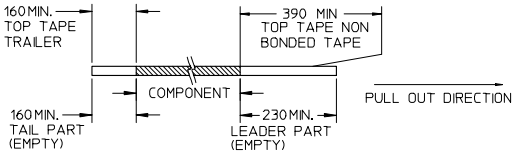
EMBOSSED CARRIER TAPE PACKAGING DETAILS

Ao	16.18±0.10
Bo	51.30±0.10
Ko	6.35±0.10
F	34.20±0.15
P1	20.00±0.10
So	68.40±0.10
W	72.00±0.30

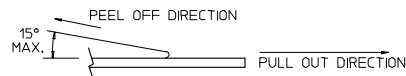


NOTES:

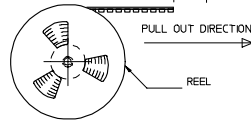
1. LEADER AND TRAILER TAPE



2. PEELING OFF FORCE OF THE TOP TAPE: 20 - 80gf. (PEELING DIRECTION AS SHOWN IN FOLLOWING FIGURE)



- 3. TAPE AND REEL SPECIFICATION IS AS PER EIA-481.
- 4. TAPE AND REEL QUANTITY : 500 PCS/ REEL.
- 5. THE TAPE IS TREATED FOR ANTI-STATIC.



RELEASE EC NO: S2008-0173 DRAWNS: SCHEONG CHKD: CGOH APPROX: KCL ING	2007/09/21 2007/09/25 2007/09/25	QUALITY SYMBOLS ▽=0 ▽=0	GENERAL TOLERANCES (UNLESS SPECIFIED)		DIMENSION STYLE MM ONLY		SCALE NTS	DESIGN UNITS METRIC	THIRD ANGLE PROJECTION			
			4 PLACES ± --- ± ---	3 PLACES ± --- ± ---	2 PLACES ± 0.20 ± ---	1 PLACE ± --- ± ---	mm	INCH	DRAWN BY SCHEONG	DATE 2007/08/31	TITLE 1.27MM PITCH, 26 CKTS R/A, SMT IVDR RECEPTACLE	
			ANGULAR ± 3 °				DRAFT WHERE APPLICABLE MUST REMAIN WITHIN DIMENSIONS		CHECKED BY CGOH	DATE 2007/09/17	APPROVED BY KCL ING	DATE 2007/09/18
			MATERIAL NO. 78159-0001		DOCUMENT NO. SD-78159-001		SHEET NO. 4 OF 4		MOLEX INCORPORATED			