

## Excellent Integrated System Limited

Stocking Distributor

Click to view price, real time Inventory, Delivery & Lifecycle Information:

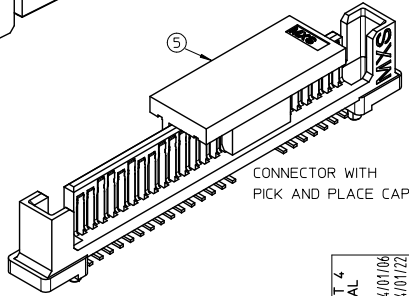
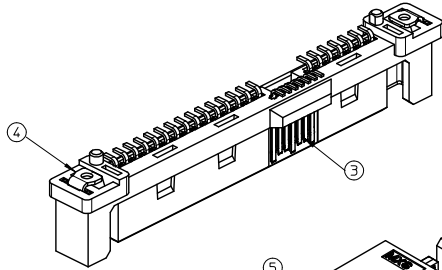
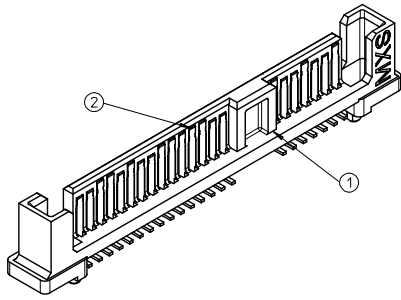
[Molex Connector Corporation](#)  
[0781641051](#)

For any questions, you can email us directly:

[sales@integrated-circuit.com](mailto:sales@integrated-circuit.com)

10 9 8 7 6 5 4 3 2 1

NO.	PART NAME	QTY.	MATERIAL
1	HOUSING	1	NYLON(PA), UL 94V-0, COLOR: BLACK
2	CONTACT A	22	COPPER ALLOY
3	CONTACT B	7	COPPER ALLOY
4	FITTING-NAIL	2	COPPER ALLOY
5	PICK & PLACE CAP	1	PA46, UL 94V-0, COLOR: BLACK



NOTES:

1. MATERIAL: REFER TO THE ABOVE PART-LIST.
2. PLATING SPECIFICATION: REFER TO TABLE-1.
3. APPLICABLE INDUSTRY SPECIFICATION :  
SFF-8482 UNSHIELDED DUAL PORT SERIAL ATTACHMENT CONNECTOR.
4. PRODUCT SPECIFICATION: PS-78012-002.
5. PACKING: REFER TO PACKING INFORMATION (SHEET 5/5).
6. DATE CODE FORMAT: YEAR & DAY OF MANUFACTURE.
7. MOLEX LOGO IS LOCATED APPROXIMATELY AS SHOW.
8. MAXIMUM WARPAGE OF 0.13mm OVER THE LENGTH OF THE CONNECTOR  
IN ANY DIRECTION BEFORE AND AFTER EXPOSURE TO MAX. 260°C  
FOR 10 SECONDS.

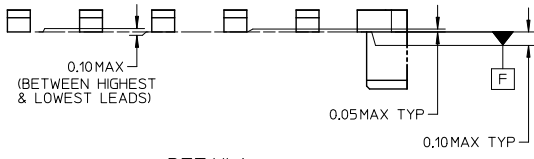
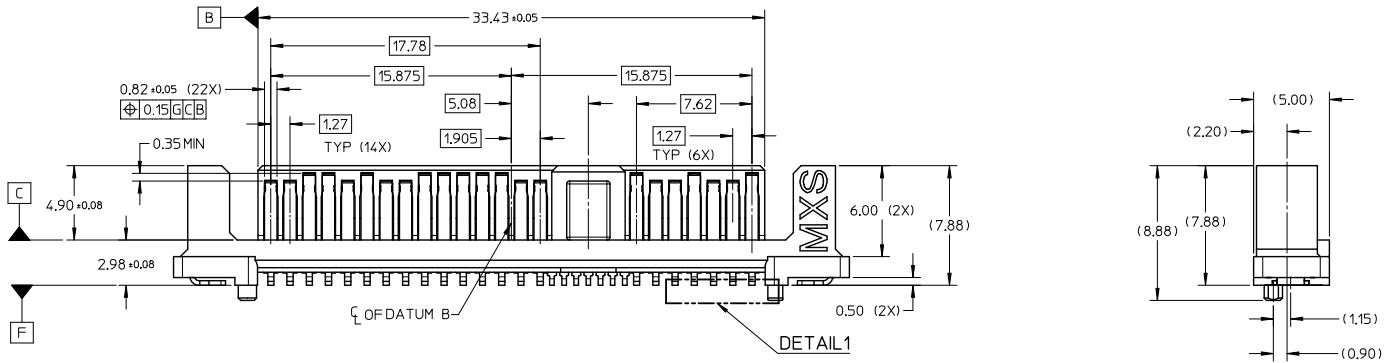
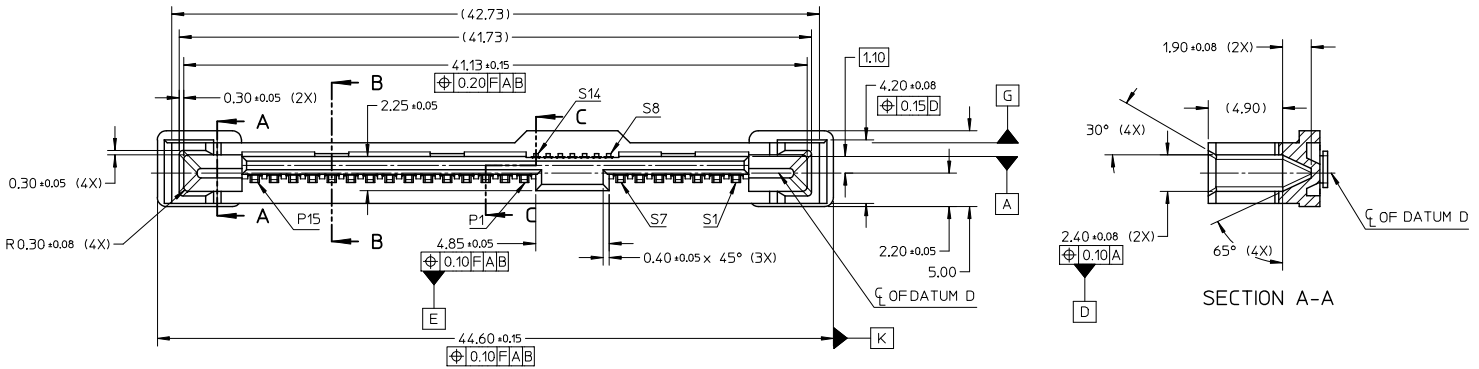
TABLE-1: ( CONTACT AND FITTING-NAIL PLATING SPECIFICATION )

PART NAME	MATING AREA	TERMINAL AREA	OTHERS AREA
CONTACT	GOLD (0.76µm MIN.)	TIN (1.91µm MIN.)	NICKEL PLATING
	OVER 1.27µm MIN. NICKEL UNDERPLATE		
FITTING-NAIL	TIN OVER NICKEL UNDERPLATE		

SHT: 3/6/17/22 & SHT 4 EPT: 2014-05-05 DRAWN: SKANG 2014/01/06 CHECKED: LONG 2014/01/22 APPROV: LONG 2014/01/22 REV: A4	QUALITY SYMBOLS	GENERAL TOLERANCES (UNLESS SPECIFIED)	DIMENSION STYLE	SCALE	DESIGN UNITS	THIRD ANGLE PROJECTION	
	▽=0	mm INCH	MM ONLY	NTS	METRIC	☉	
	▽=0	4 PLACES ± --- ± ---	DRAWN BY DATE	TITLE	SERIAL ATA SCSI (SAS) PLUG, VERTICAL MOUNT SMT MOLEX INCORPORATED		
	▽=0	3 PLACES ± --- ± ---	CGOH 2007/01/12				
▽=0	2 PLACES ± 0.20 ± ---	CHECKED BY DATE					
	1 PLACE ± --- ± ---	CGTAN 2007/02/06					
	ANGULAR ± 3 °	APPROVED BY DATE					
		BOKOK 2010/02/02					
	DRAFT WHERE APPLICABLE MUST REMAIN WITHIN DIMENSIONS	MATERIAL NO.	78164-1051	DOCUMENT NO.	SD-78164-100	SHEET NO. 1 OF 5	
		SIZE	A3	THIS DRAWING CONTAINS INFORMATION THAT IS PROPRIETARY TO MOLEX INCORPORATED AND SHOULD NOT BE USED WITHOUT WRITTEN PERMISSION			

9 8 7 6 5 4 3 2 1

10 9 8 7 6 5 4 3 2 1



REV	DESCRIPTION
A4	REV 31681 17.12 & SHIT 4 EPC NO: 2014-05 DRAWN: SKANG 2014/01/06 CHK: KHLONG 2014/01/22 APPR: HLONG 2014/01/22

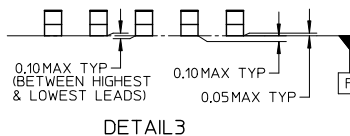
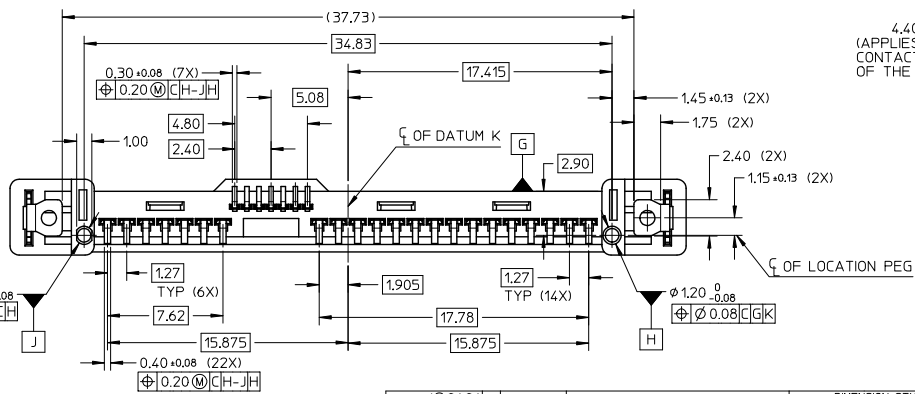
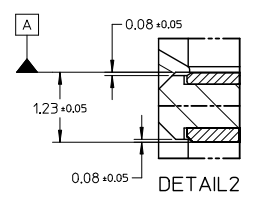
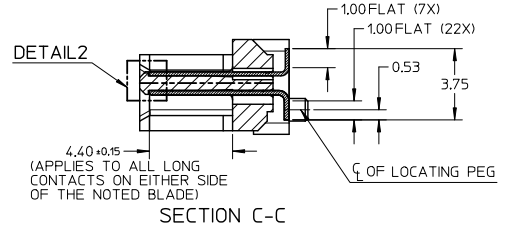
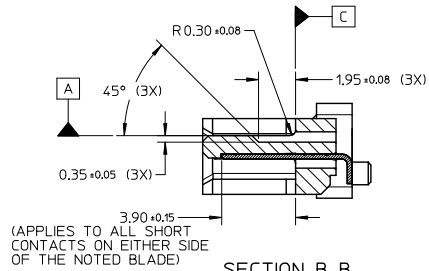
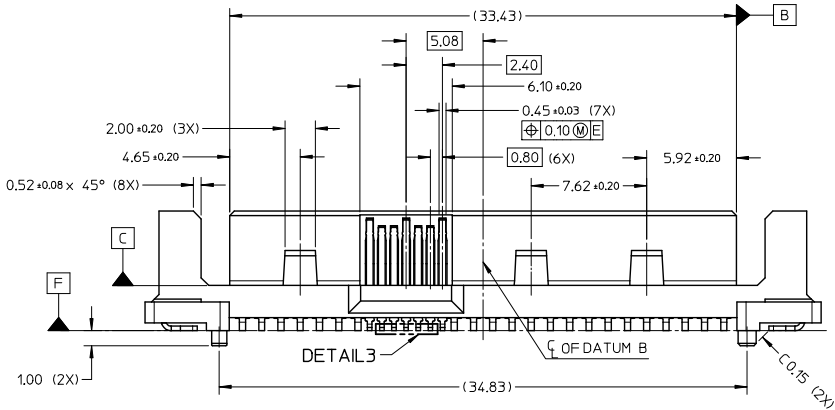
QUALITY SYMBOLS	√=0
	√=0
	√=0
	√=0
	√=0

GENERAL TOLERANCES (UNLESS SPECIFIED)	
4 PLACES	± --- ± ---
3 PLACES	± --- ± ---
2 PLACES	± 0.20 ± ---
1 PLACE	± --- ± ---
ANGULAR ± 3°	
DRAFT WHERE APPLICABLE MUST REMAIN WITHIN DIMENSIONS	

DIMENSION STYLE	SCALE	DESIGN UNITS	THIRD ANGLE PROJECTION
MM ONLY	NTS	METRIC	☉ □
DRAWN BY	DATE	TITLE	
CGOH	2007/01/12	SERIAL ATA SCSI (SAS) PLUG, VERTICAL MOUNT SMT	
CHECKED BY	DATE	MOLEX INCORPORATED	
CGTAN	2007/02/06	MATERIAL NO. 78164-1051	
APPROVED BY	DATE	DOCUMENT NO.	SHEET NO.
BOKOK	2010/02/02	SD-78164-100	2 OF 5
THIS DRAWING CONTAINS INFORMATION THAT IS PROPRIETARY TO MOLEX INCORPORATED AND SHOULD NOT BE USED WITHOUT WRITTEN PERMISSION			

9 8 7 6 5 4 3 2 1

10 9 8 7 6 5 4 3 2 1



REV	DESCRIPTION
A4	REV 31681 17.12 & SHIT 4 ECP NO. 2017-3-053 DRAWN:SKANG 2014/01/06 CHK:KHLONG 2014/01/22 APPR:HLONG 2014/01/22

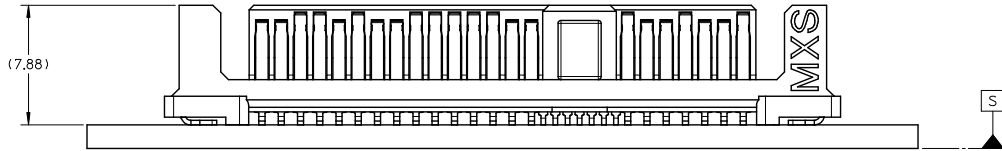
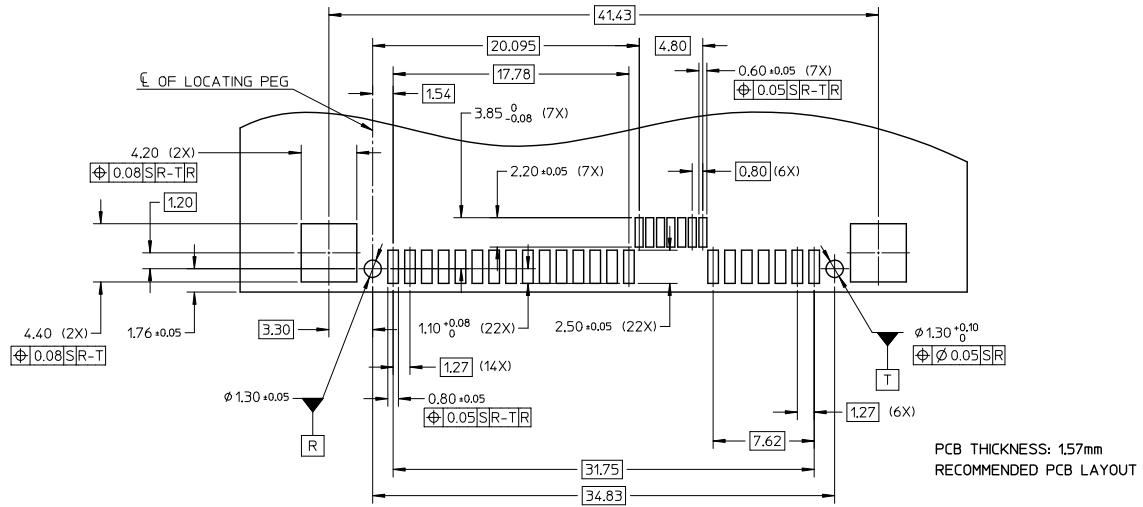
QUALITY SYMBOLS	GENERAL TOLERANCES (UNLESS SPECIFIED)
▽=0	4 PLACES ± --- ± ---
▽=0	3 PLACES ± --- ± ---
▽=0	2 PLACES ± 0.20 ± ---
▽=0	1 PLACE ± --- ± ---
	ANGULAR ± 3°

DRAFT WHERE APPLICABLE MUST REMAIN WITHIN DIMENSIONS	DIMENSION STYLE MM ONLY
	SCALE NTS
	DESIGN UNITS METRIC
	THIRD ANGLE PROJECTION

DRAWN BY CGOH	DATE 2007/01/12
CHECKED BY CGTAN	DATE 2007/02/06
APPROVED BY BOKOK	DATE 2010/02/02
MATERIAL NO. 78164-1051	DOCUMENT NO. SD-78164-100

TITLE SERIAL ATA SCSI (SAS) PLUG, VERTICAL MOUNT SMT	
MOLEX INCORPORATED	
SHEET NO. 3 OF 5	

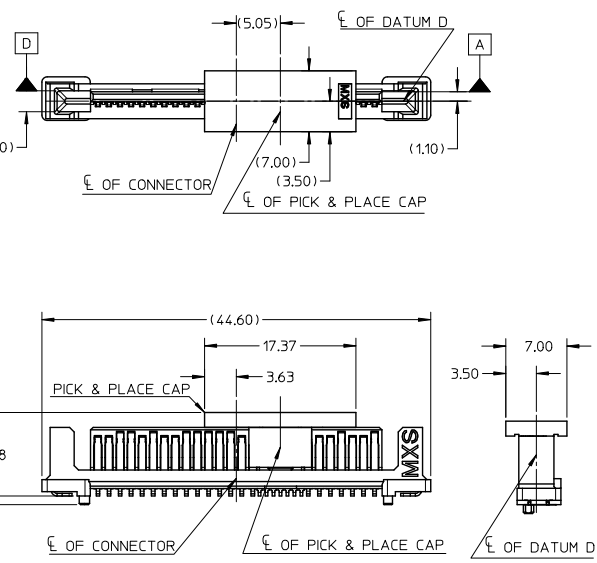
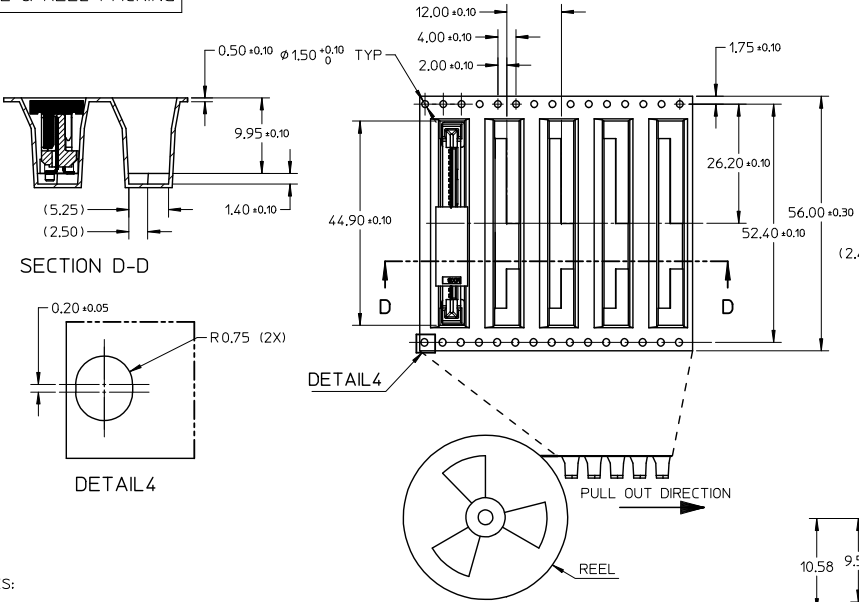
9 8 7 6 5 4 3 2 1



SUT: 31681 17.12 & SHT 4 EIP: 2014-05-05 EC No: 2014-05-05 DRAWN: SKANG 2014/01/06 CHK: KHALONG 2014/01/22 APPR: HLONG 2014/01/22	QUALITY SYMBOLS	GENERAL TOLERANCES (UNLESS SPECIFIED)		DIMENSION STYLE MM ONLY		SCALE NTS	DESIGN UNITS METRIC	THIRD ANGLE PROJECTION	
	$\nabla=0$ $\nabla=0$ $\nabla=0$	4 PLACES	±	---	mm	INCH	DATE	TITLE	
		3 PLACES	±	---			2007/01/12	SERIAL ATA SCSI (SAS) PLUG, VERTICAL MOUNT SMT	
		2 PLACES	±	0.20			2007/02/06		
	1 PLACE	±	---			2010/02/02	MOLEX INCORPORATED		
		ANGULAR ± 3°		DRAFT WHERE APPLICABLE MUST REMAIN WITHIN DIMENSIONS		MATERIAL NO. 78164-1051	DOCUMENT NO. SD-78164-100	SHEET NO. 4 OF 5	
REV A4	DESCRIPTION	THIS DRAWING CONTAINS INFORMATION THAT IS PROPRIETARY TO MOLEX INCORPORATED AND SHOULD NOT BE USED WITHOUT WRITTEN PERMISSION							

10 9 8 7 6 5 4 3 2 1

**TAPE & REEL PACKING**



**NOTES:**

- LEADER AND TRAILER TAPE
- PEELING OFF FORCE OF THE TOP TAPE: 20 - 80gf MAX. (PEELING DIRECTION AS SHOWN IN FOLLOWING FIGURE)
- TAPE AND REEL SPECIFICATION IS AS PER EIA-481.
- TAPE AND REEL QUANTITY : 400 PCS/ REEL.
- THE TAPE IS TREATED FOR ANTI-STATIC.

SHT 3/68 17/2 & SHT 4 EPC NO: 207-3-053 DRW:SKANG 2014/01/06 CHK:HLONG 2014/01/22 APPR:HLONG 2014/01/22 A4	QUALITY SYMBOLS	GENERAL TOLERANCES (UNLESS SPECIFIED)	DIMENSION STYLE	SCALE	DESIGN UNITS	THIRD ANGLE PROJECTION
	√=0 ∇=0 ∇=0	mm INCH 4 PLACES ± --- ± --- 3 PLACES ± --- ± --- 2 PLACES ± 0.20 ± --- 1 PLACE ± --- ± --- ANGULAR ± 3°	MM ONLY	NTS	METRIC	
	DESCRIPTION	DRAFT WHERE APPLICABLE MUST REMAIN WITHIN DIMENSIONS	DRAWN BY DATE CGOH 2007/01/12 CHECKED BY DATE CGTAN 2007/02/06 APPROVED BY DATE BOKOK 2010/02/02	TITLE	SERIAL ATA SCSI (SAS) PLUG, VERTICAL MOUNT SMT	
	REV		MATERIAL NO. 78164-1051	DOCUMENT NO. SD-78164-100	MOLEX INCORPORATED SHEET NO. 5 OF 5	

9 8 7 6 5 4 3 2 1