

## Excellent Integrated System Limited

Stocking Distributor

Click to view price, real time Inventory, Delivery & Lifecycle Information:

[Molex Connector Corporation](#)  
[0782291003](#)

For any questions, you can email us directly:

[sales@integrated-circuit.com](mailto:sales@integrated-circuit.com)

10 9 8 7 6 5 4 3 2 1

TABLE 1 : UNITIZED CONNECTOR WITH HOLD DOWN MODULE  $\triangle$

PART NUMBER	NUMBER OF POWER MODULES	*DIM A*	PLATING OPTION	HOLD DOWN MODULE LOCATION
78229-100*	1X	10.90	TIN	LEFT (REFER TO SHEET 2 FOR DETAILS)
78229-10**	2X	18.30		RIGHT (REFER TO SHEET 3 FOR DETAILS)
78229-200*	1X	10.90		LEFT (REFER TO SHEET 2 FOR DETAILS)
78229-20**	2X	18.30		RIGHT (REFER TO SHEET 3 FOR DETAILS)

PART NUMBER LEGEND: 78229-\*0\*\*

PLATING OPTION	HOLD DOWN MODULE LOCATION	*
TIN	LEFT	1
	RIGHT	2

* POWER MODULE 2	BLADE LENGTH	
	P1	P2
0	MODULE NOT PRESENT	
1	8.27	8.27
2	8.27	9.77
3	6.77	9.77

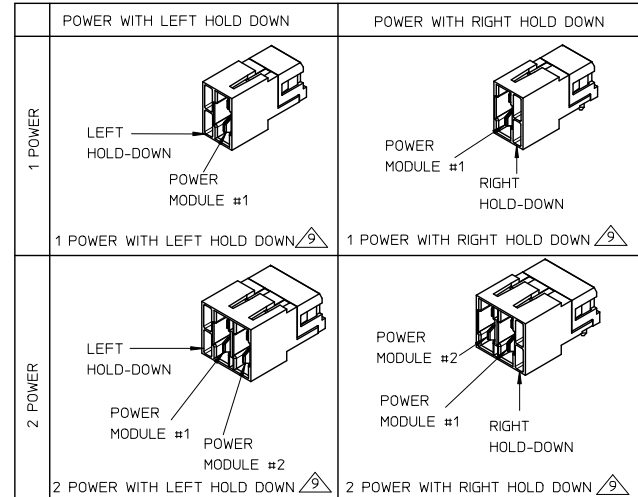
* POWER MODULE 1	BLADE LENGTH	
	P1	P2
1	8.27	8.27
2	8.27	9.77
3	6.77	9.77

NOTES

- MATERIALS :  
HOUSING - HIGH TEMP. THERMOPLASTIC, GLASS FILLED, UL94-V0,COLOR:BLACK.  
POWER PIN - COPPER ALLOY
- FINISHES :  
POWER CONTACTS  
0.76 $\mu$ m MINIMUM GOLD AT CONTACT AREA AND  
2.54 $\mu$ m MINIMUM TIN AT SOLDER TAIL AREA OVER  
1.27 $\mu$ m MINIMUM NICKEL UNDERPLATE.
- PRODUCT SPECIFICATION: PS-78231-006.  
COMPONENT STAY AWAY ZONE FROM CONNECTOR.  
 $\triangle$  PCB NOTE FOR PLATED HOLE.

TYPE OF PLATED HOLE	DRILLED HOLE SIZE	PLATING THICKNESS	PLATED HOLE SIZE *DIM H*
TIN/TIN-LEAD	0.838	0.007 MIN TIN/TIN-LEAD/SILVER	0.725+0.075
SILVER	0.863	OVER 0.03 TO 0.08 COPPER PLATING	0.750+0.050

- MATES WITH 78227-1\*\*\* and 78230-\*\*\*\*.
- PART NUMBER AND YEAR-DAY CODE CAN BE ON EITHER SIDE OF WALL.
- ADD 7.40mm FOR EACH ADDITIONAL MODULE.
- THE DETAILS FOR LEFT HOLD DOWN OPTION SHOWN ON SHEET 2 AND RIGHT HOLD DOWN OPTION SHOWN ON SHEET 3.
- CONNECTORS ARE PACKED IN A TRAY.
- MODULE LOCATION IS FROM NEXT TO HOLD DOWN MODULE WITH STARTING MODULE AS \*#1\*.
- BOTTOM AND TOP CIRCUITS ARE INDICATED AS \*CKT A\* AND \*CKT B\*.
- ALL PARTS ARE SHIPPED WITH A 2-32 TYPE AB SELF-TAPPING SCREW PART NUMBER 73726-0005.
- PACKAGING PROCEDURE AS PER PK-78229-001.



INITIAL RELEASE	2011/12/07
EC NO. S2012-0455	2011/12/27
DRWN:SHONG	2012/01/17
CHK:LING	
APPR:INGESHKN	
REV	DESCRIPTION

QUALITY SYMBOLS
$\nabla=0$
$\nabla=0$

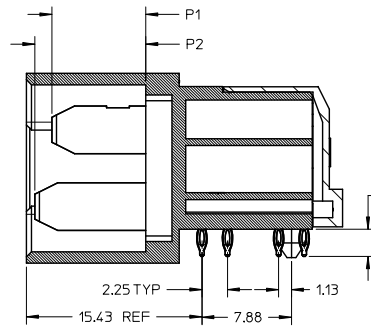
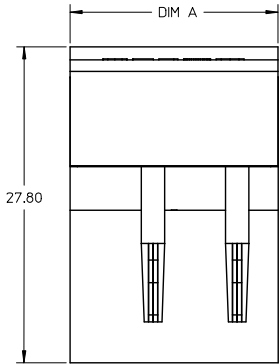
GENERAL TOLERANCES (UNLESS SPECIFIED)	
	mm
4 PLACES	$\pm$ ---
3 PLACES	$\pm$ ---
2 PLACES	$\pm$ 0.25
1 PLACE	$\pm$ ---
ANGULAR $\pm$ 3°	

DIMENSION STYLE	
MM ONLY	
DRAWN BY	DATE
KCHEW	2011/11/04
CHECKED BY	DATE
LNJ	
APPROVED BY	DATE
SHONG	2011/11/29
MATERIAL NO.	

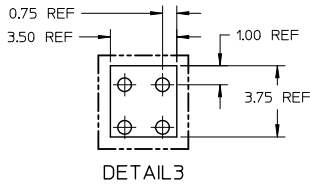
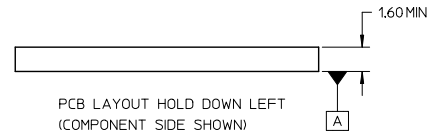
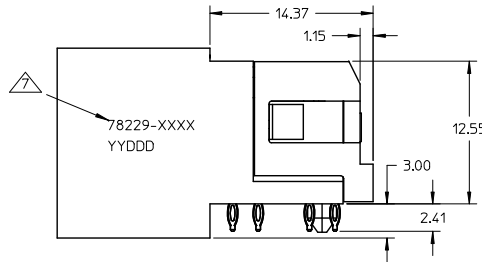
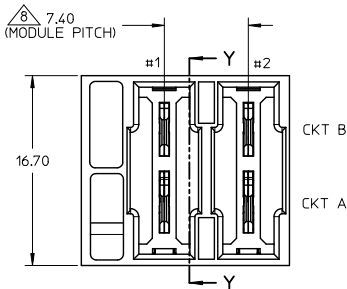
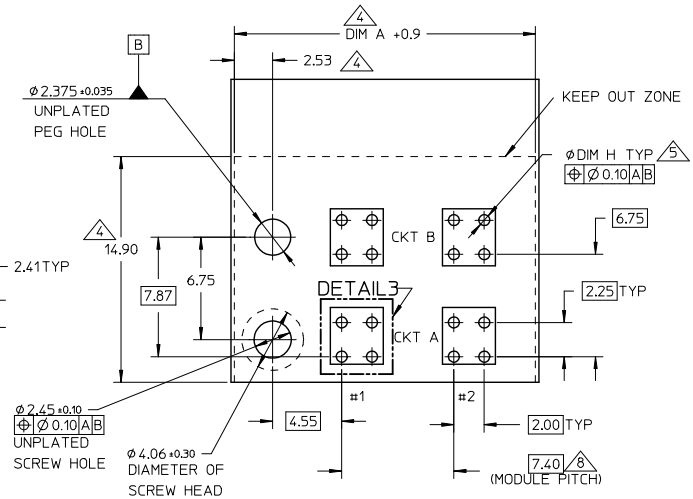
SCALE	DESIGN UNITS	THIRD ANGLE PROJECTION
NTS	METRIC	
I-TRAC POWER .7 ROW HEADER WITH HOLD DOWN PRESS FIT, R/A		
MOLEX INCORPORATED		
SEE TABLE	DOCUMENT NO.	SHEET NO.
	SD-78229-003	1 OF 3

10 9 8 7 6 5 4 3 2 1

LEFT HOLD DOWN OPTION



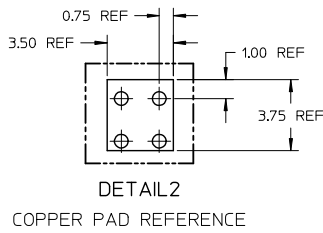
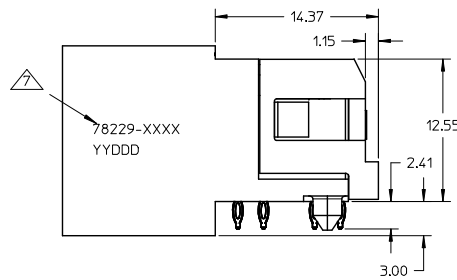
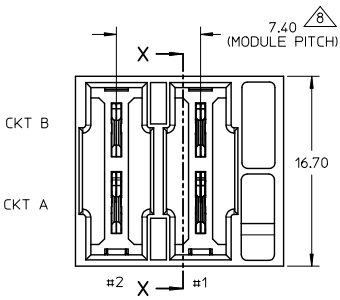
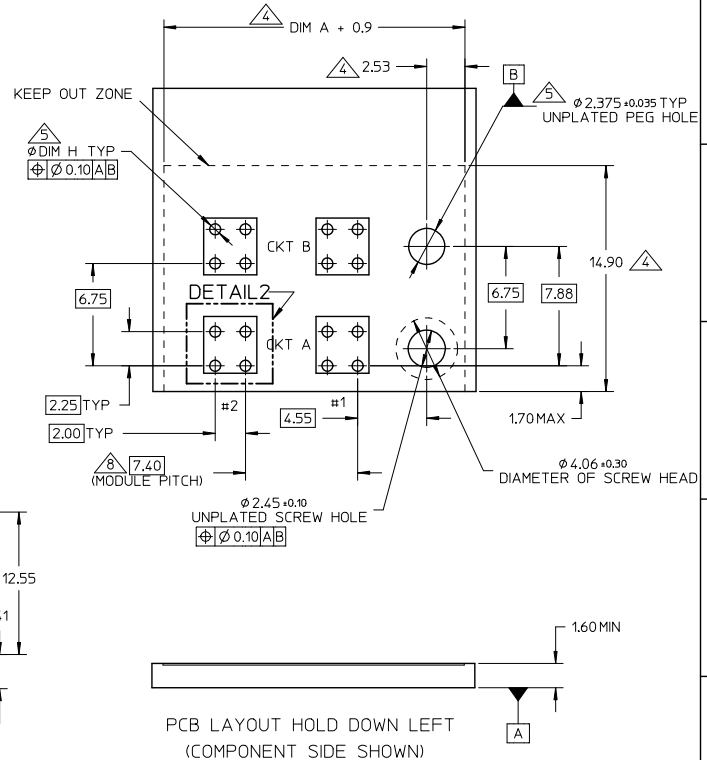
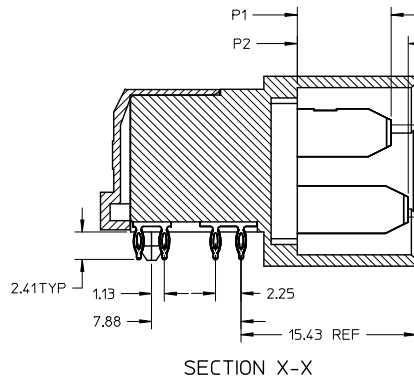
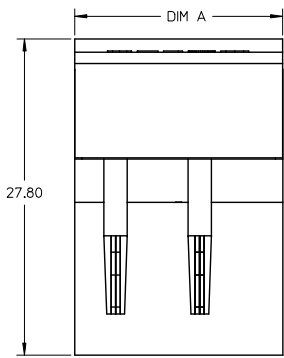
SECTION Y-Y



DETAIL3  
COPPER PAD REFERENCE

INITIAL RELEASE EC NO: S2012-0455 DRAWN BY: DRWNSHONG CHKD BY: CHYKBLNG APPR: INAGESHKN 2011/12/07 2011/12/27 2012/01/17	QUALITY SYMBOLS ▽=0 ▽=0	GENERAL TOLERANCES (UNLESS SPECIFIED)		DIMENSION STYLE MM ONLY		SCALE NTS	DESIGN UNITS METRIC	THIRD ANGLE PROJECTION
		4 PLACES ± --- ± --- 3 PLACES ± --- ± --- 2 PLACES ± 0.25 ± --- 1 PLACE ± --- ± --- ANGULAR ± 3°	mm INCH ± --- ± --- ± --- ± --- ± --- ± --- ± --- ± ---	DRAWN BY KCHEW	DATE 2011/11/04	TITLE I-TRAC POWER .7 ROW HEADER WITH HOLD DOWN PRESS FIT, R/A	APPROVED BY SHONG	
DRAFT WHERE APPLICABLE MUST REMAIN WITHIN DIMENSIONS	SEE TABLE	MATERIAL NO.	DOCUMENT NO.	SD-78229-003	SHEET NO. 2 OF 3			

RIGHT HOLD DOWN OPTION



INITIAL RELEASE EC NO: S2012-0455 DRAWN: SHONG CHK: LING APPR: INAGESHKN 2011/12/07 2011/12/27 2012/01/17	QUALITY SYMBOLS ▽=0 ▽=0	GENERAL TOLERANCES (UNLESS SPECIFIED)		DIMENSION STYLE MM ONLY	SCALE NTS	DESIGN UNITS METRIC	THIRD ANGLE PROJECTION
		4 PLACES ± --- ± --- 3 PLACES ± --- ± --- 2 PLACES ± 0.25 ± --- 1 PLACE ± --- ± --- ANGULAR ± 3°	DRAWN BY KCHEW DATE 2011/11/04	CHECKED BY LNG DATE 2011/11/29	TITLE I-TRAC POWER .7 ROW HEADER WITH HOLD DOWN PRESS FIT, R/A	APPROVED BY SHONG DATE 2011/11/29	MOLEX INCORPORATED
DRAFT WHERE APPLICABLE MUST REMAIN WITHIN DIMENSIONS		SEE TABLE		DOCUMENT NO. SD-78229-003		THIS DRAWING CONTAINS INFORMATION THAT IS PROPRIETARY TO MOLEX INCORPORATED AND SHOULD NOT BE USED WITHOUT WRITTEN PERMISSION	