

Excellent Integrated System Limited

Stocking Distributor

Click to view price, real time Inventory, Delivery & Lifecycle Information:

[Molex Connector Corporation](#)
[0782341001](#)

For any questions, you can email us directly:

sales@integrated-circuit.com

10 9 8 7 6 5 4 3 2 1

TABLE 1 : UNITIZED CONNECTOR WITH HOLD DOWN MODULE \triangle

PART NUMBER	NUMBER OF POWER MODULES	'DIM A'	PLATING OPTION	HOLD DOWN MODULE LOCATION
78234-100*	1X	10.90	TIN	LEFT (REFER TO SHEET 2 FOR DETAILS)
78234-10**	2X	18.30		RIGHT (REFER TO SHEET 3 FOR DETAILS)
78234-200*	1X	10.90		LEFT (REFER TO SHEET 2 FOR DETAILS)
78234-20**	2X	18.30		RIGHT (REFER TO SHEET 3 FOR DETAILS)

PART NUMBER LEGEND: 78234-*0**

PLATING OPTION	HOLD DOWN MODULE LOCATION	*
TIN	LEFT	1
	RIGHT	2

*	POWER MODULE 2	
	P1	P2
0	MODULE NOT PRESENT	
1	8.27	8.27
2	8.27	9.77
3	6.77	9.77

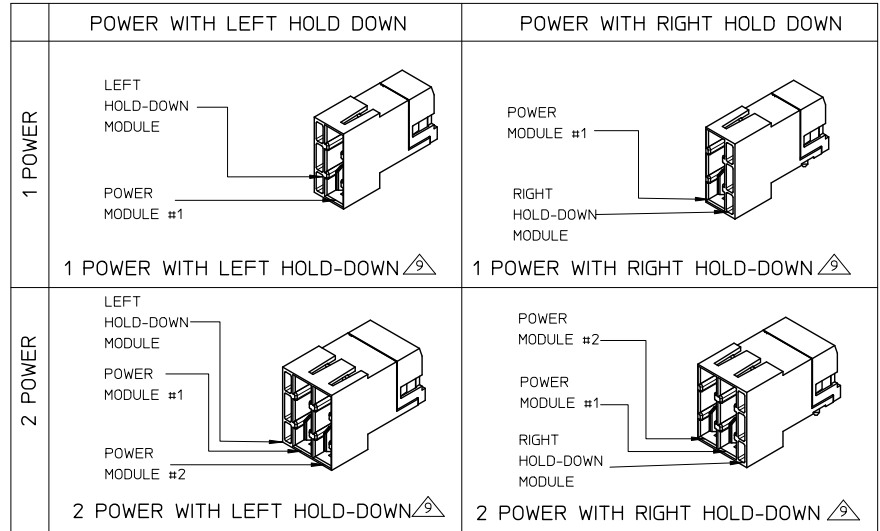
*	POWER MODULE 1	
	P1	P2
1	8.27	8.27
2	8.27	9.77
3	6.77	9.77

NOTES

- MATERIALS :
HOUSING - HIGH TEMP. THERMOPLASTIC, GLASS FILLED, UL94-V0,COLOR:BLACK.
POWER PIN - COPPER ALLOY
- FINISHES :
POWER CONTACTS
0.76 μ m MINIMUM GOLD AT CONTACT AREA AND
2.54 μ m MINIMUM TIN AT SOLDERTAIL AREA OVER
1.27 μ m MINIMUM NICKEL UNDERPLATE.
- PRODUCT SPECIFICATION: PS-78231-006.
 \triangle COMPONENT STAY AWAY ZONE FROM CONNECTOR.
 \triangle PCB NOTE FOR PLATED HOLE.

TYPE OF PLATED HOLE	DRILLED HOLE SIZE	PLATING THICKNESS	PLATED HOLE SIZE 'DIM H'
TIN/TIN-LEAD	0.838	0.007 MIN TIN/TIN-LEAD/SILVER OVER 0.03 TO 0.08 COPPER PLATING	0.725 \pm 0.075
SILVER	0.863		0.750 \pm 0.050

- MATES WITH 78237-****.
- PART NUMBER AND YEAR-DAY CODE CAN BE ON EITHER SIDE OF WALL.
- ADD 7.40mm FOR EACH ADDITIONAL MODULE.
- THE DETAILS FOR LEFT HOLD DOWN OPTION SHOWN ON SHEET2 AND RIGHT HOLD DOWN OPTION SHOWN ON SHEET 3.
- CONNECTORS ARE PACKED IN A TRAY.
- MODULE LOCATION IS FROM NEXT TO HOLD DOWN MODULE WITH STARTING MODULE AS '*1'.
- BOTTOM AND TOP CIRCUITS ARE INDICATED AS 'CKT A' AND 'CKT B'.
- ALL PARTS ARE SHIPPED WITH A 2-32 TYPE AB SELF-TAPPING SCREW PART NUMBER 73726-0005.
- PACKAGING PROCEDURE AS PER PK-78234-001.

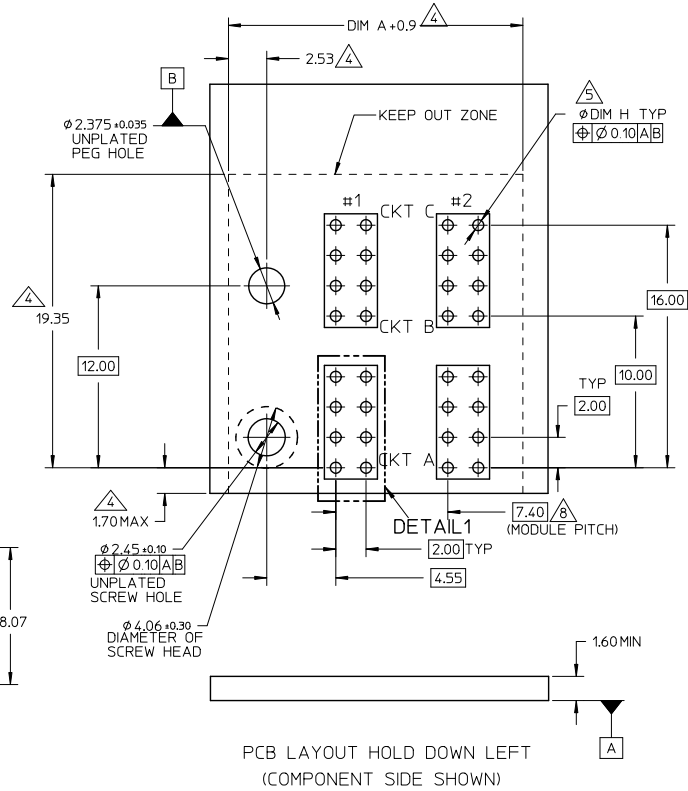
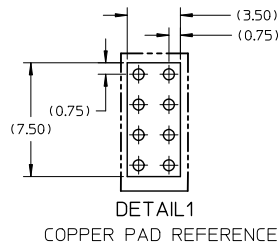
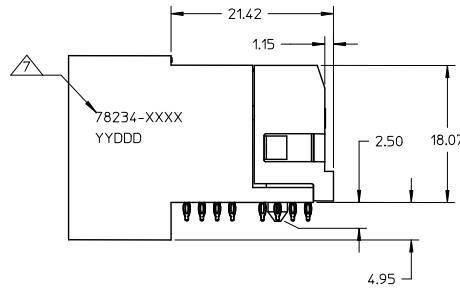
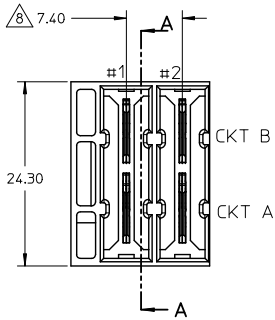
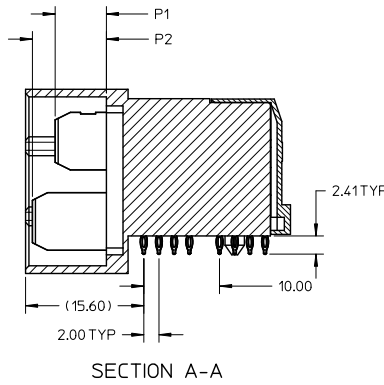
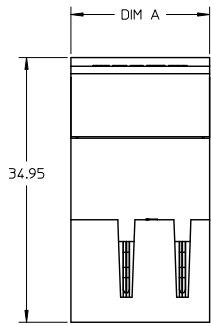


INITIAL RELEASE
EC NO: S2012-0368
DRAWN: SHONG 2011/11/10
CHK: LING 2011/11/17
APPR: NAGESHK 2011/12/06

QUALITY SYMBOLS	GENERAL TOLERANCES (UNLESS SPECIFIED)		DIMENSION STYLE		SCALE	DESIGN UNITS	THIRD ANGLE PROJECTION
	mm	INCH	MM ONLY	DATE			
$\nabla=0$	4 PLACES	\pm ---	\pm ---	SHONG	2011/11/10	METRIC	I-TRAC POWER, 11 ROW HEADER WITH HOLD DOWN PRESS FIT, R/A
$\nabla=0$	3 PLACES	\pm ---	\pm ---	CHECKED BY	DATE		
	2 PLACES	\pm 0.25	\pm ---	LNG	2011/11/17		
	1 PLACE	\pm ---	\pm ---	APPROVED BY	DATE		
	ANGULAR \pm 3°			NAGESHK	2011/12/06	Molex	MOLEX INCORPORATED
	DRAFT WHERE APPLICABLE MUST REMAIN WITHIN DIMENSIONS			MATERIAL NO.		DOCUMENT NO.	SD-78234-003
				SIZE			SHEET NO. 1 OF 3

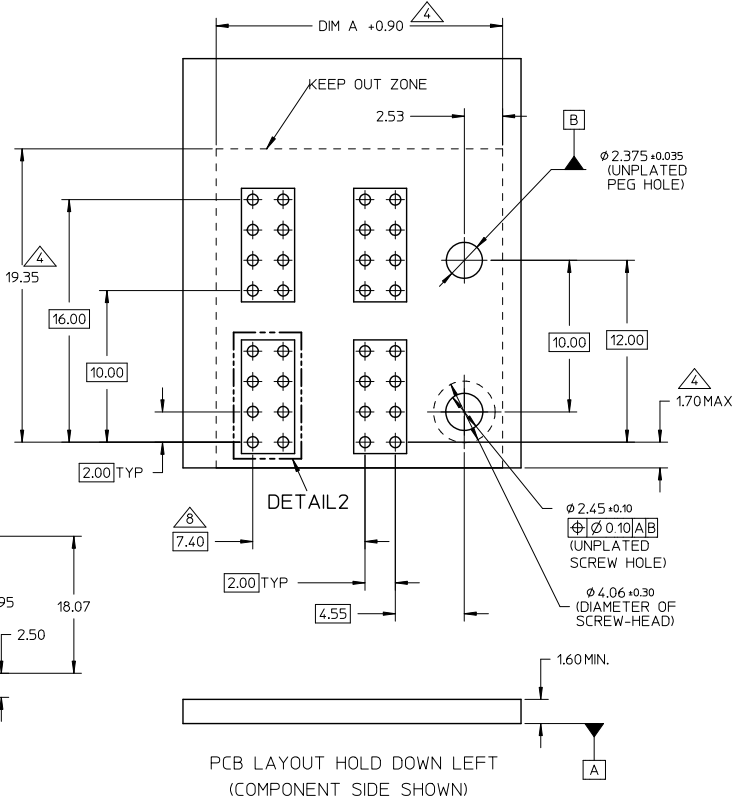
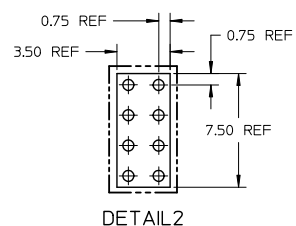
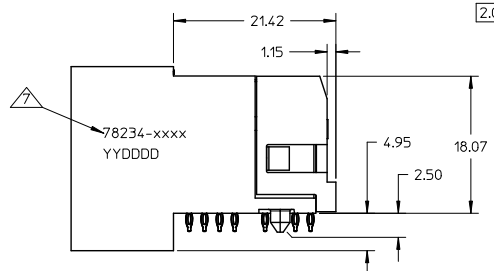
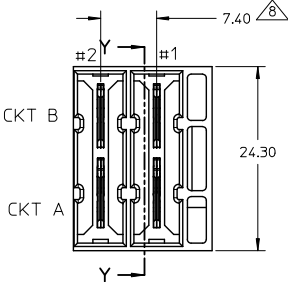
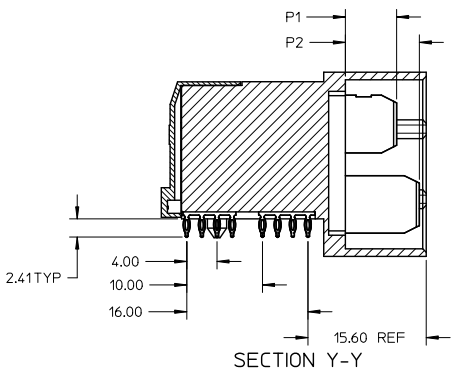
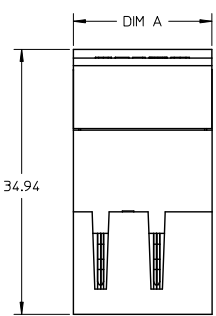
9 8 7 6 5 4 3 2 1

LEFT HOLD DOWN OPTION



INITIAL RELEASE EC NO. S2012-0368 DRAWN: SHONG CHK: LING APPR: NAGESHKN 2011/11/10 2011/11/17 2011/12/06	QUALITY SYMBOLS ▽=0 ▽=0	GENERAL TOLERANCES (UNLESS SPECIFIED)		DIMENSION STYLE MM ONLY		SCALE NTS	DESIGN UNITS METRIC	THIRD ANGLE PROJECTION
		4 PLACES ± --- ± --- 3 PLACES ± --- ± --- 2 PLACES ± 0.25 ± --- 1 PLACE ± --- ± --- ANGULAR ± 3°	mm INCH ± --- ± --- ± --- ± --- ± --- ± --- ± --- ± ---	DRAWN BY SHONG CHECKED BY LNG APPROVED BY NAGESHKN MATERIAL NO. SEE TABLE SIZE A3	DATE 2011/11/10 DATE 2011/11/17 DATE 2011/12/06	TITLE I-TRAC POWER, 11 ROW HEADER WITH HOLD DOWN PRESS FIT, R/A MOLEX INCORPORATED DOCUMENT NO. SD-78234-003	SHEET NO. 2 OF 3	

RIGHT HOLD DOWN OPTION



INITIAL RELEASE EC NO: S2012-0368 DRAWN: SHONG CHKD: LING APPR: NAGESHKN 2011/11/10 2011/11/17 2011/12/06	QUALITY SYMBOLS ▽=0 ▽=0	GENERAL TOLERANCES (UNLESS SPECIFIED)		DIMENSION STYLE MM ONLY		SCALE NTS	DESIGN UNITS METRIC	THIRD ANGLE PROJECTION
		4 PLACES ± --- ± --- 3 PLACES ± --- ± --- 2 PLACES ± 0.25 ± --- 1 PLACE ± --- ± --- ANGULAR ± 3°	mm INCH ± --- ± --- ± --- ± --- ± --- ± ---	DRAWN BY SHONG	DATE 2011/11/10	TITLE I-TRAC POWER, 11 ROW HEADER WITH HOLD DOWN PRESS FIT, R/A	MOLEX INCORPORATED	
DRAFT WHERE APPLICABLE MUST REMAIN WITHIN DIMENSIONS	SEE TABLE	MATERIAL NO. SD-78234-003	DOCUMENT NO.	SHEET NO. 3 OF 3	THIS DRAWING CONTAINS INFORMATION THAT IS PROPRIETARY TO MOLEX INCORPORATED AND SHOULD NOT BE USED WITHOUT WRITTEN PERMISSION			