



Distributor of Molex Connector Corporation: Excellent Integrated System Limited
Datasheet of 0785600002 - Connector Receptacle USB TypeA, eSATA Combo 11 (4+7)
Position Surface Mount, Right Angle, Horizontal

Contact us: sales@integrated-circuit.com Website: www.integrated-circuit.com

Excellent Integrated System Limited

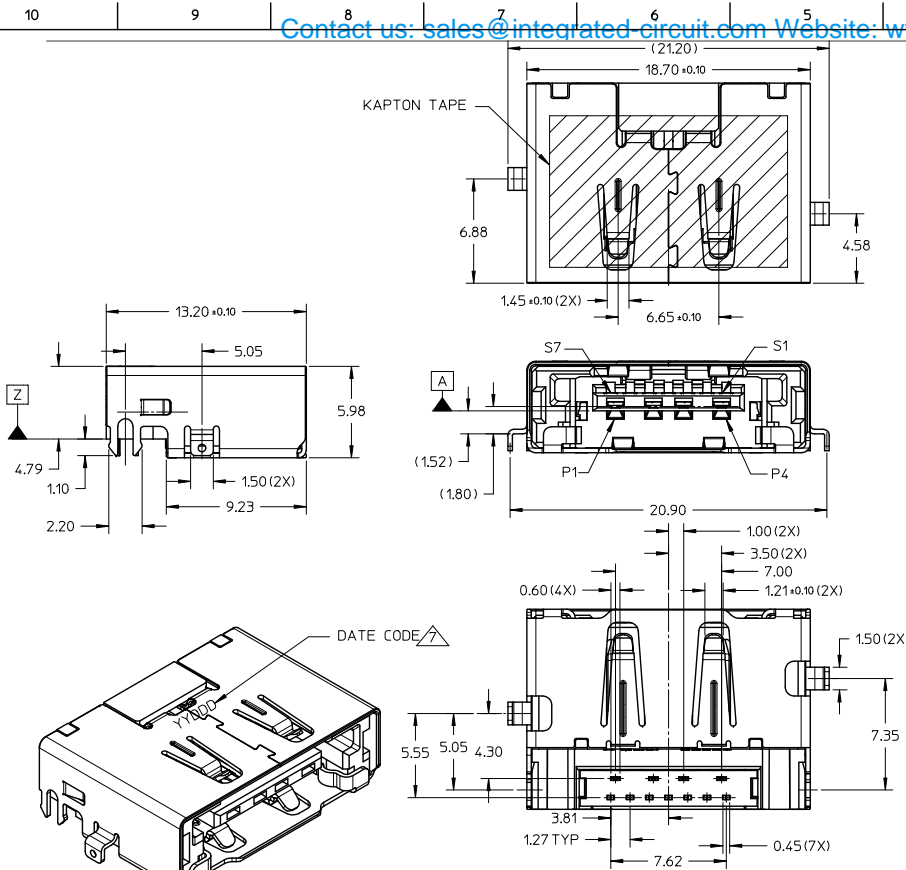
Stocking Distributor

Click to view price, real time Inventory, Delivery & Lifecycle Information:

[Molex Connector Corporation](#)
[0785600002](#)

For any questions, you can email us directly:
sales@integrated-circuit.com

Contact us: sales@integrated-circuit.com Website: www.integrated-circuit.com



- NOTES:
- MATERIAL:**
 HOUSING: HIGH TEMPERATURE THERMOPLASTIC, GLASS FILLED, BLACK, UL94V-0.
 BASEPLATE: HIGH TEMPERATURE THERMOPLASTIC, GLASS FILLED, BLACK, UL94V-0.
 TERMINAL: COPPER ALLOY.
 METAL SHELL: STAINLESS STEEL.
 - PLATING FINISHES**
 TERMINAL: SEE TABLE
 METAL SHELL PLATING: 1.27µm MIN SOLDERABLE NICKEL PLATING.
 - PRODUCT SPECIFICATION:** PS-78560-001
 - PACKAGE SPECIFICATION:** PK-78560-001
 - MATES WITH TYPICAL ESATA AND USB COMPLIANT CABLES**
 - PRODUCT COMPLIANT TO** Rohs DIRECTIVE 2002/95/EC AND ELV DIRECTIVE 2000/53/EC.
- △ DATE CODE: YYDDD, 'YY' REPRESENTS YEAR, 'DDD' REPRESENTS DAY.

PIN ASSIGNMENT

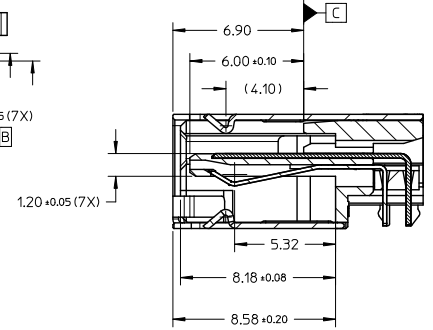
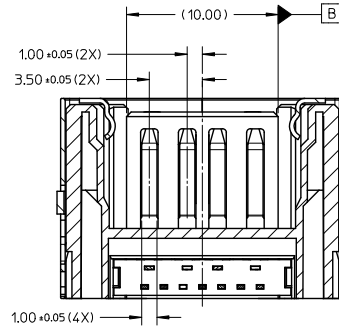
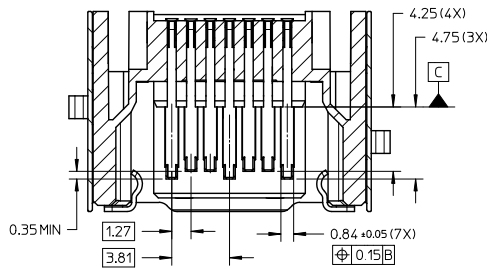
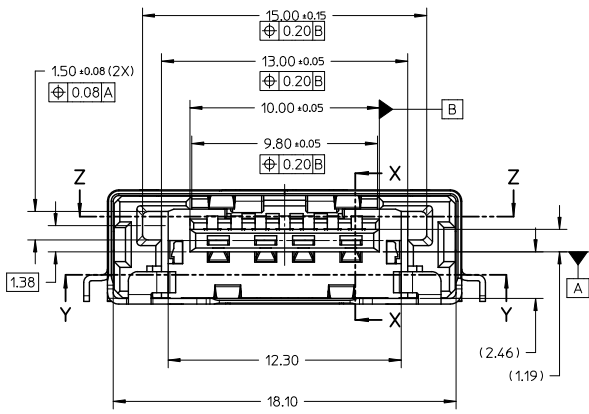
USB		ESATA	
NAME	TYPE	NAME	TYPE
P1	VBUS	S1	GND
P2	D-	S2	A+
P3	D+	S3	A-
P4	GND	S4	GND
		S5	B-
		S6	B+
		S7	GND

PLATING SPECIFICATION

PART NAME	CONTACT MATING AREA	SOLDERTAIL AREA
78560-0001	GOLD (0.76µm MIN.)	MATTE TIN (2.54µm MIN.)
	OVER NICKEL (1.27µm MIN.) PLATING	
78560-0002	GOLD (0.38µm MIN.)	MATTE TIN (2.54µm MIN.)
	OVER NICKEL (1.27µm MIN.) PLATING	

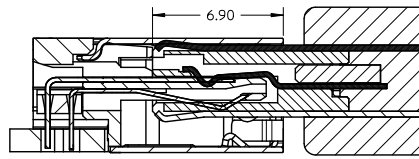
REV	DESCRIPTION	QUALITY SYMBOLS	GENERAL TOLERANCES (UNLESS SPECIFIED)		DIMENSION STYLE	SCALE	DESIGN UNITS	THIRD ANGLE PROJECTION
			mm	INCH				
A6	UPDATE TIN PLATING EC NO: S2011-0224 DRAWN BY: KHL/IM CHKD: JIAN02 APPR: SK/DH	√=0 √=0 √=0 √=0 ANGULAR ± 3°	4 PLACES ± --- ± --- 3 PLACES ± --- ± --- 2 PLACES ± 0.25 ± --- 1 PLACE ± --- ± ---	± --- ± --- ± --- ± --- ± --- ± --- ± --- ± ---	MM ONLY	NTS	METRIC	DRAWN BY: KHL/IM DATE: 2009/10/09 CHECKED BY: CGOH DATE: 2009/12/01 APPROVED BY: BOKOK DATE: 2010/04/30 MATERIAL NO.: SEE TABLE DOCUMENT NO.: SD-78560-001
DRAFT WHERE APPLICABLE MUST REMAIN WITHIN DIMENSIONS					TITLE: ESATA AND USB COMBO TOP MOUNT/ SINK TYPE 1.80MM HEIGHT MOLEX INCORPORATED SHEET NO. 1 OF 4			

Contact us: sales@integrated-circuit.com Website: www.integrated-circuit.com



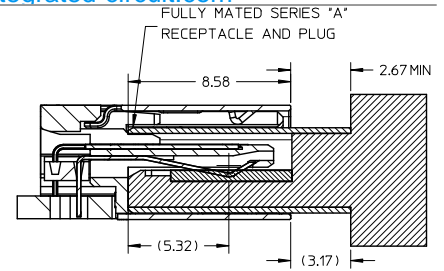
UPDATE TIN PLATING EC NO: S2011-0224 DRAWN BY: DRW:KHLIM CHKD: JIAN02 APPR: SKT0H	2010/09/09	2010/09/20	2010/09/24	QUALITY SYMBOLS √=0 √=0 √=0	GENERAL TOLERANCES (UNLESS SPECIFIED)		DIMENSION STYLE		SCALE	DESIGN UNITS	THIRD ANGLE PROJECTION
	mm		INCH		MM ONLY		NTS	METRIC			
	4 PLACES	±	---		±	---	DRAWN BY	DATE	TITLE		
	3 PLACES	±	---		±	---	KHLIM	2009/10/09	ESATA AND USB COMBO TOP MOUNT/ SINK TYPE 1.80MM HEIGHT		
2 PLACES	±	0.25	±	---	CHECKED BY	DATE	MOLEX INCORPORATED		MOLEX INCORPORATED DOCUMENT NO. SD-78560-001 SHEET NO. 2 OF 4		
1 PLACE	±	---	±	---	CGOH	2009/12/01	MATERIAL NO.				
ANGULAR		±	3°		APPROVED BY	DATE	SEE TABLE				
DRAFT WHERE APPLICABLE MUST REMAIN WITHIN DIMENSIONS					MATERIAL NO.		SEE TABLE		DOCUMENT NO.		SHEET NO.
					A3		THIS DRAWING CONTAINS INFORMATION THAT IS PROPRIETARY TO MOLEX INCORPORATED AND SHOULD NOT BE USED WITHOUT WRITTEN PERMISSION				2 OF 4

Contact us: sales@integrated-circuit.com Website: www.integrated-circuit.com



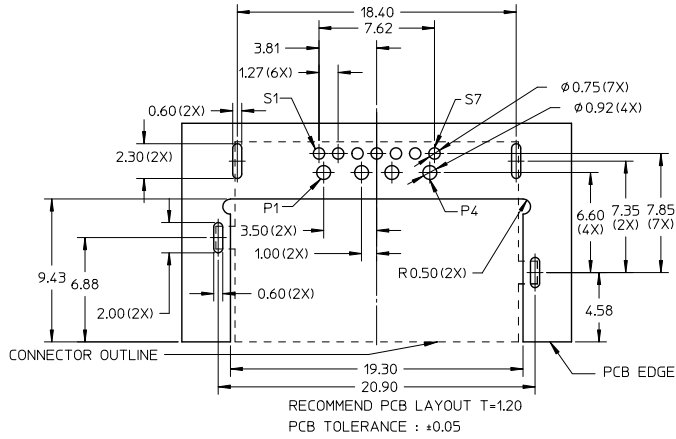
MATING WITH ESATA CABLE

SECTION W-W



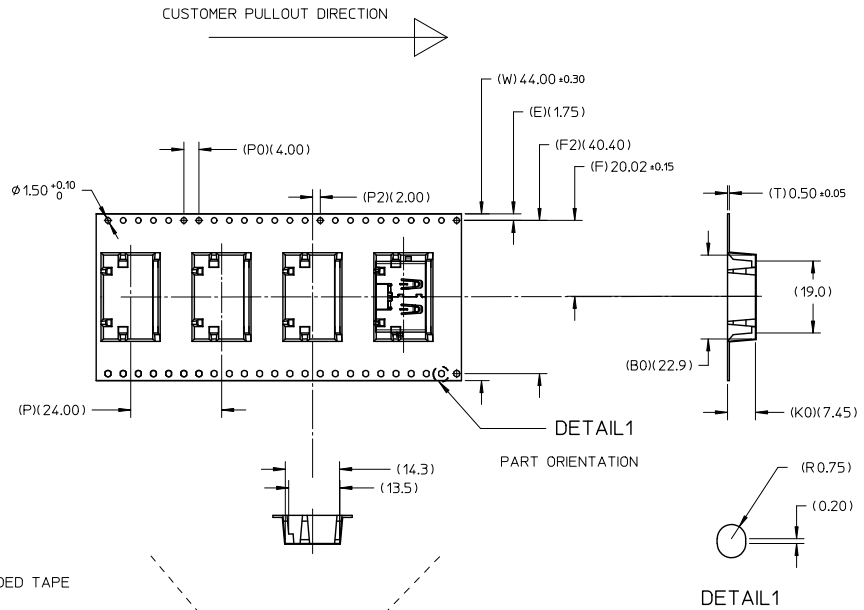
MATING WITH USB CABLE

SECTION U-U

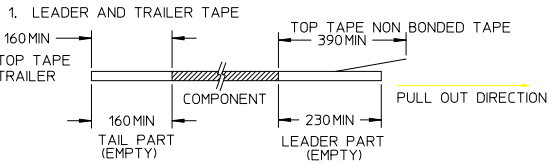


UPDATE TIN PLATING EC NO: S2011-0224 DRAWN BY: KHL/IM CHKD: JIAN02 APPR: SK/DH 2010/09/09 2010/09/20 2010/09/24	QUALITY SYMBOLS	GENERAL TOLERANCES (UNLESS SPECIFIED)		DIMENSION STYLE		SCALE	DESIGN UNITS	THIRD ANGLE PROJECTION		
	$\nabla=0$ $\nabla=0$ $\nabla=0$	4 PLACES	mm	INCH	MM ONLY		NTS	METRIC	<input checked="" type="checkbox"/> THIRD ANGLE <input type="checkbox"/> PROJECTION	
		3 PLACES	±---	±---	DRAWN BY	DATE	TITLE			
		2 PLACES	±0.25	±---	KHL/IM	2009/10/09	ESATA AND USB COMBO TOP MOUNT/ SINK TYPE 1.80MM HEIGHT			
	1 PLACE	±---	±---	CHECKED BY	DATE	MOLEX INCORPORATED				
		ANGULAR ± 3°		APPROVED BY	DATE	MOLEX INCORPORATED				
		DRAFT WHERE APPLICABLE MUST REMAIN WITHIN DIMENSIONS		MATERIAL NO.	DATE	DOCUMENT NO.				
				SEE TABLE	2010/04/30	SD-78560-001				
				SIZE		THIS DRAWING CONTAINS INFORMATION THAT IS PROPRIETARY TO MOLEX INCORPORATED AND SHOULD NOT BE USED WITHOUT WRITTEN PERMISSION				
				A3		SHEET NO. 3 OF 4				

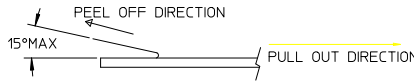
Contact us: sales@integrated-circuit.com Website: www.integrated-circuit.com



NOTES:



2. PEELING OFF FORCE OF THE TOP TAPE: 10-130gf MAX.
(PEELING DIRECTION AS SHOWN IN FOLLOWING FIGURE)



- 3. PACKAGING QTY: 320 PCS/REEL
- 4. PACKAGING STANDARD IS AS PER EIA-481.
- 5. MATERIAL: POLYSTYRENE, ANTISTATIC.
- 6. COLOR: BLACK

UPDATE TIN PLATING EC NO: S2011-0224 DRW: KHL IM CHK: JIAN02 APPR: SKT0H 2010/09/09 2010/09/20 2010/09/24	QUALITY SYMBOLS $\nabla=0$ $\nabla=0$ $\nabla=0$	GENERAL TOLERANCES (UNLESS SPECIFIED)		DIMENSION STYLE MM ONLY		SCALE NTS	DESIGN UNITS METRIC	THIRD ANGLE PROJECTION
		4 PLACES ± --- ± --- 3 PLACES ± --- ± --- 2 PLACES ± 0.25 ± --- 1 PLACE ± --- ± --- ANGULAR ± 3°	DRAWN BY KHL IM 2009/10/09	DATE 2009/10/09	TITLE ESATA AND USB COMBO TOP MOUNT/ SINK TYPE 1.80MM HEIGHT	APPROVED BY BOKOK 2010/04/30	DATE 2010/04/30	MOLEX INCORPORATED
A6	DRAFT WHERE APPLICABLE MUST REMAIN WITHIN DIMENSIONS	MATERIAL NO. SEE TABLE	DOCUMENT NO. SD-78560-001	THIS DRAWING CONTAINS INFORMATION THAT IS PROPRIETARY TO MOLEX INCORPORATED AND SHOULD NOT BE USED WITHOUT WRITTEN PERMISSION				