



Excellent Integrated System Limited

Stocking Distributor

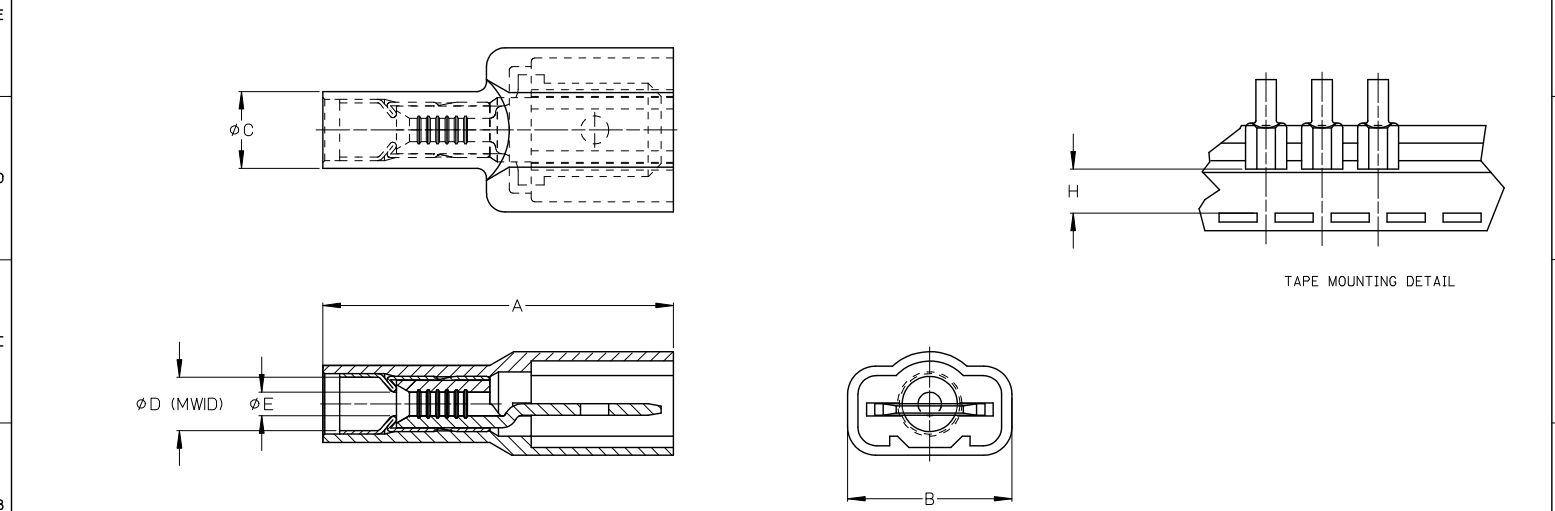
Click to view price, real time Inventory, Delivery & Lifecycle Information:

[Molex Connector Corporation](#)
[0190010001](#)

For any questions, you can email us directly:

sales@integrated-circuit.com

10		9		8		7		6		5		4		3		2		19001	
ASSEMBLY NUMBER		TAPE NUMBER		ITEM DESCRIPTION						DIMENSIONS									
MATERIAL NUMBER	ENGINEERING NUMBER	MATERIAL NUMBER	TAPE ENG. NUMBER	COLOR	WIRE GAUGE	TAB SIZE		'A' MAX	'B' MAX	'C' MAX	'D' MIN	'E' MIN	'H' REF						
190010001	AA-5260	190010002	AA-5260T	RED	22-18 AWG (0.38-0.96mm ²)	.250 x .032 (6.35 x 0.81)		.96/24.4	.45/11.4	.22/5.6	.140/3.56	.054/1.37	.43/10.9						
190010003	AA-5266	190010005	AA-5266T	RED	22-18 AWG (0.38-0.96mm ²)	.187 x .020 (4.75 x 0.51)		.90/22.9	.38/9.7	.22/5.6	.140/3.56 (A2)	.054/1.37	.47/11.9						
190010006	BB-5262	190010007	BB-5262T	BLUE	16-14 AWG (1.23-1.94mm ²)	.250 x .032 (6.35 x 0.81)		.96/24.4	.45/11.4	.25/6.4	.170/4.32 (A2)	.084/2.13	.43/10.9						
190010008	BB-5268	190010009	BB-5268T	BLUE	16-14 AWG (1.23-1.94mm ²)	.187 x .020 (4.75 x 0.51)		.90/22.9	.38/9.7	.25/6.4	.170/4.32	.084/2.13	.47/11.9						



NOTES:

1. TERMINAL MATERIAL: BRASS
2. TERMINAL PLATING: ZINC CHROMATE
3. HOUSING: 6/6 NYLON
4. MWID: MAXIMUM WIRE INSULATION DIAMETER
5. TAB DIMENSIONS CONFORM TO UL310 SPECIFICATIONS.
6. ASSEMBLY IS ROHS COMPLIANT

TYPO "D" DIMENSION EC NO: IFC2015-0139 DRAWN BY: JASO1 2014/07/21 CHKD: MACNEL 2014/07/21 APPR: MACNEL 2014/08/06 REV: A2	QUALITY SYMBOLS $\nabla=0$ $\nabla=0$	GENERAL TOLERANCES (UNLESS SPECIFIED)		DIMENSION STYLE IN/MM		SCALE 4:1	DESIGN UNITS INCH	THIRD ANGLE PROJECTION	
		4 PLACES \pm ---	\pm ---	mm	INCH	DRAWN BY: RCM DATE: 1990/05/11	TITLE AVIKRIMP FULLY INSULATED MALE TABS		
		3 PLACES \pm ---	\pm .005			CHECKED BY: RDEROSS DATE: 1990/05/11	MOLEX INCORPORATED		
		2 PLACES \pm 0.13	\pm .01			APPROVED BY: RDEROSS DATE: 1990/05/11	MATERIAL NO. SEE CHART	DOCUMENT NO. SD-19001-003	SHEET NO. 1 OF 1