

Excellent Integrated System Limited

Stocking Distributor

Click to view price, real time Inventory, Delivery & Lifecycle Information:

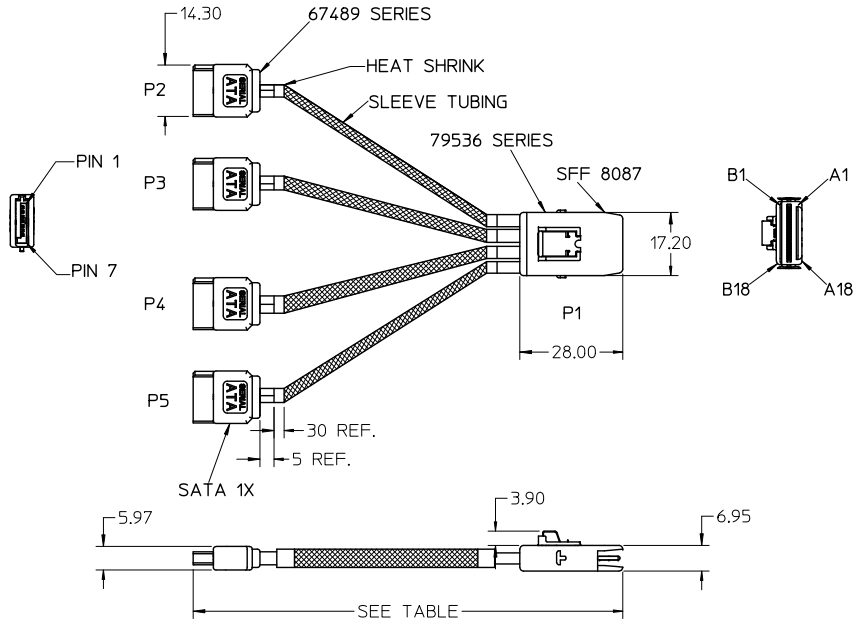
[Molex Connector Corporation](#)
[0795763007](#)

For any questions, you can email us directly:

sales@integrated-circuit.com

10 9 8 7 6 5 4 3 2 79576

MATERIAL #	APP	AWG	LENGTH(M)	TOL(+/-)	PIN OUT
79576-3000	IPASS ON BP	30	0.152	0.015	PIN OUT 1
79576-3001	IPASS ON BP	30	0.3	0.015	PIN OUT 1
79576-3002	IPASS ON BP	30	0.5	0.015	PIN OUT 1
79576-3006	IPASS ON BP	30	0.6	0.015	PIN OUT 1
79576-3007	IPASS ON BP	26	1	0.030	PIN OUT 1
79576-3008	IPASS ON CTRL	30	0.152	0.015	PIN OUT 2
79576-3009	IPASS ON CTRL	30	0.3	0.015	PIN OUT 2
79576-3003	IPASS ON CTRL	30	0.5	0.015	PIN OUT 2
79576-3004	IPASS ON CTRL	30	0.6	0.015	PIN OUT 2
79576-3005	IPASS ON CTRL	26	1	0.030	PIN OUT 2
79576-3010	IPASS ON CTRL	26	0.178	0.015	PIN OUT 2
79576-3011	IPASS ON CTRL	26	0.267	0.015	PIN OUT 2



- NOTES
- MATERIAL:
 - OVER MOLD - POLYPROPYLENE (PP), 94V-0 GLASS FILLED.
 - LATCH - STAINLESS STEEL ALLOY
 - CABLE - (8) 26 AWG PARALLEL PAIR, 100 OHM DIFFERENTIAL IMPEDANCE. INNER DIELECTRIC IS POLYOLEFIN AND OUTER JACKET IS ALUMINIZED POLYESTER FOIL.
 - PCB - FR4

- PRODUCT TO PERFORM PER
PRODUCT SPECIFICATION: PS-79536-001.
- PRODUCT SERIES 79536 MATES TO 75783 (RIGHT ANGLE), 75784 (VERTICAL).
- THIS PRODUCT CONFORMS TO THE MECHANICAL DIMENSIONING AND ELECTRICAL PERFORMANCE REQUIREMENTS OF SSF-8086 AND SSF-8087
- PIN OUT CONFORMS TO SAS 1.1 9.0D SECTION 5.2.4.1.3.3 F83

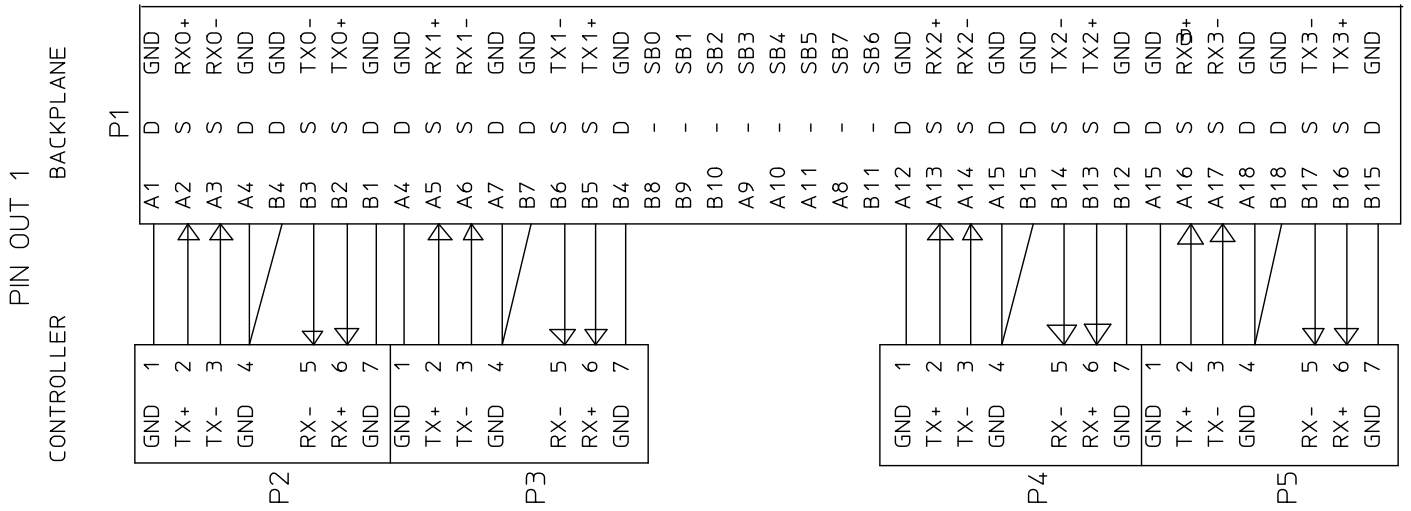
IPASS™ IS A TRADEMARK OF MOLEX

DOC HISTORY ONLY EC NO: USY201-0032 DRAWN BY: DRANKPHILLIPS 2005/08/23 CHECKED BY: HALL 2005/08/23 APPROVED BY: APPRODDITE 2010/08/16 REV: DESCRIPTION	QUALITY SYMBOLS	GENERAL TOLERANCES (UNLESS SPECIFIED)	DIMENSION STYLE MM/IN	SCALE 1:1	DESIGN UNITS METRIC	THIRD ANGLE PROJECTION																									
	$\nabla=0$ $\surd=0$	<table border="1"> <thead> <tr> <th></th> <th>mm</th> <th>INCH</th> </tr> </thead> <tbody> <tr> <td>4 PLACES</td> <td>± ---</td> <td>± ---</td> </tr> <tr> <td>3 PLACES</td> <td>± ---</td> <td>± .01</td> </tr> <tr> <td>2 PLACES</td> <td>± 0.25</td> <td>± ---</td> </tr> <tr> <td>1 PLACE</td> <td>± ---</td> <td>± ---</td> </tr> </tbody> </table>		mm	INCH	4 PLACES	± ---	± ---	3 PLACES	± ---	± .01	2 PLACES	± 0.25	± ---	1 PLACE	± ---	± ---	<table border="1"> <thead> <tr> <th>mm</th> <th>INCH</th> </tr> </thead> <tbody> <tr> <td>4 PLACES</td> <td>± ---</td> </tr> <tr> <td>3 PLACES</td> <td>± .01</td> </tr> <tr> <td>2 PLACES</td> <td>± 0.25</td> </tr> <tr> <td>1 PLACE</td> <td>± ---</td> </tr> </tbody> </table>	mm	INCH	4 PLACES	± ---	3 PLACES	± .01	2 PLACES	± 0.25	1 PLACE	± ---	DRAWN BY: KPHILLIPS DATE: 2005/08/23 CHECKED BY: THALL DATE: 2005/08/23 APPROVED BY: DDOYE DATE: 2005/08/23	TITLE	IPASS CABLE ASSY 36 CKT TO SATA FANOUT CABLE MOLEX INCORPORATED SD-79576-300 SHEET NO. 1 OF 3
		mm	INCH																												
	4 PLACES	± ---	± ---																												
3 PLACES	± ---	± .01																													
2 PLACES	± 0.25	± ---																													
1 PLACE	± ---	± ---																													
mm	INCH																														
4 PLACES	± ---																														
3 PLACES	± .01																														
2 PLACES	± 0.25																														
1 PLACE	± ---																														
DRAFT WHERE APPLICABLE MUST REMAIN WITHIN DIMENSIONS	ANGULAR ± 1°	MATERIAL NO. SEE CHART	DOCUMENT NO.																												
		SIZE B																													
		THIS DRAWING CONTAINS INFORMATION THAT IS PROPRIETARY TO MOLEX INCORPORATED AND SHOULD NOT BE USED WITHOUT WRITTEN PERMISSION																													

9 8 7 6 5 4 3 2 1

NOTE:

PIN OUT CONFORMS TO SAS 1.1 09D SECTION 5.2.3.2.3.3 FIG 83 AND SECTION 5.2.3.2.3.3 TBL 27



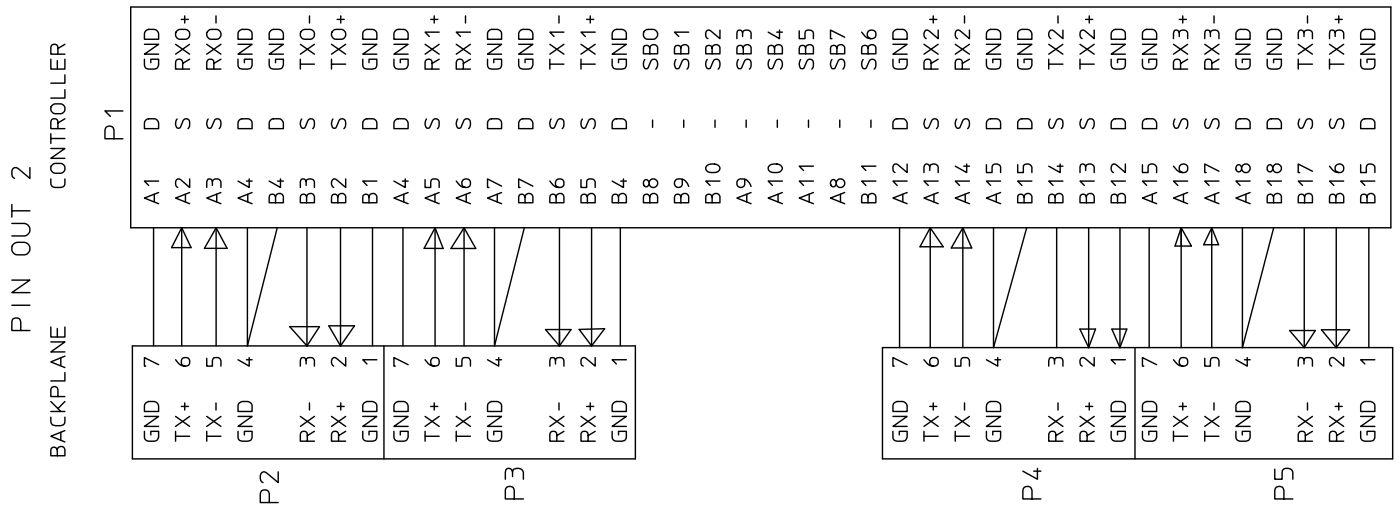
NOTE :

- 1) D = DRAIN WIRE
- S = SIGNAL WIRE

DOC HISTORY ONLY EC NO: USY2011-0032 DRAWN: KPHILLIPS 2005/08/23 CHKD: T. HALL 2005/08/23 APPR: DDOYE 2010/08/18 REV: D	QUALITY SYMBOLS = 0 = 0	GENERAL TOLERANCES (UNLESS SPECIFIED) <table border="1"> <tr> <td></td> <td>mm</td> <td>INCH</td> </tr> <tr> <td>4 PLACES</td> <td>± .005</td> <td>± .0004</td> </tr> <tr> <td>3 PLACES</td> <td>± .005</td> <td>± .0004</td> </tr> <tr> <td>2 PLACES</td> <td>± 0.25</td> <td>± .010</td> </tr> <tr> <td>1 PLACE</td> <td>± .005</td> <td>± .0004</td> </tr> </table>		mm	INCH	4 PLACES	± .005	± .0004	3 PLACES	± .005	± .0004	2 PLACES	± 0.25	± .010	1 PLACE	± .005	± .0004	DIMENSION STYLE MM/IN	SCALE 1:1	DESIGN UNITS METRIC	THIRD ANGLE PROJECTION
		mm	INCH																		
	4 PLACES	± .005	± .0004																		
	3 PLACES	± .005	± .0004																		
	2 PLACES	± 0.25	± .010																		
1 PLACE	± .005	± .0004																			
		DRAWN BY: KPHILLIPS DATE: 2005/08/23 CHECKED BY: THALL DATE: 2005/08/23 APPROVED BY: DDOYE DATE: 2005/08/23	TITLE IPASS CABLE ASSY 36 CKT TO SATA FANOUT CABLE																		
		MATERIAL NO. SEE CHART	MOLEX INCORPORATED			DOCUMENT NO. SD-79576-300	SHEET NO. 2 OF 3														
		DRAFT WHERE APPLICABLE MUST REMAIN WITHIN DIMENSIONS																			
		THIS DRAWING CONTAINS INFORMATION THAT IS PROPRIETARY TO MOLEX INCORPORATED AND SHOULD NOT BE USED WITHOUT WRITTEN PERMISSION																			

NOTE:

NON-STANDARD PIN OUT WITH SATA BACKPLANE CONNECTORS TWISTED



NOTE:

- 1) D = DRAIN WIRE
- S = SIGNAL WIRE

DOC HISTORY ONLY EC NO: USY2011-0032 DRAWN: PHILLIPS 2005/08/23 CHKD: T. HALL 2005/08/23 APPR: DDOYE 2010/08/18	QUALITY SYMBOLS = 0 = 0.25	GENERAL TOLERANCES (UNLESS SPECIFIED)		DIMENSION STYLE MM/IN	SCALE 1:1	DESIGN UNITS METRIC	THIRD ANGLE PROJECTION		
		4 PLACES	± ---	± ---	DRAWN BY KPHILLIPS	DATE 2005/08/23	TITLE IPASS CABLE ASSY 36 CKT TO SATA FANOUT CABLE MOLEX INCORPORATED		
		3 PLACES	± ---	± .01	CHECKED BY THALL	DATE 2005/08/23			
		2 PLACES	± 0.25	± ---	APPROVED BY DDOYE	DATE 2005/08/23			
1 PLACE	± ---	± ---	ANGULAR ± 1 °						
DRAFT WHERE APPLICABLE MUST REMAIN WITHIN DIMENSIONS				MATERIAL NO. SEE CHART	DOCUMENT NO. SD-79576-300	SHEET NO. 3 OF 3			
THIS DRAWING CONTAINS INFORMATION THAT IS PROPRIETARY TO MOLEX INCORPORATED AND SHOULD NOT BE USED WITHOUT WRITTEN PERMISSION									