



Distributor of Molex Connector Corporation: Excellent Integrated System Limited
Datasheet of 0190020024 - Connector Quick Connect Receptacle 14-16 AWG 0.250"
(6.35mm) Crimp

Contact us: sales@integrated-circuit.com Website: www.integrated-circuit.com

Excellent Integrated System Limited

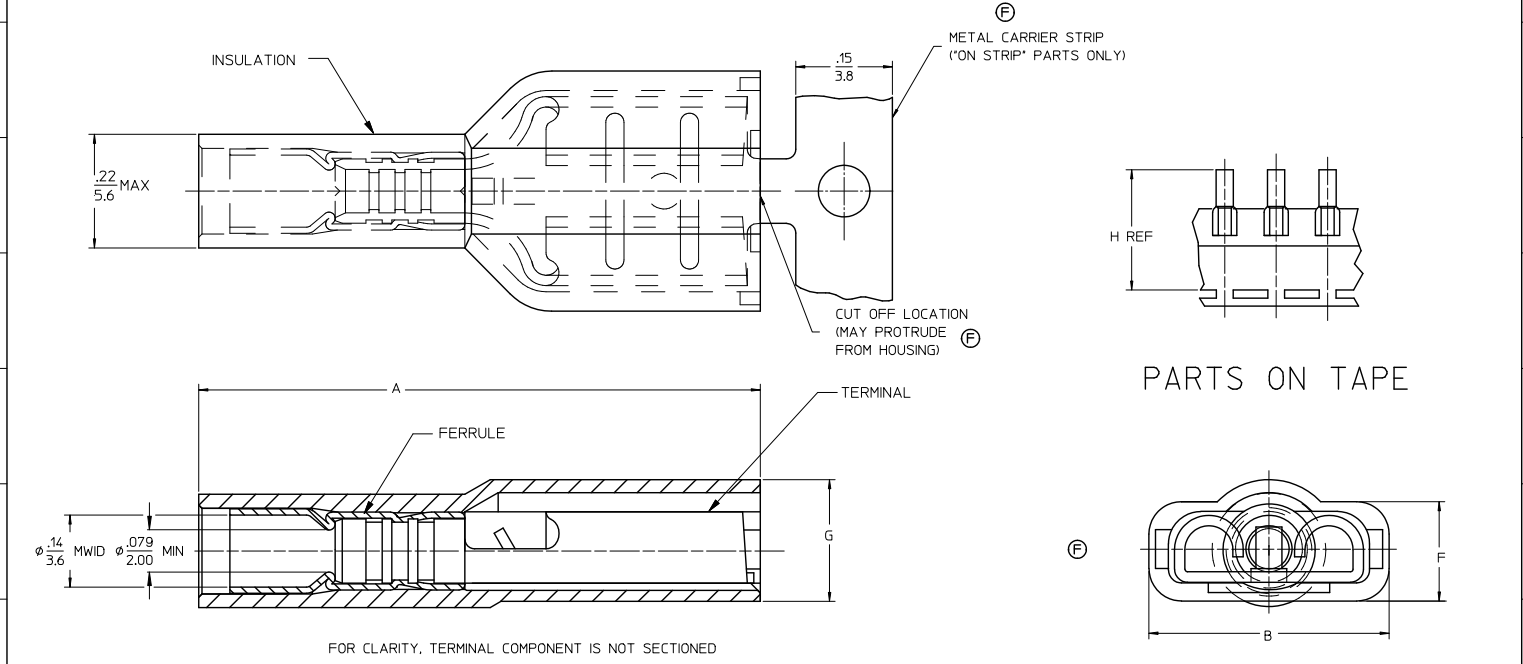
Stocking Distributor

Click to view price, real time Inventory, Delivery & Lifecycle Information:

[Molex Connector Corporation](#)
[0190020024](#)

For any questions, you can email us directly:
sales@integrated-circuit.com

MATERIAL NUMBER LOOSE PCS	ENGINEERING NUMBER LOOSE PCS	MATERIAL NUMBER ON STRIP	ENGINEERING NUMBER ON STRIP	MATERIAL NUMBER ON TAPE	ENGINEERING NUMBER ON TAPE	MATERIAL NUMBER REVERSE WOUND	ENGINEERING NUMBER REVERSE WOUND	ACCEPTS TAB SIZE	STOCK THICKNESS	"A" MAX	"B" MAX	"F" REF	"G" MAX	"H" REF
190020024	BB-5263	190020027	BB-5263Z	190020025	BB-5263T	190020026	BB-5263TR	.250x.032 (6.35x0.81)	.016/0.41	.89/22.6	.38/9.7	.16/4.1	.20/5.1	1.425/36.20
190020040	BB-5287	190020041	BB-5287Z	190020048	BB-5287T	---	---	.205x.020 (5.21x0.51)	.016/0.41	.80/20.3	.32/8.1	.16/4.1	.22/5.6	1.415/35.94
190020042	BB-5289	190020061	BB-5289Z	190020043	BB-5289T	---	---	.205x.032 (5.21x0.81)	.016/0.41	.80/20.3	.32/8.1	.16/4.1	.22/5.6	1.415/35.94
190020028	BB-5269	190020030	BB-5269Z	190020029	BB-5269T	---	---	.187x.020 (4.75x0.51)	.016/0.41	.80/20.3	.32/8.1	.16/4.1	.22/5.6	1.415/35.94
190020031	BB-5273	190020033	BB-5273Z	190020032	BB-5273T	---	---	.187x.032 (4.75x0.81)	.016/0.41	.80/20.3	.32/8.1	.16/4.1	.22/5.6	1.415/35.94
190020034	BB-5277	190020036	BB-5277Z	190020035	BB-5277T	---	---	.110x.020 (2.79x0.51)	.012/0.31	.80/20.3	.23/5.8	.13/3.3	.22/5.6	1.395/35.43
190020037	BB-5281	190020039	BB-5281Z	190020038	BB-5281T	---	---	.110x.032 (2.79x0.81)	.012/0.31	.80/20.3	.23/5.8	.13/3.3	.22/5.6	1.395/35.43



FOR CLARITY, TERMINAL COMPONENT IS NOT SECTIONED

SALES DRAWING

NOTES:

- MATERIAL: TERMINAL BRASS
TERMINAL PLATING: ELECTRO TIN
FERRULE: COPPER ALLOY (E)
FERRULE PLATING: ELECTRO TIN
INSULATION: NYLON 94V2, COLOR BLUE.
- MWID = MAXIMUM WIRE INSULATION DIAMETER
- ASSEMBLY IS ROHS COMPLIANT.

FERRULE MATL DESCR EC NO: WNA2009-0510 DRAWN: THRODHAL 2010/01/04 CHKD: MALONEIL 2010/01/05 APPR: MALONEIL 2010/01/05 REV DESCRIPTION	QUALITY SYMBOLS	GENERAL TOLERANCES (UNLESS SPECIFIED)	DIMENSION STYLE	SCALE	DESIGN UNITS	THIRD ANGLE PROJECTION	
	$\nabla=0$ $\nabla=0$	4 PLACES ± --- ± --- 3 PLACES ± --- ± .005 2 PLACES ± 0.13 ± .01 1 PLACE ± 0.25 ± --- ANGULAR ± 1/2°	IN/MM DRAWN BY: BENDERLE CHECKED BY: R DEROSS APPROVED BY: R DEROSS	DATE: 2005/04/11 DATE: 2005/04/11 DATE: 2005/04/11	1:1	INCH	AVIKRIMP FEMALE FIQD 16-14 AWG
	DRAFT WHERE APPLICABLE MUST REMAIN WITHIN DIMENSIONS	SEE CHART THIS DRAWING CONTAINS INFORMATION THAT IS PROPRIETARY TO MOLEX INCORPORATED AND SHOULD NOT BE USED WITHOUT WRITTEN PERMISSION	MATERIAL NO. SD-19002-004	DOCUMENT NO. SD-19002-004	MOLEX INCORPORATED		SHEET NO. 1 OF 1