

## Excellent Integrated System Limited

Stocking Distributor

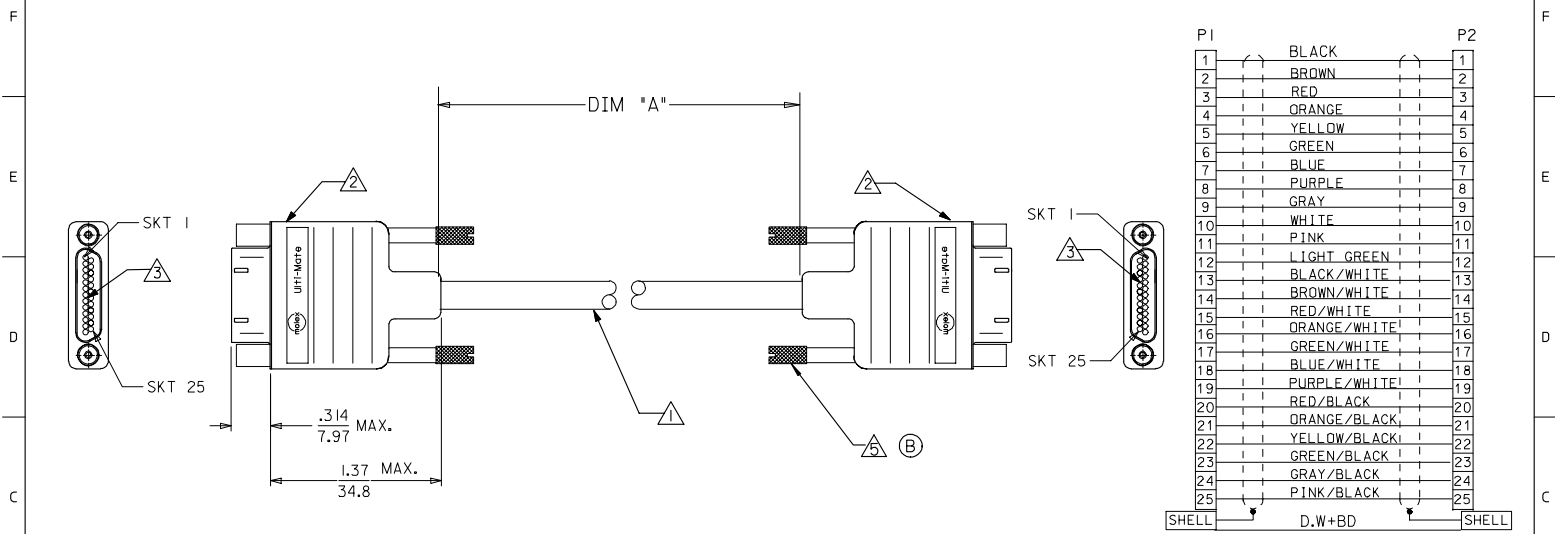
Click to view price, real time Inventory, Delivery & Lifecycle Information:

[Molex Connector Corporation](#)  
[0834249206](#)

For any questions, you can email us directly:

[sales@integrated-circuit.com](mailto:sales@integrated-circuit.com)

10	9	8	7	6	5	4	3	2	83424
MATERIAL NO.	ENGINEERING NO.	DIM 'A' INCH	DIM 'A' MM						
834249206	83424-9206	63.0 +2.0 -0	1600.0 +50.8 -0						



SALES DRAWING

- NOTE: UNLESS OTHERWISE SPECIFIED
- ▲ CABLE, UL 2464, 28AWG TINNED, COPPER 25 STRAND PVC JACKET COLOR: BLACK.
  - ▲ MOLEX COMMERCIAL MICRO D MATERIAL NO: 834249014.
  - ▲ MOLEX TERMINAL SOCKET MATERIAL NO: 830009502.
  - 4. REFER TO PS-83421-9000 FOR PRODUCT SPEC.
  - REFER TO DWG E-83421-001 FOR ASS'Y INSTRUCTION.
  - ▲ JACKSCREWS 830410154.
  - 6. ASSEMBLY IS RoHS COMPLIANT.

5mm SHORTER JACKSCREWS EC NO: ETC2007-0222 DRAWN: BROWNO 2006/12/07 CHKD: J. MACNEIL 2006/12/08 APPR: J. MACNEIL 2006/12/13	QUALITY SYMBOLS ▽=0 ▽=0	GENERAL TOLERANCES (UNLESS SPECIFIED)		DIMENSION STYLE IN/MM		SCALE ---	DESIGN UNITS INCH	THIRD ANGLE PROJECTION	
				DRAWN BY JLOMASTRO	DATE 05/10/27	TITLE COMM. MICRO D 25 POS DOUBLE ENDED			
				CHECKED BY	DATE	MOLEX INCORPORATED			
				APPROVED BY RDEROSS	DATE 05/10/27				
		DRAFT WHERE APPLICABLE MUST REMAIN WITHIN DIMENSIONS		MATERIAL NO. SEE CHART		DOCUMENT NO. SD-83424-012		SHEET NO. 1 OF 1	